



Power Supplies

Архангельск (8182)63-90-72
Астана (7172)727-132
Астрахань (8512)99-46-04
Барнаул (3852)73-04-60
Белгород (4722)40-23-64
Брянск (4832)59-03-52
Владивосток (423)249-28-31
Волгоград (844)278-03-48
Вологда (8172)26-41-59
Воронеж (473)204-51-73
Екатеринбург (343)384-55-89
Иваново (4932)77-34-06

Ижевск (3412)26-03-58
Иркутск (395)279-98-46
Казань (843)206-01-48
Калининград (4012)72-03-81
Калуга (4842)92-23-67
Кемерово (3842)65-04-62
Киров (8332)68-02-04
Краснодар (861)203-40-90
Красноярск (391)204-63-61
Курск (4712)77-13-04
Липецк (4742)52-20-81

Киргизия (996)312-96-26-47

Магнитогорск (3519)55-03-13
Москва (495)268-04-70
Мурманск (8152)59-64-93
Набережные Челны (8552)20-53-41
Нижний Новгород (831)429-08-12
Новокузнецк (3843)20-46-81
Новосибирск (383)227-86-73
Омск (3812)21-46-40
Орел (4862)44-53-42
Оренбург (3532)37-68-04
Пенза (8412)22-31-16

Россия (495)268-04-70

Пермь (342)205-81-47
Ростов-на-Дону (863)308-18-15
Рязань (4912)46-61-64
Самара (846)206-03-16
Санкт-Петербург (812)309-46-40
Саратов (845)249-38-78
Севастополь (8692)22-31-93
Симферополь (3652)67-13-56
Смоленск (4812)29-41-54
Сочи (862)225-72-31
Ставрополь (8652)20-65-13

Казахстан (772)734-952-31

Сургут (3462)77-98-35
Тверь (4822)63-31-35
Томск (3822)98-41-53
Тула (4872)74-02-29
Тюмень (3452)66-21-18
Ульяновск (8422)24-23-59
Уфа (347)229-48-12
Хабаровск (4212)92-98-04
Челябинск (351)202-03-61
Череповец (8202)49-02-64
Ярославль (4852)69-52-93

balluff.nt-rt.ru || bfd@nt-rt.ru



Reliable and efficient power supply

SWITCHING POWER SUPPLIES



Balluff offers high-performance power supplies to ensure that your systems run efficiently and without interference. Our power supplies for the control cabinet withstand overload and have especially long service life: up to 800,000 hours (91 years) to ensure the availability of your machines and equipment.

Our power supplies with the Heartbeat® function provide continuous function information about the internal device condition and indicate the current load situation and demand on the internal components. And the Lifetime display gives you warning for preventive maintenance. The diagnostics function can be applied anywhere in the system via IO-Link.

All the devices are available in several versions and output voltages. Heartbeat® versions for use directly in harsh environments are also available in IP67.

The most important benefits

- Complete line – everything from a single source
- Safety in case of short circuits and overloads in industrial environments
- Long service life for reliable operation
- High system availability of all equipment
- Comprehensive approval packages for global use

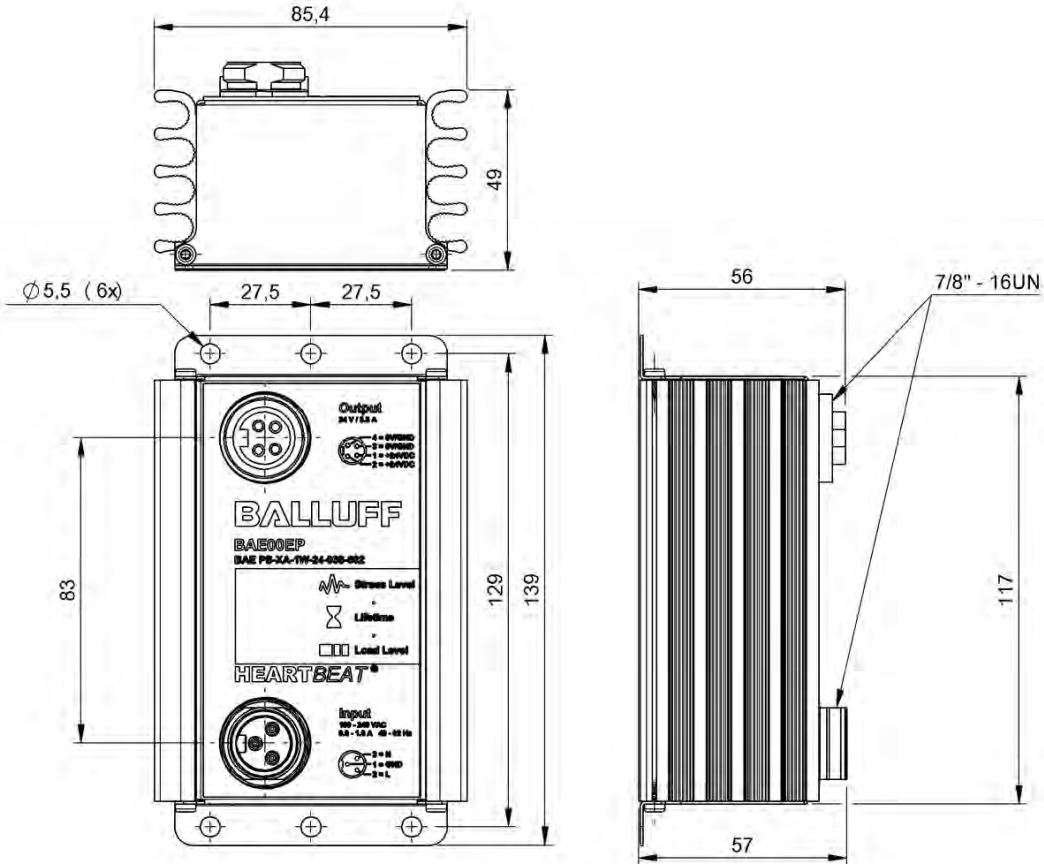
Heartbeat® Power Supply Units	226
Heartbeat® Power Supplies with IO-Link Interface	230
Power Supplies for the Control Cabinet	236
Basics and Glossary	242



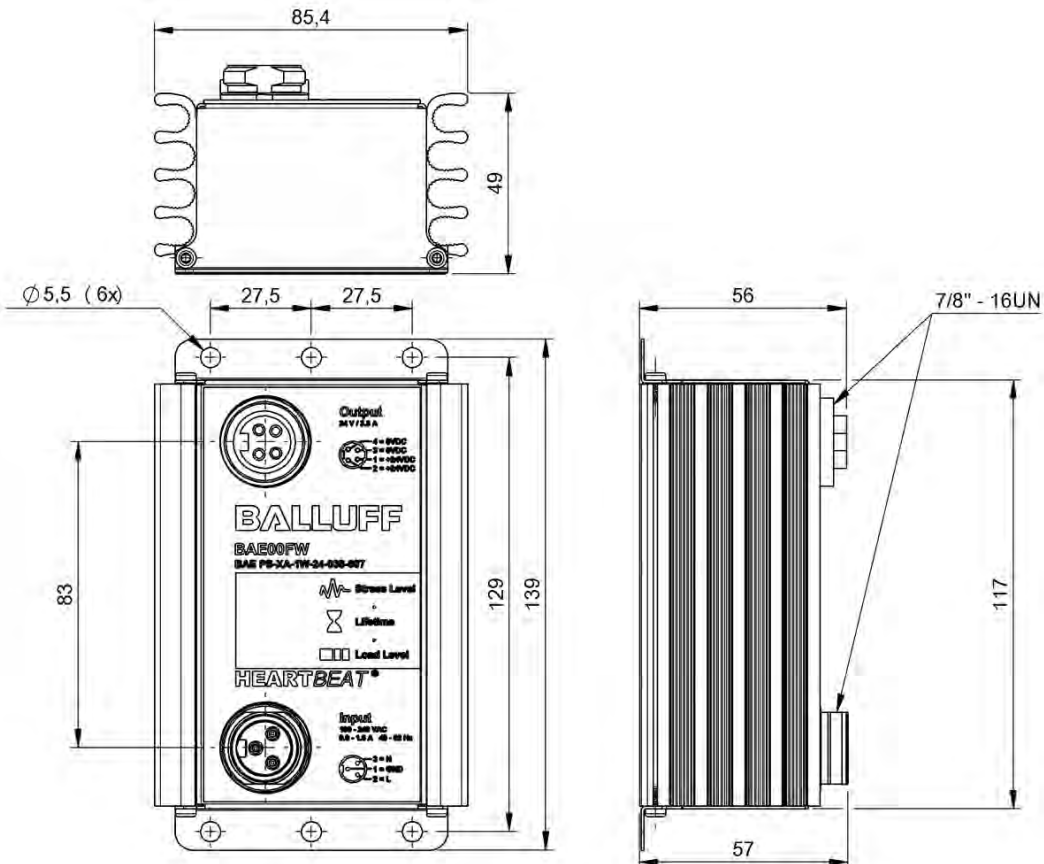
	BAE00EP BAE PS-XA-1W-24-038-602	
Dimension	85.4 x 57 x 139 mm	
Version	IP67	
Mounting	Flange mounting	
Housing material	Aluminum	
Connection (supply voltage IN)	7/8"-Male	
Connection (supply voltage OUT)	7/8"-Female	
Input voltage	100...240 V AC, Single phase	
Rated output voltage DC	24 V	
Rated output current	3.8 A	
Output capacity max.	91.2 W	
Output current max.	6 A for max. 4s	
Protection degree	IP67 with connector	
Approval/Conformity	CE, cURus	
Ambient temperature	-25...70 °C	
Productview	Seite 228	



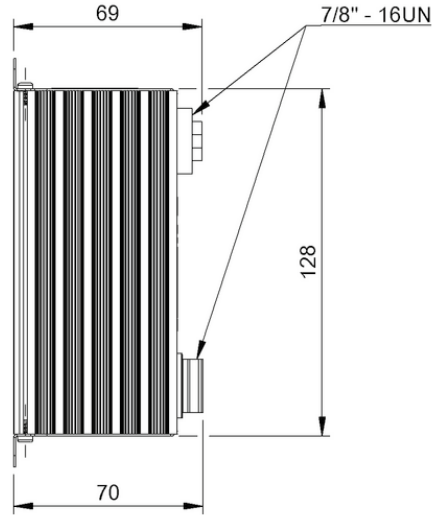
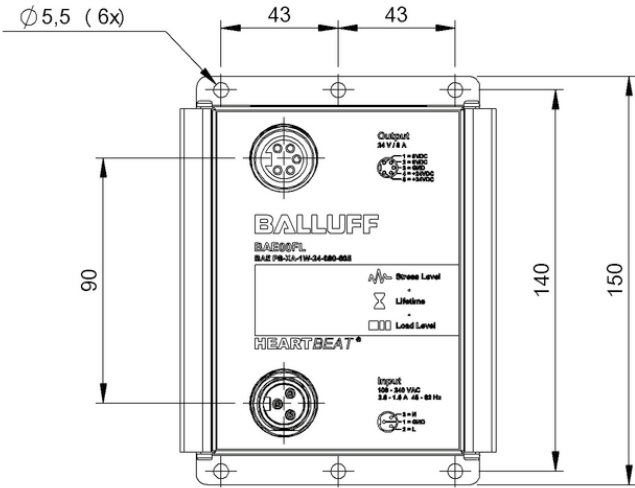
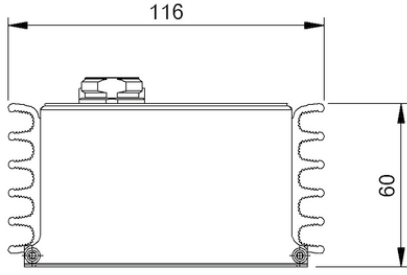
BAE00FW BAE PS-XA-1W-24-038-607	BAE00FL BAE PS-XA-1W-24-080-605	BAE00FY BAE PS-XA-1W-24-080-606
85.4 x 57 x 139 mm	116 x 70 x 150 mm	116 x 70 x 150 mm
IP67	IP67	IP67
Flange mounting	Flange mounting	Flange mounting
Aluminum	Aluminum	Aluminum
7/8"-Male	7/8"-Male	7/8"-Male
7/8"-Female	7/8"-Female	7/8"-Female
100...240 V AC, Single phase	100...240 V AC, Single phase	100...240 V AC, Single phase
24 V	24 V	24 V
3.8 A	8 A	8 A
91.2 W	192 W	192 W
6 A for max. 4s	12 A for max. 4s	12 A for max. 4s
IP67 with connector	IP67 with connector	IP67 with connector
CE, cURus	CE, cURus	CE, cURus
-25...70 °C	-25...70 °C	-25...70 °C
Seite 228	Seite 229	Seite 229



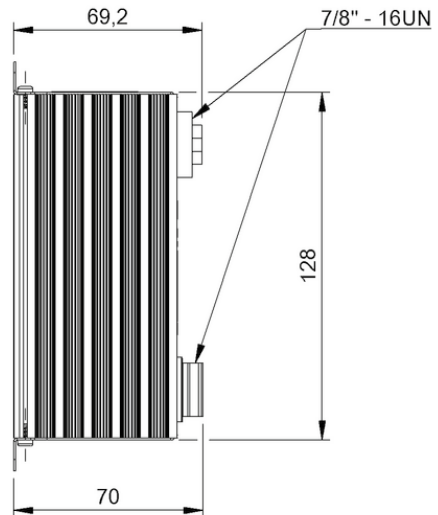
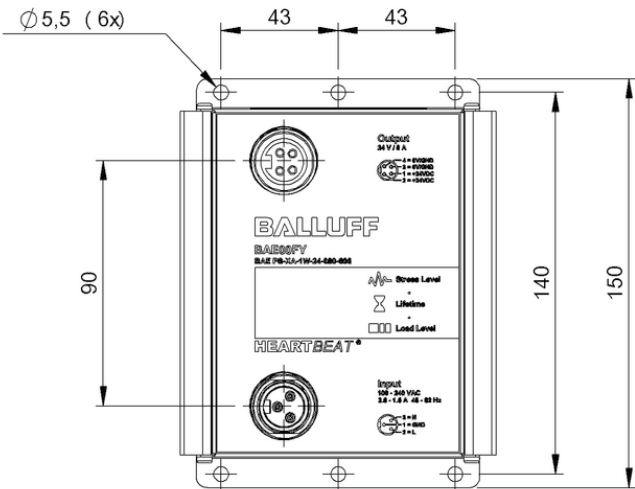
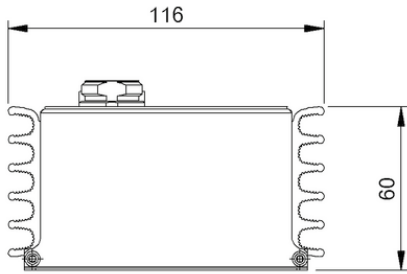
BAE00EP



BAE00FW



BAE00FL



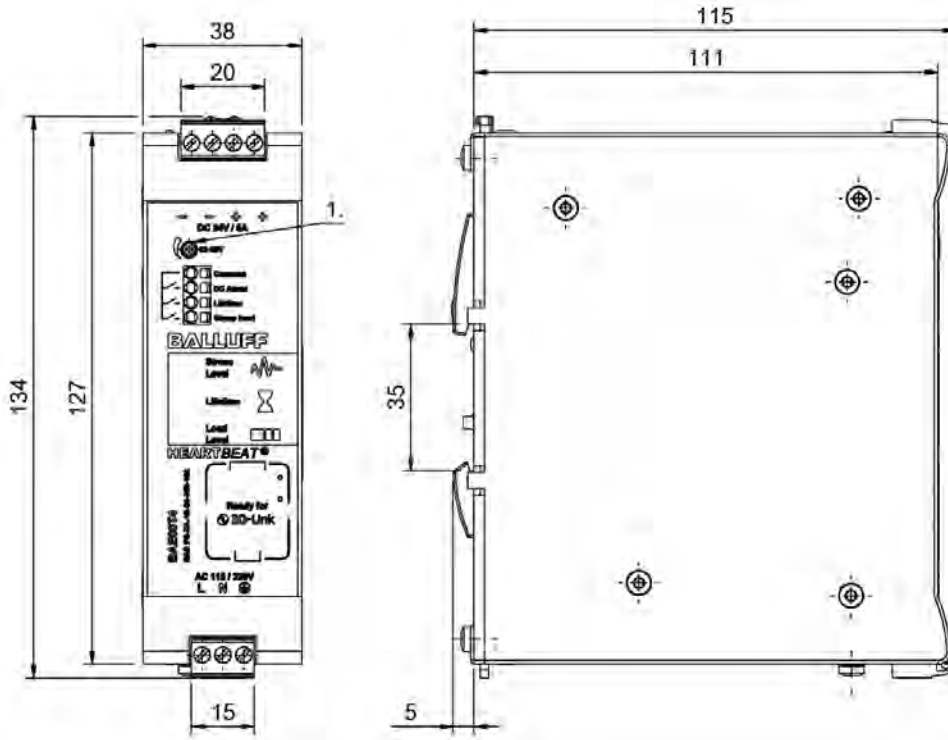
BAE00FY



	BAE00T4 BAE PS-XA-1S-24-050-102	BAE00LJ BAE PS-XA-1S-24-100-103	BAE00M3 BAE PS-XA-1S-24-200-104	
Dimension	38 x 127 x 120 mm	60 x 127 x 127 mm	79 x 127 x 139 mm	
Version	DIN rail	DIN rail	DIN rail	
Mounting	DIN rail mount	DIN rail mount	DIN rail mount	
Housing material	Aluminum	Aluminum	Aluminum	
Connection (supply voltage IN)	Terminal strip	Terminal strip	Terminal strip	
Connection (supply voltage OUT)	Terminal strip	Terminal strip	Terminal strip	
Input voltage	115/230 V AC automatic selection, Single phase	115/230 V AC automatic selection, Single phase	115/230 V AC automatic selection, Single phase	
Rated output voltage DC	24 V	24 V	24 V	
Rated output current	5 A	10 A	20 A	
Output capacity max.	180 W	360 W	720 W	
Output current max.	7.5 A for max. 4s 1x/min.	15 A for max. 4s 1x/min.	30 A for max. 4s 1x/min.	
Protection degree	IP20	IP20	IP20	
Approval/Conformity	CE, CB, cURus, cULus	CE, CB, cURus, cULus	CE	
Ambient temperature	-25...70 °C	-25...70 °C	-25...60 °C	
Productview	Seite 232	Seite 232	Seite 233	

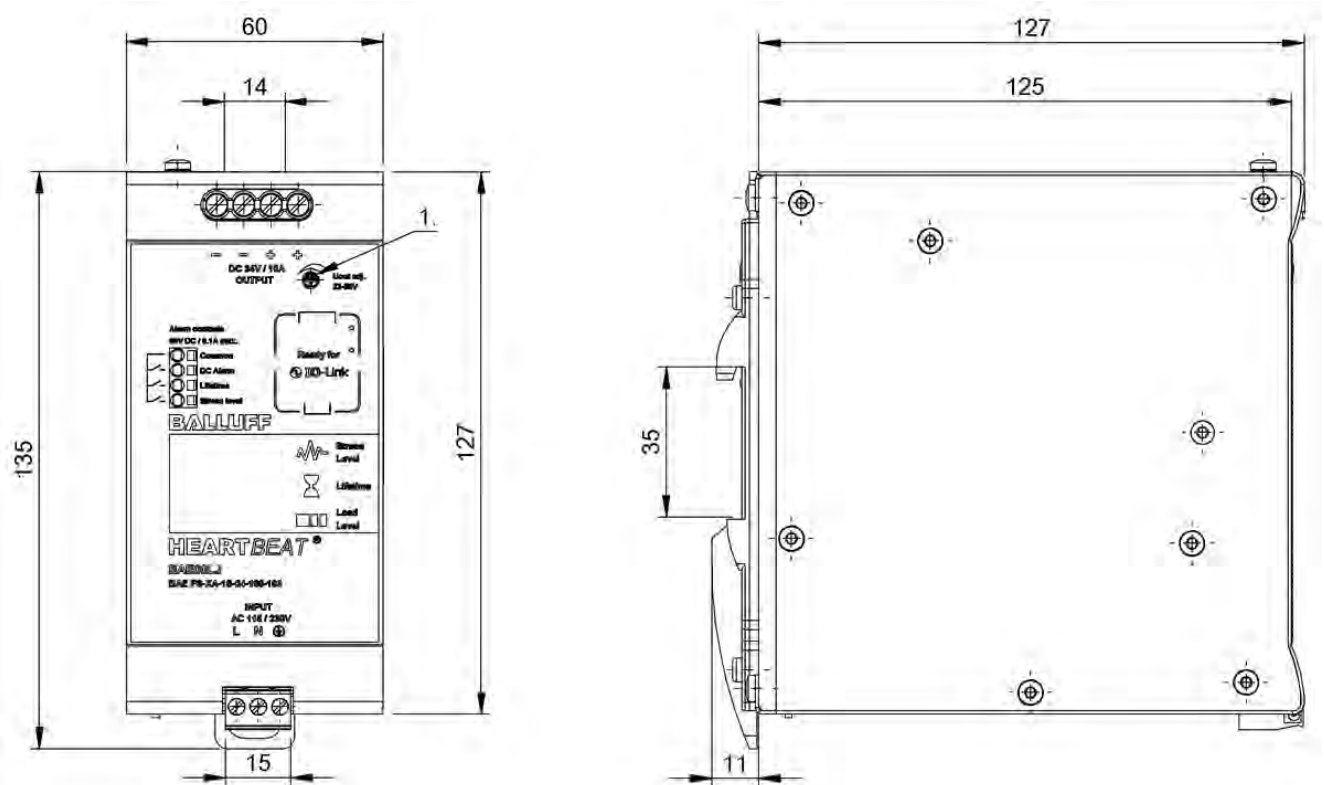


	BAE00TR BAE PS-XA-1W-24-025-101	BAE00TJ BAE PS-XA-1W-24-038-602-I	BAE00TK BAE PS-XA-1W-24-038-603-I	BAE00TL BAE PS-XA-1W-24-080-604-I	BAE00TM BAE PS-XA-1W-24-080-605-I
	24 x 127 x 92 mm	85.4 x 72.6 x 139 mm	85.4 x 72.6 x 139 mm	116 x 85 x 150 mm	116 x 85 x 150 mm
	DIN rail	IP67	IP67	IP67	IP67
	DIN rail mount	Flange mounting	Flange mounting	Flange mounting	Flange mounting
	Aluminum	Aluminum PC	Aluminum PC	Aluminum PC	Aluminum PC
	Terminal strip	7/8"-Male	7/8"-Male	7/8"-Male	7/8"-Male
	Terminal strip	7/8"-Female	7/8"-Female	7/8"-Female	7/8"-Female
	100...240 V AC, Single phase	100...240 V AC, Single phase	100...240 V AC, Single phase	100...240 V AC, Single phase	100...240 V AC, Single phase
	24 V	24 V	24 V	24 V	24 V
	2.5 A	3.8 A	3.8 A	8 A	8 A
	90 W	91.2 W	91.2 W	192 W	192 W
	3.75 A for max. 4s 1x/min.	6 A for max. 4s	6 A for max. 4s	12 A for max. 4s	12 A for max. 4s
	IP20	IP67 with connector	IP67 with connector	IP67 with connector	IP67 with connector
	CE, CB, cURus, cULus	CE, cURus, IO-Link	CE, cURus, IO-Link	CE, cURus, IO-Link	CE, cURus, IO-Link
	-25...70 °C	-25...70 °C	-25...70 °C	-25...70 °C	-25...70 °C
	Seite 233	Seite 234	Seite 234	Seite 235	Seite 235



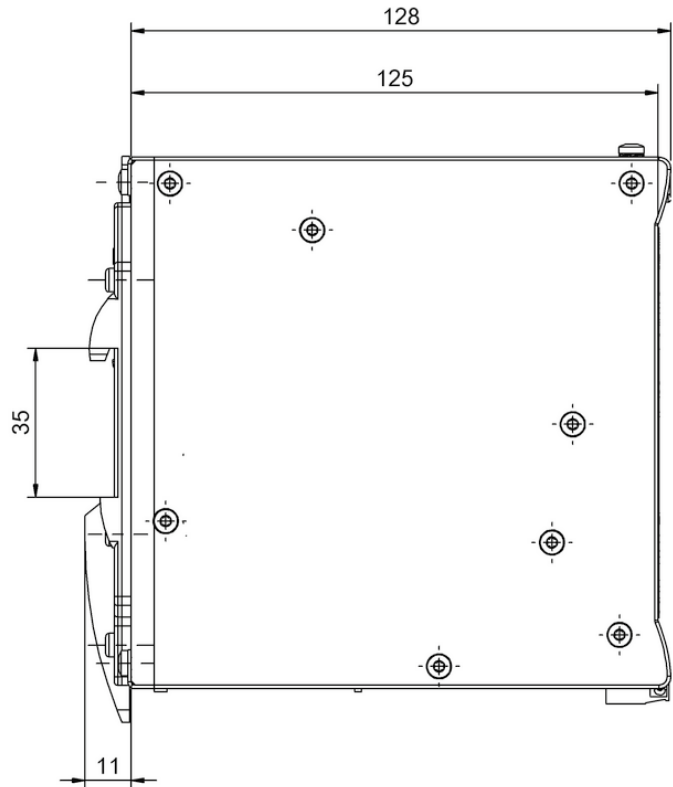
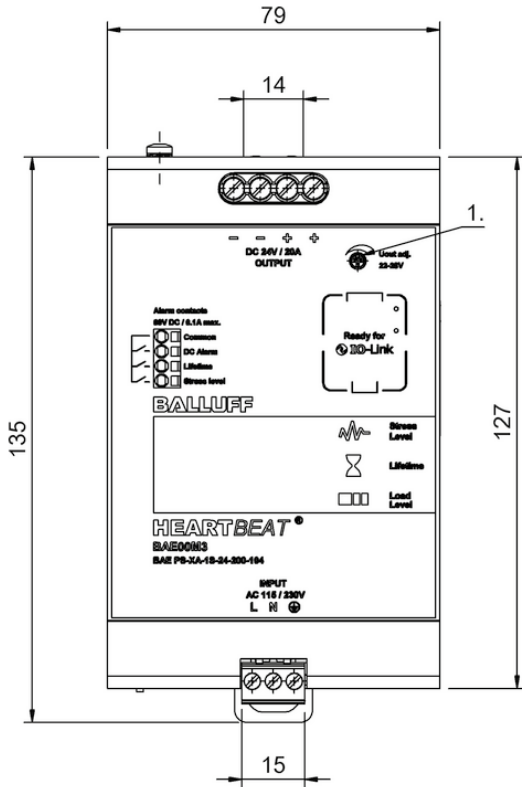
1) Potentiometer

BAE00T4



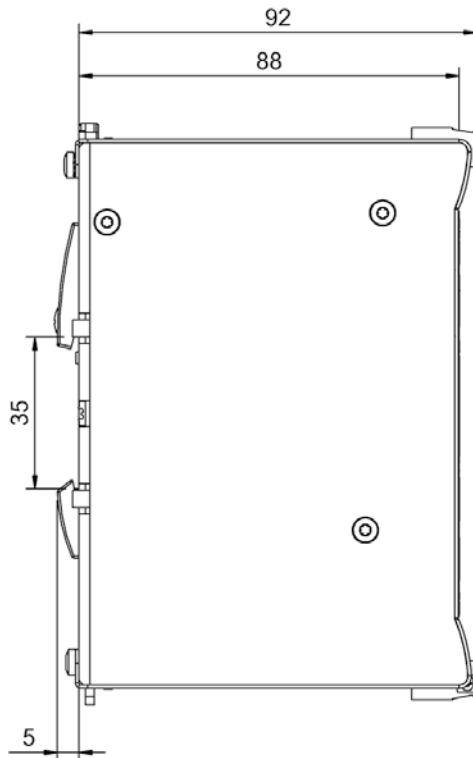
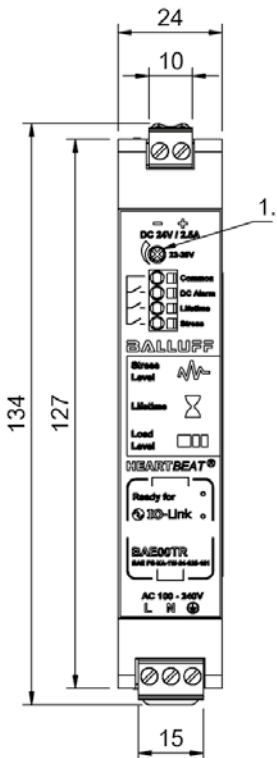
1) Potentiometer

BAE00LJ



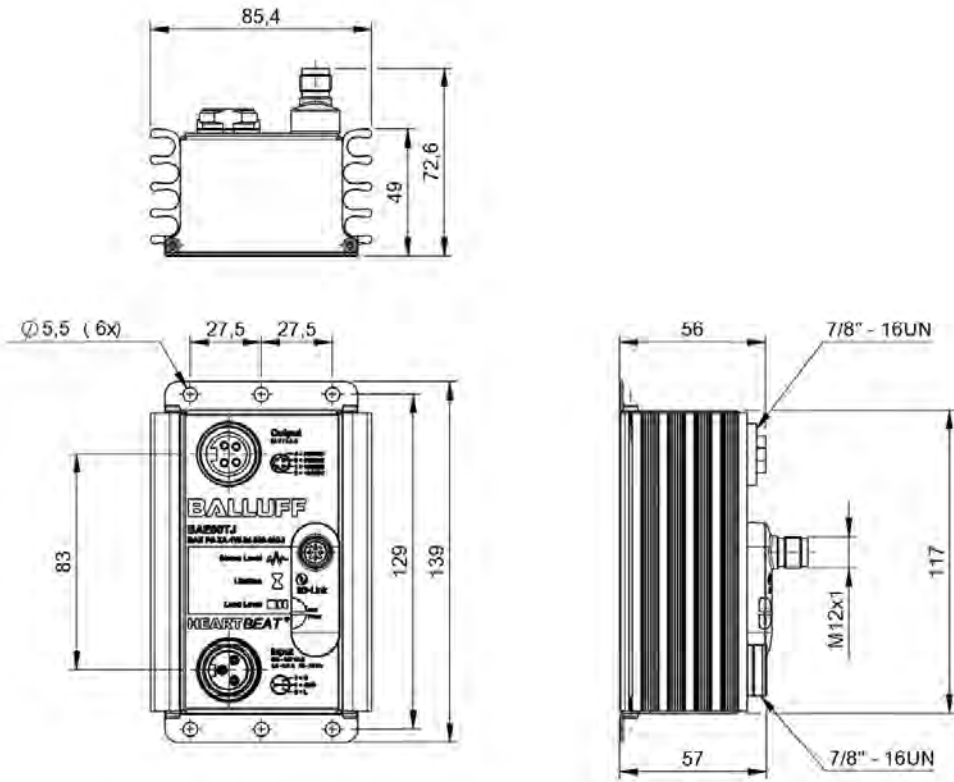
1) Potentiometer

BAE00M3

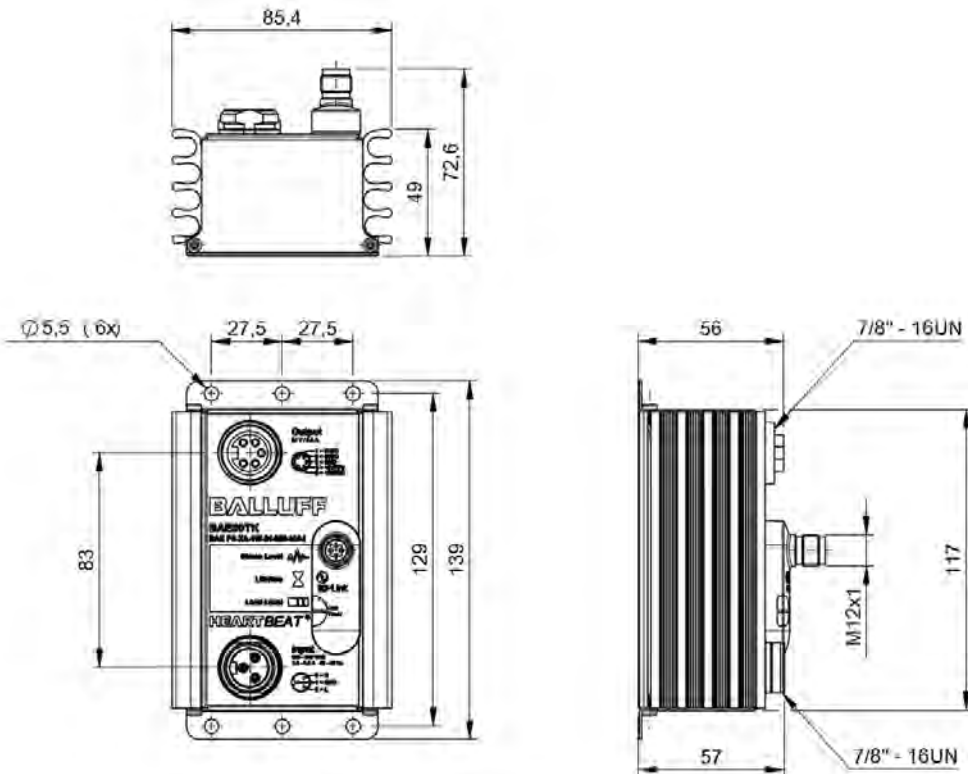


1) Potentiometer

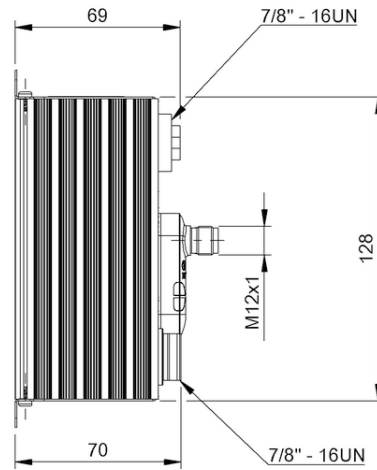
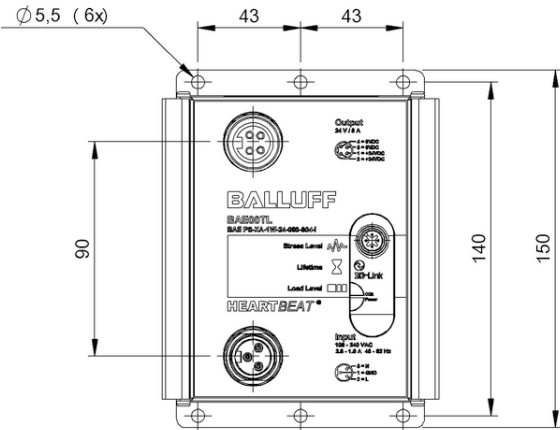
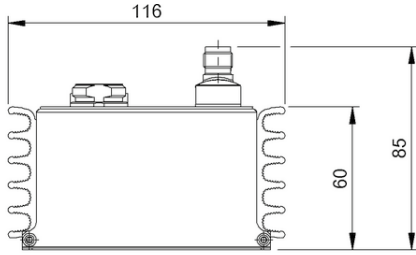
BAE00TR



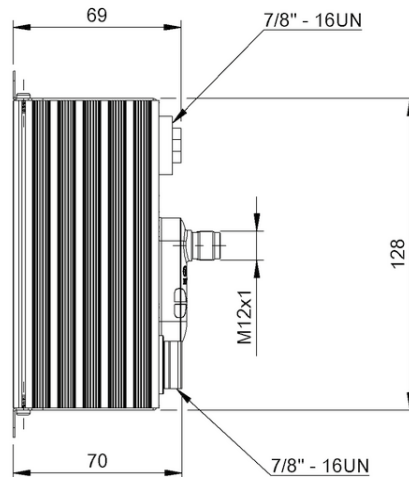
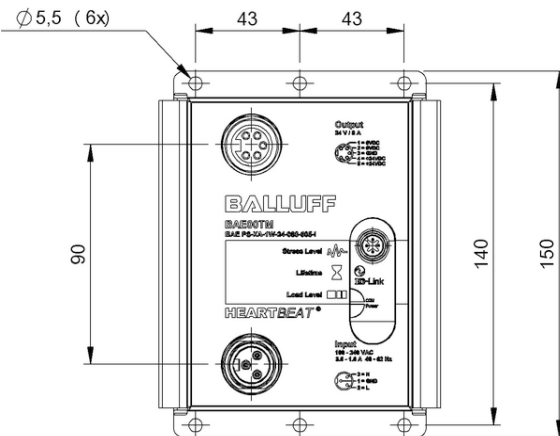
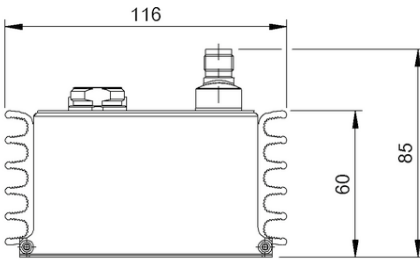
BAE00TJ



BAE00TK



BAE00TL



BAE00TM



	BAE0111 BAE PS-XA-1W-24-025-016	BAE0112 BAE PS-XA-1W-24-050-017	BAE0113 BAE PS-XA-1W-24-100-018	
Dimension	27 x 123.6 x 102 mm	40 x 123.6 x 117.6 mm	60 x 123.6 x 117.6 mm	
Version	DIN rail	DIN rail	DIN rail	
Mounting	DIN rail mount	DIN rail mount	DIN rail mount	
Housing material	Plastic	Metal	Metal	
Connection	Terminal, 0.25...2.5 mm ²	Terminal, 0.25...4 mm ²	Terminal, 0.25...4 mm ²	
Input voltage	100...240 V AC, 1-phase	100...240 V AC, 1-phase	100...240 V AC, 1-phase	
Rated output voltage DC	24 V	24 V	24 V	
Rated output current	3.12 A	5 A	10 A	
IP rating	IP20	IP20	IP20	
Approval/Conformity	CE, EAC, cURus, cULus, WEEE	CE, EAC, cURus, cULus, WEEE	CE, EAC, cURus, cULus, WEEE	
Ambient temperature	-20...70 °C	-20...70 °C	-20...70 °C	
Productview	Seite 238	Seite 238	Seite 239	



	BAE0114 BAE PS-XA-1W-24-200-019	BAE0115 BAE PS-XA-3Y-24-050-020	BAE0116 BAE PS-XA-3Y-24-100-021	BAE0117 BAE PS-XA-3Y-24-200-022	BAE0118 BAE PS-XA-3Y-24-400-023
	85.5 x 123.6 x 128.5 mm	50 x 121 x 117.3 mm	70 x 121 x 117.3 mm	140 x 121 x 117.3 mm	255 x 121 x 117.3 mm
	DIN rail	DIN rail	DIN rail	DIN rail	DIN rail
	DIN rail mount	DIN rail mount	DIN rail mount	DIN rail mount	DIN rail mount
	Metal	Metal	Metal	Metal	Metal
	Terminal, 0.25...4 mm ²	Terminal, 0.25 mm ² ...4 mm ² , 0.5 mm ² ...10 mm ²	Terminal, 0.25...4 mm ²	Terminal, 0.25...4 mm ²	Terminal, 0.25 mm ² ...4 mm ² , 0.5 mm ² ...10 mm ²
	100...240 V AC, 1-phase	400...500 V AC 3-phase	400...500 V AC 3-phase	400...500 V AC 3-phase	400...500 V AC 3-phase
	24 V	24 V	24 V	24 V	24 V
	20 A	5 A	10 A	20 A	40 A
	IP20	IP20	IP20	IP20	IP20
	CE, EAC, cURus, cULus, WEEE	CE, EAC, cURus, cULus, WEEE	CE, EAC, cURus, cULus, WEEE	CE, EAC, cURus, cULus, WEEE	CE, EAC, cURus, cULus, WEEE
	-20...70 °C	-25...80 °C	-25...80 °C	-25...80 °C	-25...80 °C
	Seite 239	Seite 240	Seite 240	Seite 241	Seite 241

Архангельск (8182)63-90-72
 Астана (7172)727-132
 Астрахань (8512)99-46-04
 Барнаул (3852)73-04-60
 Белгород (4722)40-23-64
 Брянск (4832)59-03-52
 Владивосток (423)249-28-31
 Волгоград (844)278-03-48
 Вологда (8172)26-41-59
 Воронеж (473)204-51-73
 Екатеринбург (343)384-55-89
 Иваново (4932)77-34-06

Ижевск (3412)26-03-58
 Иркутск (395)279-98-46
 Казань (843)206-01-48
 Калининград (4012)72-03-81
 Калуга (4842)92-23-67
 Кемерово (3842)65-04-62
 Киров (8332)68-02-04
 Краснодар (861)203-40-90
 Красноярск (391)204-63-61
 Курск (4712)77-13-04
 Липецк (4742)52-20-81

Киргизия (996)312-96-26-47

Магнитогорск (3519)55-03-13
 Москва (495)268-04-70
 Мурманск (8152)59-64-93
 Набережные Челны (8552)20-53-41
 Нижний Новгород (831)429-08-12
 Новокузнецк (3843)20-46-81
 Новосибирск (383)227-86-73
 Омск (3812)21-46-40
 Орел (4862)44-53-42
 Оренбург (3532)37-68-04
 Пенза (8412)22-31-16

Россия (495)268-04-70

Пермь (342)205-81-47
 Ростов-на-Дону (863)308-18-15
 Рязань (4912)46-61-64
 Самара (846)206-03-16
 Санкт-Петербург (812)309-46-40
 Саратов (845)249-38-78
 Севастополь (8692)22-31-93
 Симферополь (3652)67-13-56
 Смоленск (4812)29-41-54
 Сочи (862)225-72-31
 Ставрополь (8652)20-65-13

Казахстан (772)734-952-31

Сургут (3462)77-98-35
 Тверь (4822)63-31-35
 Томск (3822)98-41-53
 Тула (4872)74-02-29
 Тюмень (3452)66-21-18
 Ульяновск (8422)24-23-59
 Уфа (347)229-48-12
 Хабаровск (4212)92-98-04
 Челябинск (351)202-03-61
 Череповец (8202)49-02-64
 Ярославль (4852)69-52-93