



# Connectivity

**Архангельск** (8182)63-90-72  
**Астана** (7172)727-132  
**Астрахань** (8512)99-46-04  
**Барнаул** (3852)73-04-60  
**Белгород** (4722)40-23-64  
**Брянск** (4832)59-03-52  
**Владивосток** (423)249-28-31  
**Волгоград** (844)278-03-48  
**Вологда** (8172)26-41-59  
**Воронеж** (473)204-51-73  
**Екатеринбург** (343)384-55-89  
**Иваново** (4932)77-34-06

**Ижевск** (3412)26-03-58  
**Иркутск** (395)279-98-46  
**Казань** (843)206-01-48  
**Калининград** (4012)72-03-81  
**Калуга** (4842)92-23-67  
**Кемерово** (3842)65-04-62  
**Киров** (8332)68-02-04  
**Краснодар** (861)203-40-90  
**Красноярск** (391)204-63-61  
**Курск** (4712)77-13-04  
**Липецк** (4742)52-20-81

**Киргизия** (996)312-96-26-47

**Магнитогорск** (3519)55-03-13  
**Москва** (495)268-04-70  
**Мурманск** (8152)59-64-93  
**Набережные Челны** (8552)20-53-41  
**Нижний Новгород** (831)429-08-12  
**Новокузнецк** (3843)20-46-81  
**Новосибирск** (383)227-86-73  
**Омск** (3812)21-46-40  
**Орел** (4862)44-53-42  
**Оренбург** (3532)37-68-04  
**Пенза** (8412)22-31-16

**Россия** (495)268-04-70

**Пермь** (342)205-81-47  
**Ростов-на-Дону** (863)308-18-15  
**Рязань** (4912)46-61-64  
**Самара** (846)206-03-16  
**Санкт-Петербург** (812)309-46-40  
**Саратов** (845)249-38-78  
**Севастополь** (8692)22-31-93  
**Симферополь** (3652)67-13-56  
**Смоленск** (4812)29-41-54  
**Сочи** (862)225-72-31  
**Ставрополь** (8652)20-65-13

**Казахстан** (772)734-952-31

**Сургут** (3462)77-98-35  
**Тверь** (4822)63-31-35  
**Томск** (3822)98-41-53  
**Тула** (4872)74-02-29  
**Тюмень** (3452)66-21-18  
**Ульяновск** (8422)24-23-59  
**Уфа** (347)229-48-12  
**Хабаровск** (4212)92-98-04  
**Челябинск** (351)202-03-61  
**Череповец** (8202)49-02-64  
**Ярославль** (4852)69-52-93

[balluff.nt-rt.ru](mailto:balluff.nt-rt.ru) || [bfd@nt-rt.ru](mailto:bfd@nt-rt.ru)



		BCC M313 ...	
Connection		M8 female, A-coded	
Version		straight	
Rated voltage	No LED	60 V AC/DC	
	with LED	30 V DC	
Rated current		4 A	
Degree of protection	unshielded	IP67, IP69K	
	shielded	IP67	
unshielded, no LED		BCC M313-0000-10-001-_____①-___②	
unshielded, 2 × PNP-LED		BCC M313-0000-10-004-_____①-___②	
unshielded, 2 × NPN-LED		-	
shielded, no LED		BCC M313-0000-10-036-_____①-___②	
Approval/Conformity		CE, UL, EAC	
For drawing see page		148	

**M8 female**



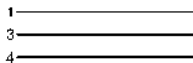
PIN 1: brown  
PIN 3: blue  
PIN 4: black

**M8 male**

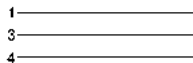


PIN 1: brown  
PIN 3: blue  
PIN 4: black

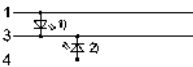
**unshielded, no LED**



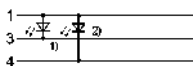
**unshielded, no LED**



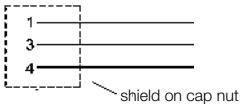
**unshielded, 2 × PNP-LED\***



**unshielded, 2 × NPN-LED\***



**shielded, no LED**



\* 1) LED green = Power  
2) LED yellow = Function



BCC M313 ...	BCC M323 ...	BCC M323 ...
M8 male, A-coded	M8 female, A-coded	M8 male, A-coded
straight	angled	angled
60 V AC/DC	60 V AC/DC	60 V AC/DC
–	30 V DC	–
4 A	4 A	4 A
IP67, IP69K	IP67, IP69K	IP67, IP69K
	IP67	
BCC M313-0000-20-001-_____①-____②	BCC M323-0000-10-001-_____①-____②	BCC M323-0000-20-001-_____①-____②
–	BCC M323-0000-10-004-_____①-____②	–
–	BCC M323-0000-10-006-_____①-____②	–
–	BCC M323-0000-10-036-_____①-____②	–
CE, UL, EAC	CE, UL, EAC	CE, UL, EAC
148	148	148

①	Material	Color	Number of conductors x conductor cross-section	Cable temperature fixed in place	Cable temperature flexed
<b>UNSHIELDED</b>					
PX0334	PUR	Black	3 × 0.34 mm <sup>2</sup>	–50...+90 °C	–25...+90 °C
VX8334	PVC	Gray	3 × 0.34 mm <sup>2</sup>	–40...+105 °C	–5...+105 °C
EX43T2	TPE	Yellow	3 × AWG22	–50...+105 °C	–25...+105 °C
VX43T2	PVC	Yellow	3 × AWG22	–40...+105 °C	–5...+105 °C
<b>SHIELDED</b>					
PS0334	PUR	Black	3 × 0.34 mm <sup>2</sup>	–50...+90 °C	–25...+90 °C
VS8334	PVC	Gray	3 × 0.34 mm <sup>2</sup>	–40...+105 °C	–5...+105 °C

②	Cable length
<b>CONNECTION CABLE</b>	
020	2 m
050	5 m
100	10 m

Other cable lengths on request!

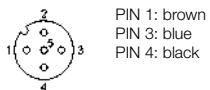
**AVAILABLE AS BULK CABLE**

	Order code	Part number	Cable length
PX0334	BCC0AC7	BCC 0000-0000-00-000-PX0334-10X	100 m
VX8334	BCC0C15	BCC 0000-0000-00-000-VX8334-10X	100 m
EX43T2	BCC0AEC	BCC 0000-0000-00-001-EX43T2-10X	100 m
VX43T2	BCC0AE7	BCC 0000-0000-00-001-VX43T2-10X	100 m

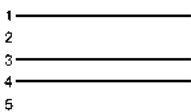


		BCC M415 ...	
Connection		M12 female, A-coded	
Version		straight	
Rated voltage	No LED	250 V AC/DC	
	with LED	30 V DC	
Rated current		4 A	
Degree of protection	unshielded	IP67, IP68, IP69K	
	shielded	IP67	
unshielded, no LED, N.O. signal		BCC M415-0000-1A-001-_____①-___②	
unshielded, 2 × PNP-LED, N.O. signal		BCC M415-0000-1A-004-_____①-___②	
unshielded, 2 × NPN-LED, N.O. signal		–	
shielded, no LED, N.O. signal		BCC M415-0000-1A-036-_____①-___②	
unshielded, no LED, N.C. signal		BCC M415-0000-1A-002-_____①-___②	
unshielded, 2 × PNP-LED, N.C. signal		BCC M415-0000-1A-005-_____①-___②	
shielded, no LED, N.C. signal		BCC M415-0000-1A-037-_____①-___②	
Approval/Conformity		CE, UL, EAC	
For drawing see page		148	

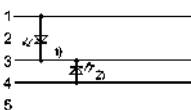
**M12 female, N.O. signal**



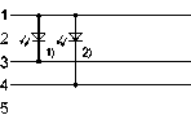
unshielded, no LED



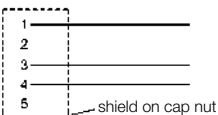
unshielded, 2 × PNP-LED\*



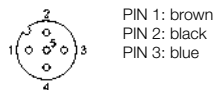
unshielded, 2 × NPN-LED\*



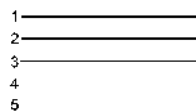
shielded, no LED



**M12 female, N.C. signal**



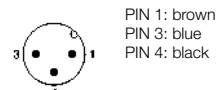
unshielded, no LED



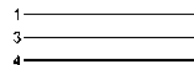
unshielded, 2 × PNP-LED\*



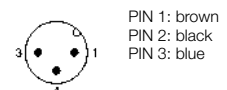
**M12 male, N.O. signal**



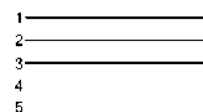
unshielded, no LED



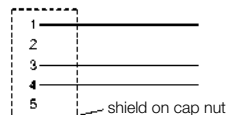
**M12 male, N.C. signal**



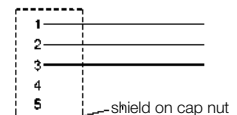
unshielded, no LED



shielded, no LED



shielded, no LED





BCC M413 ...	BCC M425 ...	BCC M413 ...
M12 male, A-coded	M12 female, A-coded	M12 male, A-coded
straight	angled	angled
250 V AC/DC	250 V AC/DC	250 V AC/DC
–	30 V DC	–
4 A	4 A	4 A
IP67, IP68, IP69K	IP67, IP68, IP69K	IP67, IP68, IP69K
IP67	IP67	IP67
BCC M413-0000-2A-001-_____①-___②	BCC M425-0000-1A-001-_____①-___②	BCC M423-0000-2A-001-_____①-___②
–	BCC M425-0000-1A-004-_____①-___②	–
–	BCC M425-0000-1A-006-_____①-___②	–
BCC M413-0000-2A-036-_____①-___②	BCC M425-0000-1A-036-_____①-___②	BCC M423-0000-2A-036-_____①-___②
BCC M413-0000-2A-002-_____①-___②	BCC M425-0000-1A-002-_____①-___②	–
–	BCC M425-0000-1A-005-_____①-___②	–
BCC M413-0000-2A-037-_____①-___②	BCC M425-0000-1A-037-_____①-___②	–
CE, UL, EAC	CE, UL, EAC	CE, UL, EAC
149	149	149

①	Material	Color	Number of conductors × conductor cross-section	Cable temperature fixed in place	Cable temperature flexed
<b>UNSHIELDED</b>					
PX0334	PUR	Black	3 × 0.34 mm <sup>2</sup>	–50...+90 °C	–25...+90 °C
VX8334	PVC	Gray	3 × 0.34 mm <sup>2</sup>	–40...+105 °C	–5...+105 °C
EX43T2	TPE	Yellow	3 × AWG22	–50...+105 °C	–25...+105 °C
VX43T2	PVC	Yellow	3 × AWG22	–40...+105 °C	–5...+105 °C
<b>SHIELDED</b>					
PS0334	PUR	Black	3 × 0.34 mm <sup>2</sup>	–50...+90 °C	–25...+90 °C
VS8334	PVC	Gray	3 × 0.34 mm <sup>2</sup>	–40...+105 °C	–5...+105 °C

②	Cable length
<b>CONNECTION CABLE</b>	
020	2 m
050	5 m
100	10 m

Other cable lengths on request!

**AVAILABLE AS BULK CABLE**

	Order code	Part number	Cable length
PX0334	BCC0AC7	BCC 0000-0000-00-000-PX0334-10X	100 m
VX8334	BCC0C15	BCC 0000-0000-00-000-VX8334-10X	100 m
EX43T2	BCC0AEC	BCC 0000-0000-00-001-EX43T2-10X	100 m
VX43T2	BCC0AE7	BCC 0000-0000-00-001-VX43T2-10X	100 m

Sensors

RFID

Machine Vision and Optical Identification

Human Machine Interfaces

Safety

Industrial Networking

Software and System Solutions

Power Supply

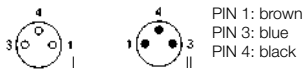
Connectivity

Accessories

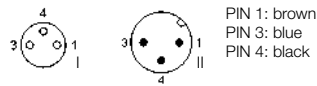


		BCC M313-M313 ...
Connection		M8 female, A-coded/ M8 male, A-coded
Version		straight/straight
Rated voltage		60 V AC/DC
Rated current		4 A
Degree of protection		IP67, IP69K/IP67, IP69K
unshielded, no LED		BCC M313-M313-30-300-____-①-____-②
unshielded, no LED, N.O. signal		-
Approval/Conformity		CE, UL, EAC
For drawing see page		149

**M8 female/M8 male**



**M8 female/M12 male, N.O. signal**



**unshielded, no LED**



**unshielded, no LED**





BCC M313-M323 ...	BCC M313-M413 ...	BCC M313-M423 ...
M8 female, A-coded/ M8 male, A-coded	M8 female, A-coded/ M12 male, A-coded	M8 female, A-coded/ M12 male, A-coded
straight/angled	straight/straight	straight/angled
60 V AC/DC	60 V AC/DC	60 V AC/DC
4 A	4 A	4 A
IP67, IP69K/IP67, IP69K	IP67, IP69K/IP67, IP68, IP69K	IP67, IP69K/IP67, IP68, IP69K
BCC M313-M323-30-300-____①-____②	–	–
–	BCC M313-M413-3E-300-____①-____②	BCC M313-M423-3E-300-____①-____②
CE, UL, EAC	CE, UL, EAC	CE, UL, EAC
149	150	150

①	Material	Color	Number of conductors x conductor cross-section	Cable temperature fixed in place	Cable temperature flexed
<b>UNSHIELDED</b>					
PX0334	PUR	Black	3 × 0.34 mm <sup>2</sup>	–50...+90 °C	–25...+90 °C
VX8334	PVC	Gray	3 × 0.34 mm <sup>2</sup>	–40...+105 °C	–5...+105 °C
EX43T2	TPE	Yellow	3 × AWG22	–50...+105 °C	–25...+105 °C
VX43T2	PVC	Yellow	3 × AWG22	–40...+105 °C	–5...+105 °C

②	Cable length
<b>CABLE</b>	
003	0.3 m
006	0.6 m
010	1 m
015	1.5 m
020	2 m
050	5 m

Other cable lengths on request!

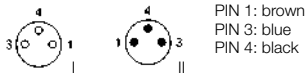
**AVAILABLE AS BULK CABLE**

	Order code	Part number	Cable length
PX0334	BCC0AC7	BCC 0000-0000-00-000-PX0334-10X	100 m
VX8334	BCC0C15	BCC 0000-0000-00-000-VX8334-10X	100 m
EX43T2	BCC0AEC	BCC 0000-0000-00-001-EX43T2-10X	100 m
VX43T2	BCC0AE7	BCC 0000-0000-00-001-VX43T2-10X	100 m



		BCC M323-M313 ...
Connection		M8 female, A-coded/ M8 male, A-coded
Version		angled/straight
Rated voltage	No LED	60 V AC/DC
	with LED	30 V DC
Rated current		4 A
Degree of protection		IP67, IP69K/IP67, IP69K
unshielded, no LED		BCC M323-M313-30-300-_____①-___②
unshielded, 2 × PNP-LED		BCC M323-M313-30-602-_____①-___②
unshielded, no LED, N.O. signal		–
unshielded, PNP-LED, N.O. signal		–
Approval/Conformity		CE, UL, EAC
For drawing see page		150

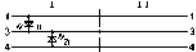
**M8 female/M8 male**



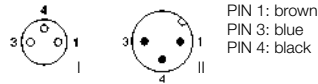
**unshielded, no LED**



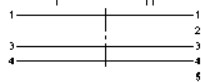
**unshielded, 2 × PNP-LED\***



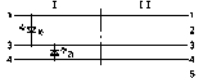
**M8 female/M12 male, N.O. signal**



**unshielded, no LED**



**unshielded, 2 × PNP-LED\***



\* <sup>1)</sup> LED green = Power  
<sup>2)</sup> LED yellow = Function





BCC M323-M323 ...	BCC M323-M413 ...	BCC M323-M423 ...
M8 female, A-coded/ M8 male, A-coded	M8 female, A-coded/ M12 male, A-coded	M8 female, A-coded/ M12 male, A-coded
angled/angled	angled/straight	angled/angled
60 V AC/DC	60 V AC/DC	60 V AC/DC
–	30 V DC	–
4 A	4 A	4 A
IP67, IP69K/IP67, IP69K	IP67, IP69K/IP67, IP68, IP69K	IP67, IP69K/IP67, IP68, IP69K
BCC M323-M323-30-300-_____①-____②	–	–
–	–	–
–	BCC M323-M413-3E-300-_____①-____②	BCC M323-M423-3E-300-_____①-____②
–	BCC M323-M413-3E-602-_____①-____②	–
CE, UL, EAC	CE, UL, EAC	CE, UL, EAC
150	150	150

①	Material	Color	Number of conductors x conductor cross-section	Cable temperature fixed in place	Cable temperature flexed
<b>UNSHIELDED</b>					
PX0334	PUR	Black	3 × 0.34 mm <sup>2</sup>	–50...+90 °C	–25...+90 °C
VX8334	PVC	Gray	3 × 0.34 mm <sup>2</sup>	–40...+105 °C	–5...+105 °C
EX43T2	TPE	Yellow	3 × AWG22	–50...+105 °C	–25...+105 °C
VX43T2	PVC	Yellow	3 × AWG22	–40...+105 °C	–5...+105 °C

②	Cable length
<b>CABLE</b>	
003	0.3 m
006	0.6 m
010	1 m
015	1.5 m
020	2 m
050	5 m

Other cable lengths on request!

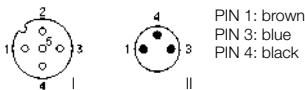
**AVAILABLE AS BULK CABLE**

	Order code	Part number	Cable length
PX0334	BCC0AC7	BCC 0000-0000-00-000-PX0334-10X	100 m
VX8334	BCC0C15	BCC 0000-0000-00-000-VX8334-10X	100 m
EX43T2	BCC0AEC	BCC 0000-0000-00-001-EX43T2-10X	100 m
VX43T2	BCC0AE7	BCC 0000-0000-00-001-VX43T2-10X	100 m

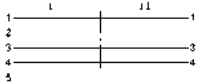


		BCC M415-M313 ...
Connection		M12 female, A-coded/ M8 male, A-coded
Version		straight/straight
Rated voltage		60 V AC/DC
Rated current		4 A
Degree of protection		IP67, IP68, IP69K/IP67, IP69K
unshielded, no LED, N.O. signal		BCC M415-M313-3F-300-_____-①-_____-②
Approval/Conformity		CE, UL, EAC
For drawing see page		150

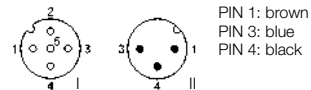
**M12 female/M8 male,  
N.O. signal**



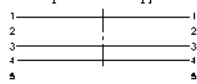
**unshielded, no LED**



**M12 female/M12 male,  
N.O. signal**



**unshielded, no LED**





BCC M415-M323 ...	BCC M415-M413 ...	BCC M415-M423 ...
M12 female, A-coded/ M8 male, A-coded	M12 female, A-coded/ M12 male, A-coded	M12 female, A-coded/ M12 male, A-coded
straight/angled	straight/straight	straight/angled
60 V AC/DC	250 V AC/DC	250 V AC/DC
4 A	4 A	4 A
IP67, IP68, IP69K/IP67, IP69K	IP67, IP68, IP69K/IP67, IP68, IP69K	IP67, IP68, IP69K/IP67, IP68, IP69K
BCC M415-M323-3F-300-_____①-__②	BCC M415-M413-3A-300-_____①-__②	BCC M415-M423-3A-300-_____①-__②
CE, UL, EAC	CE, UL, EAC	CE, UL, EAC
150	151	151

①	Material	Color	Number of conductors × conductor cross-section	Cable temperature fixed in place	Cable temperature flexed
<b>UNSHIELDED</b>					
PX0334	PUR	Black	3 × 0.34 mm <sup>2</sup>	-50...+90 °C	-25...+90 °C
VX8334	PVC	Gray	3 × 0.34 mm <sup>2</sup>	-40...+105 °C	-5...+105 °C
EX43T2	TPE	Yellow	3 × AWG22	-50...+105 °C	-25...+105 °C
VX43T2	PVC	Yellow	3 × AWG22	-40...+105 °C	-5...+105 °C

②	Cable length
<b>CABLE</b>	
003	0.3 m
006	0.6 m
010	1 m
015	1.5 m
020	2 m
050	5 m

Other cable lengths on request!

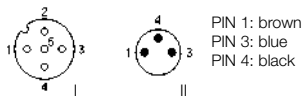
**AVAILABLE AS BULK CABLE**

	Order code	Part number	Cable length
PX0334	BCC0AC7	BCC 0000-0000-00-000-PX0334-10X	100 m
VX8334	BCC0C15	BCC 0000-0000-00-000-VX8334-10X	100 m
EX43T2	BCC0AEC	BCC 0000-0000-00-001-EX43T2-10X	100 m
VX43T2	BCC0AE7	BCC 0000-0000-00-001-VX43T2-10X	100 m

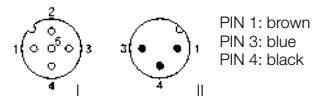


		BCC M425-M313 ...	
Connection		M12 female, A-coded/ M8 male, A-coded	
Version		angled/straight	
Rated voltage	No LED	60 V AC/DC	
	with LED	30 V DC	
Rated current		4 A	
Degree of protection		IP67, IP68, IP69K/IP67, IP69K	
unshielded, no LED, N.O. signal		BCC M425-M313-3F-300-_____①-___②	
unshielded, 2 × PNP-LED, N.O. signal		BCC M425-M313-3F-602-_____①-___②	
Approval/Conformity		CE, UL, EAC	
For drawing see page		151	

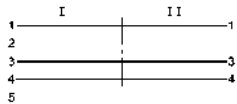
**M12 female/M8 male,  
N.O. signal**



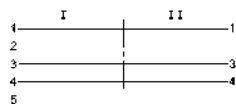
**M12 female/M12 male,  
N.O. signal**



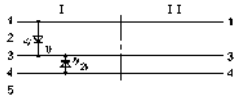
**unshielded, no LED**



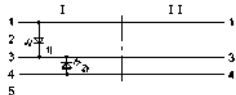
**unshielded, no LED**



**unshielded, 2 × PNP-LED\***



**unshielded, 2 × PNP-LED\***



\* <sup>1)</sup> LED green = Power  
<sup>2)</sup> LED yellow = Function



BCC M425-M323 ...	BCC M425-M413 ...	BCC M425-M423 ...
M12 female, A-coded/ M8 male, A-coded	M12 female, A-coded/ M12 male, A-coded	M12 female, A-coded/ M12 male, A-coded
angled/angled	angled/straight	angled/angled
60 V AC/DC	250 V AC/DC	250 V AC/DC
30 V DC	30 V DC	–
4 A	4 A	4 A
IP67, IP68, IP69K/IP67, IP69K	IP67, IP68, IP69K/IP67, IP68, IP69K	IP67, IP68, IP69K/IP67, IP68, IP69K
BCC M425-M323-3F-300-_____①-___②	BCC M425-M413-3A-300-_____①-___②	BCC M425-M423-3A-300-_____①-___②
BCC M425-M323-3F-602-_____①-___②	BCC M425-M413-3A-602-_____①-___②	–
CE, UL, EAC	CE, UL, EAC	CE, UL, EAC
151	151	151

①	Material	Color	Number of conductors × conductor cross-section	Cable temperature fixed in place	Cable temperature flexed
<b>UNSHIELDED</b>					
PX0334	PUR	Black	3 × 0.34 mm <sup>2</sup>	–50...+90 °C	–25...+90 °C
VX8334	PVC	Gray	3 × 0.34 mm <sup>2</sup>	–40...+105 °C	–5...+105 °C
EX43T2	TPE	Yellow	3 × AWG22	–50...+105 °C	–25...+105 °C
VX43T2	PVC	Yellow	3 × AWG22	–40...+105 °C	–5...+105 °C

②	Cable length
<b>CABLE</b>	
003	0.3 m
006	0.6 m
010	1 m
015	1.5 m
020	2 m
050	5 m

Other cable lengths on request!

**AVAILABLE AS BULK CABLE**

	Order code	Part number	Cable length
PX0334	BCC0AC7	BCC 0000-0000-00-000-PX0334-10X	100 m
VX8334	BCC0C15	BCC 0000-0000-00-000-VX8334-10X	100 m
EX43T2	BCC0AEC	BCC 0000-0000-00-001-EX43T2-10X	100 m
VX43T2	BCC0AE7	BCC 0000-0000-00-001-VX43T2-10X	100 m

Sensors

RFID

Machine Vision and Optical Identification

Human Machine Interfaces

Safety

Industrial Networking

Software and System Solutions

Power Supply

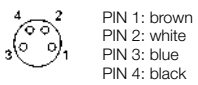
Connectivity

Accessories

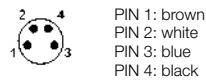


		BCC M314 ...
Connection		M8 female, A-coded
Version		straight
Rated voltage	No LED	60 V AC/DC
	with LED	–
Rated current		4 A
Degree of protection	unshielded	IP67, IP69K
	shielded	IP67
unshielded, no LED		BCC M314-0000-10-003-_____①-____②
unshielded, 2 × PNP-LED		–
shielded, no LED		BCC M314-0000-10-014-_____①-____②
Approval/Conformity		CE, UL, EAC
For drawing see page		151

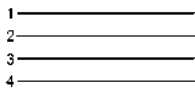
**M8 female**



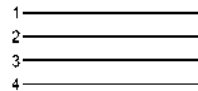
**M8 male**



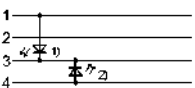
**unshielded, no LED**



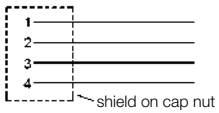
**unshielded, no LED**



**unshielded, 2 × PNP-LED\***



**shielded, no LED**



\* <sup>1)</sup> LED green = Power  
<sup>2)</sup> LED yellow = Function



BCC M314 ...	BCC M324 ...	BCC M324 ...
M8 male, A-coded	M8 female, A-coded	M8 male, A-coded
straight	angled	angled
60 V AC/DC	60 V AC/DC	60 V AC/DC
–	30 V DC	–
4 A	4 A	4 A
IP67, IP69K	IP67, IP69K	IP67, IP69K
–	IP67	–
BCC M314-0000-20-003-_____①-____②	BCC M324-0000-10-003-_____①-____②	BCC M324-0000-20-003-_____①-____②
–	BCC M324-0000-10-008-_____①-____②	–
–	BCC M324-0000-10-014-_____①-____②	–
CE, UL, EAC	CE, UL, EAC	CE, UL, EAC
151	152	152

①	Material	Color	Number of conductors × conductor cross-section	Cable temperature fixed in place	Cable temperature flexed
<b>UNSHIELDED</b>					
PX0434	PUR	Black	4 × 0.34 mm <sup>2</sup>	–50...+90 °C	–25...+90 °C
VX8434	PVC	Gray	4 × 0.34 mm <sup>2</sup>	–40...+105 °C	–5...+105 °C
EX44T2	TPE	Yellow	4 × AWG22	–50...+105 °C	–25...+105 °C
VX44T2	PVC	Yellow	4 × AWG22	–40...+105 °C	–5...+105 °C
<b>SHIELDED</b>					
PS0434	PUR	Black	4 × 0.34 mm <sup>2</sup>	–50...+90 °C	–25...+90 °C
VS8434	PVC	Gray	4 × 0.34 mm <sup>2</sup>	–40...+105 °C	–5...+105 °C

②	Cable length
<b>CONNECTION CABLE</b>	
020	2 m
050	5 m
100	10 m

Other cable lengths on request!

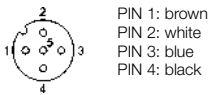
#### AVAILABLE AS BULK CABLE

	Order code	Part number	Cable length
PX0434	BCC0AC8	BCC 0000-0000-00-000-PX0434-10X	100 m
VX8434	BCC0C14	BCC 0000-0000-00-000-VX8434-10X	100 m
EX44T2	BCC0AEE	BCC 0000-0000-00-003-EX44T2-10X	100 m
VX44T2	BCC0AE8	BCC 0000-0000-00-003-VX44T2-10X	100 m

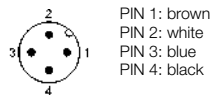


		BCC M415 ...	
Connection		M12 female, A-coded	
Version		straight	
Rated voltage	No LED	250 V AC/DC	
	with LED	30 V DC	
Rated current		4 A	
Degree of protection	unshielded	IP67, IP68, IP69K	
	shielded	IP67	
unshielded, no LED		BCC M415-0000-1A-003-_____①-___②	
unshielded, 2 × PNP-LED		BCC M415-0000-1A-008-_____①-___②	
unshielded, 3 × PNP-LED		BCC M415-0000-1A-010-_____①-___②	
shielded, no LED		BCC M415-0000-1A-014-_____①-___②	
Approval/Conformity		CE, UL, EAC	
For drawing see page		152	

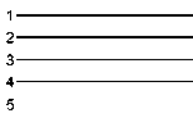
**M12 female**



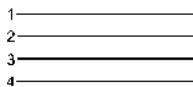
**M12 male**



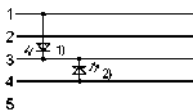
**unshielded, no LED**



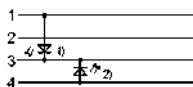
**unshielded, no LED**



**unshielded, 2 × PNP-LED\***



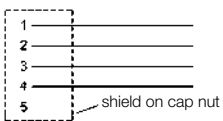
**unshielded, 2 × PNP-LED\***



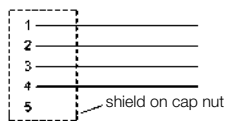
**unshielded, 3 × PNP-LED\***



**shielded, no LED**



**shielded, no LED**



\* 1) LED green = Power  
2) LED yellow = Function  
3) LED white = Function





BCC M414 ...	BCC M425 ...	BCC M424 ...
M12 male, A-coded	M12 female, A-coded	M12 female, A-coded
straight	angled	angled
250 V AC/DC	250 V AC/DC	250 V AC/DC
–	30 V DC	30 V DC
4 A	4 A	4 A
IP67, IP68, IP69K	IP67, IP68, IP69K	IP67, IP68, IP69K
IP67	IP67	IP67
BCC M414-0000-2A-003-_____①-___②	BCC M425-0000-1A-003-_____①-___②	BCC M424-0000-2A-003-_____①-___②
–	BCC M425-0000-1A-008-_____①-___②	BCC M424-0000-2A-008-_____①-___②
–	BCC M425-0000-1A-010-_____①-___②	–
BCC M414-0000-2A-014-_____①-___②	BCC M425-0000-1A-014-_____①-___②	BCC M424-0000-2A-014-_____①-___②
CE, UL, EAC	CE, UL, EAC	CE, UL, EAC
152	153	153

①	Material	Color	Number of conductors x conductor cross-section	Cable temperature fixed in place	Cable temperature flexed
<b>UNSHIELDED</b>					
PX0434	PUR	Black	4 x 0.34 mm <sup>2</sup>	–50...+90 °C	–25...+90 °C
VX8434	PVC	Gray	4 x 0.34 mm <sup>2</sup>	–40...+105 °C	–5...+105 °C
EX44T2	TPE	Yellow	4 x AWG22	–50...+105 °C	–25...+105 °C
VX44T2	PVC	Yellow	4 x AWG22	–40...+105 °C	–5...+105 °C
<b>SHIELDED</b>					
PS0434	PUR	Black	4 x 0.34 mm <sup>2</sup>	–50...+90 °C	–25...+90 °C
VS8434	PVC	Gray	4 x 0.34 mm <sup>2</sup>	–40...+105 °C	–5...+105 °C

②	Cable length
<b>CONNECTION CABLE</b>	
020	2 m
050	5 m
100	10 m

Other cable lengths on request!

**AVAILABLE AS BULK CABLE**

	Order code	Part number	Cable length
PX0434	BCC0AC8	BCC 0000-0000-00-000-PX0434-10X	100 m
VX8434	BCC0C14	BCC 0000-0000-00-000-VX8434-10X	100 m
EX44T2	BCC0AEE	BCC 0000-0000-00-003-EX44T2-10X	100 m
VX44T2	BCC0AE8	BCC 0000-0000-00-003-VX44T2-10X	100 m

Sensors

RFID

Machine Vision and Optical Identification

Human Machine Interfaces

Systems

Safety

Industrial Networking

Power Supplies

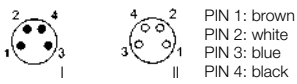
Connectivity

Accessories

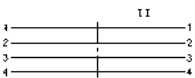


		BCC M314-M314 ...
Connection		M8 female, A-coded/ M8 male, A-coded
Version		straight/straight
Rated voltage		60 V AC/DC
Rated current		4 A
Degree of protection		IP67, IP69K/IP67, IP69K
unshielded, no LED		BCC M314-M314-30-304-____-①-__-②
Approval/Conformity		CE, UL, EAC
For drawing see page		153

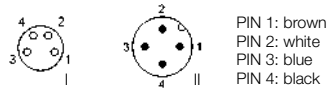
**M8 female/M8 male**



**unshielded, no LED**



**M8 female/M12 male**



**unshielded, no LED**





BCC M314-M324 ...	BCC M314-M414 ...	BCC M314-M424 ...
M8 female, A-coded/ M8 male, A-coded	M8 female, A-coded/ M12 male, A-coded	M8 female, A-coded/ M12 male, A-coded
straight/angled	straight/straight	straight/angled
60 V AC/DC	60 V AC/DC	60 V AC/DC
4 A	4 A	4 A
IP67, IP69K/IP67, IP69K	IP67, IP69K/IP67, IP68, IP69K	IP67, IP69K/IP67, IP68, IP69K
BCC M314-M324-30-304-_____①-__②	BCC M314-M414-3E-304-_____①-__②	BCC M314-M424-3E-304-_____①-__②
CE, UL, EAC	CE, UL, EAC	CE, UL, EAC
163	153	153

①	Material	Color	Number of conductors × conductor cross-section	Cable temperature fixed in place	Cable temperature flexed
<b>UNSHIELDED</b>					
PX0434	PUR	Black	4 × 0.34 mm <sup>2</sup>	-50...+90 °C	-25...+90 °C
VX8434	PVC	Gray	4 × 0.34 mm <sup>2</sup>	-40...+105 °C	-5...+105 °C
EX44T2	TPE	Yellow	4 × AWG22	-50...+105 °C	-25...+105 °C
VX44T2	PVC	Yellow	4 × AWG22	-40...+105 °C	-5...+105 °C

②	Cable length
<b>CABLE</b>	
003	0.3 m
006	0.6 m
010	1 m
015	1.5 m
020	2 m
050	5 m

Other cable lengths on request!

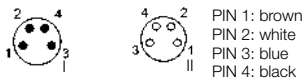
**AVAILABLE AS BULK CABLE**

	Order code	Part number	Cable length
PX0434	BCC0AC8	BCC 0000-0000-00-000-PX0434-10X	100 m
VX8434	BCC0C14	BCC 0000-0000-00-000-VX8434-10X	100 m
EX44T2	BCC0AEE	BCC 0000-0000-00-003-EX44T2-10X	100 m
VX44T2	BCC0AE8	BCC 0000-0000-00-003-VX44T2-10X	100 m

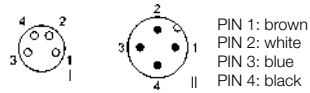


		BCC M324-M314 ...
Connection		M8 female, A-coded/ M8 male, A-coded
Version		angled/straight
Rated voltage		60 V AC/DC
Rated current		4 A
Degree of protection		IP67, IP69K/IP67, IP69K
unshielded, no LED		BCC M324-M314-30-304-____-①-__-②
Approval/Conformity		CE, UL, EAC
For drawing see page		154

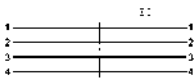
**M8 female/M8 male**



**M8 female/M12 male**



**unshielded, no LED**



**unshielded, no LED**





BCC M324-M324 ...	BCC M324-M414 ...	BCC M324-M424 ...
M8 female, A-coded/ M8 male, A-coded	M8 female, A-coded/ M12 male, A-coded	M8 female, A-coded/ M12 male, A-coded
angled/angled	angled/straight	angled/angled
60 V AC/DC	60 V AC/DC	60 V AC/DC
4 A	4 A	4 A
IP67, IP69K/IP67, IP69K	IP67, IP69K/IP67, IP68, IP69K	IP67, IP69K/IP67, IP68, IP69K
BCC M324-M324-30-304-_____①-__②	BCC M324-M414-3E-304-_____①-__②	BCC M324-M424-3E-304-_____①-__②
CE, UL, EAC	CE, UL, EAC	CE, UL, EAC
154	154	154

①	Material	Color	Number of conductors × conductor cross-section	Cable temperature fixed in place	Cable temperature flexed
<b>UNSHIELDED</b>					
PX0434	PUR	Black	4 × 0.34 mm <sup>2</sup>	-50...+90 °C	-25...+90 °C
VX8434	PVC	Gray	4 × 0.34 mm <sup>2</sup>	-40...+105 °C	-5...+105 °C
EX44T2	TPE	Yellow	4 × AWG22	-50...+105 °C	-25...+105 °C
VX44T2	PVC	Yellow	4 × AWG22	-40...+105 °C	-5...+105 °C

②	Cable length
<b>CABLE</b>	
003	0.3 m
006	0.6 m
010	1 m
015	1.5 m
020	2 m
050	5 m

Other cable lengths on request!

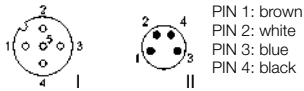
**AVAILABLE AS BULK CABLE**

	Order code	Part number	Cable length
PX0434	BCC0AC8	BCC 0000-0000-00-000-PX0434-10X	100 m
VX8434	BCC0C14	BCC 0000-0000-00-000-VX8434-10X	100 m
EX44T2	BCC0AEE	BCC 0000-0000-00-003-EX44T2-10X	100 m
VX44T2	BCC0AE8	BCC 0000-0000-00-003-VX44T2-10X	100 m



		BCC M415-M314 ...
Connection		M12 female, A-coded/ M8 male, A-coded
Version		straight/straight
Rated voltage	No LED	60 V AC/DC
	with LED	–
Rated current		4 A
Degree of protection	unshielded	IP67, IP68, IP69K/IP67, IP69K
	shielded	–
unshielded, no LED		BCC M415-M314-3F-304-____-①-____②
unshielded, 2 × PNP-LED		–
shielded, no LED		–
Approval/Conformity		CE, UL, EAC
For drawing see page		154

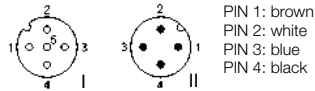
**M12 female/M8 male**



**unshielded, no LED**



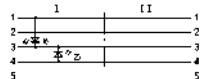
**M12 female/M12 male**



**unshielded, no LED**

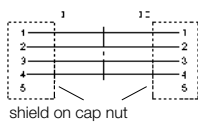


**unshielded, 2 × PNP-LED\***



\* 1) LED green = Power  
2) LED yellow = Function

**shielded, no LED**





BCC M415-M324 ...	BCC M415-M414 ...	BCC M415-M424 ...
M12 female, A-coded/ M8 male, A-coded	M12 female, A-coded/ M12 male, A-coded	M12 female, A-coded/ M12 male, A-coded
straight/angled	straight/straight	straight/angled
60 V AC/DC	250 V AC/DC	250 V AC/DC
–	30 V DC	–
4 A	4 A	4 A
IP67, IP68, IP69K/IP67, IP69K	IP67, IP68, IP69K/IP67, IP68, IP69K	IP67, IP68, IP69K/IP67, IP68, IP69K
–	IP67/IP67	–
BCC M415-M324-3F-304-_____①-____②	BCC M415-M414-3A-304-_____①-____②	BCC M415-M424-3A-304-_____①-____②
–	BCC M415-M414-3A-606-_____①-____②	–
–	BCC M415-M414-3A-305-PS0434①-____②	–
CE, UL, EAC	CE, UL, EAC	CE, UL, EAC
154	154	155

①	Material	Color	Number of conductors x conductor cross-section	Cable temperature fixed in place	Cable temperature flexed
<b>UNSHIELDED</b>					
PX0434	PUR	Black	4 x 0.34 mm <sup>2</sup>	-50...+90 °C	-25...+90 °C
VX8434	PVC	Gray	4 x 0.34 mm <sup>2</sup>	-40...+105 °C	-5...+105 °C
EX44T2	TPE	Yellow	4 x AWG22	-50...+105 °C	-25...+105 °C
VX44T2	PVC	Yellow	4 x AWG22	-40...+105 °C	-5...+105 °C
<b>SHIELDED</b>					
PS0434	PUR	Black	4 x 0.34 mm <sup>2</sup>	-50...+90 °C	-25...+90 °C

②	Cable length
<b>CABLE</b>	
003	0.3 m
006	0.6 m
010	1 m
015	1.5 m
020	2 m
050	5 m

Other cable lengths on request!

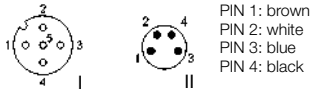
**AVAILABLE AS BULK CABLE**

	Order code	Part number	Cable length
PX0434	BCC0AC8	BCC 0000-0000-00-000-PX0434-10X	100 m
VX8434	BCC0C14	BCC 0000-0000-00-000-VX8434-10X	100 m
EX44T2	BCC0AEE	BCC 0000-0000-00-003-EX44T2-10X	100 m
VX44T2	BCC0AE8	BCC 0000-0000-00-003-VX44T2-10X	100 m



		BCC M425-M314 ...
Connection		M12 female, A-coded/ M8 male, A-coded
Version		angled/straight
Rated voltage	No LED	60 V AC/DC
	with LED	–
Rated current		4 A
Degree of protection		IP67, IP68, IP69K/IP67, IP69K
unshielded, no LED		BCC M425-M314-3F-304-____①-____②
unshielded, 2 × PNP-LED		–
Approval/Conformity		CE, UL, EAC
For drawing see page		155

**M12 female/M8 male**

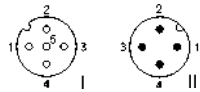


PIN 1: brown  
PIN 2: white  
PIN 3: blue  
PIN 4: black

**unshielded, no LED**



**M12 female/M12 male**



PIN 1: brown  
PIN 2: white  
PIN 3: blue  
PIN 4: black

**unshielded, no LED**



**unshielded, 2 × PNP-LED\***



\* 1) LED green = Power  
2) LED yellow = Function





BCC M425-M324 ...	BCC M425-M414 ...	BCC M425-M424 ...
M12 female, A-coded/ M8 male, A-coded	M12 female, A-coded/ M12 male, A-coded	M12 female, A-coded/ M12 male, A-coded
angled/angled	angled/straight	angled/angled
60 V AC/DC	250 V AC/DC	250 V AC/DC
–	30 V DC	–
4 A	4 A	4 A
IP67, IP68, IP69K/IP67, IP69K	IP67, IP68, IP69K/IP67, IP68, IP69K	IP67, IP68, IP69K/IP67, IP68, IP69K
BCC M425-M324-3F-304-_____①-___②	BCC M425-M414-3A-304-_____①-___②	BCC M425-M424-3A-304-_____①-___②
–	BCC M425-M414-3A-606-_____①-___②	–
CE, UL, EAC	CE, UL, EAC	CE, UL, EAC
155	155	155

①	Material	Color	Number of conductors x conductor cross-section	Cable temperature fixed in place	Cable temperature flexed
<b>UNSHIELDED</b>					
PX0434	PUR	Black	4 x 0.34 mm <sup>2</sup>	-50...+90 °C	-25...+90 °C
VX8434	PVC	Gray	4 x 0.34 mm <sup>2</sup>	-40...+105 °C	-5...+105 °C
EX44T2	TPE	Yellow	4 x AWG22	-50...+105 °C	-25...+105 °C
VX44T2	PVC	Yellow	4 x AWG22	-40...+105 °C	-5...+105 °C

②	Cable length
<b>CABLE</b>	
003	0.3 m
006	0.6 m
010	1 m
015	1.5 m
020	2 m
050	5 m

Other cable lengths on request!

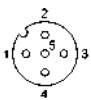
**AVAILABLE AS BULK CABLE**

	Order code	Part number	Cable length
PX0434	BCC0AC8	BCC 0000-0000-00-000-PX0434-10X	100 m
VX8434	BCC0C14	BCC 0000-0000-00-000-VX8434-10X	100 m
EX44T2	BCC0AEE	BCC 0000-0000-00-003-EX44T2-10X	100 m
VX44T2	BCC0AEE	BCC 0000-0000-00-003-VX44T2-10X	100 m



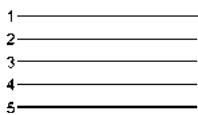
		BCC M415 ...	
Connection		M12 female, A-coded	
Version		straight	
Rated voltage	No LED	60 V AC/DC	
	with LED	–	
Rated current		4 A	
Degree of protection		IP67, IP68, IP69K	
unshielded, no LED, no PE		BCC M415-0000-1A-017-PX0534④-__ _②	
unshielded, no LED, with PE		BCC M415-0000-1A-034-PX0534④-__ _②	
unshielded, 3 × PNP-LED, no PE		–	
unshielded, 3 × PNP-LED, with PE		–	
Approval/Conformity		CE, UL, EAC	
For drawing see page		155	

**M12 female, no PE**

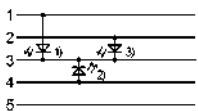


PIN 1: brown  
 PIN 2: white  
 PIN 3: blue  
 PIN 4: black  
 PIN 5: gray

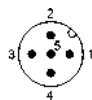
**unshielded, no LED**



**unshielded, 3 × PNP-LED\***

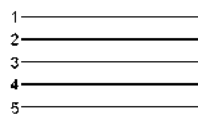


**M12 male, no PE**

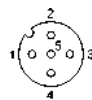


PIN 1: brown  
 PIN 2: white  
 PIN 3: blue  
 PIN 4: black  
 PIN 5: gray

**unshielded, no LED**

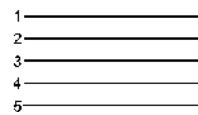


**M12 female, with PE**

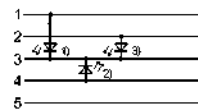


PIN 1: brown  
 PIN 2: white  
 PIN 3: blue  
 PIN 4: black  
 PIN 5: green/yellow

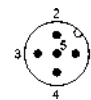
**unshielded, no LED**



**unshielded, 3 × PNP-LED\***

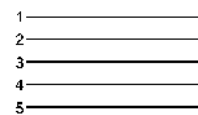


**M12 male, with PE**



PIN 1: brown  
 PIN 2: white  
 PIN 3: blue  
 PIN 4: black  
 PIN 5: green/yellow

**unshielded, no LED**



\* 1) LED green = Power  
 2) LED yellow = Function  
 3) LED white = Function



BCC M415 ...	BCC M425 ...
M12 male, A-coded	M12 female, A-coded
straight	angled
60 V AC/DC	60 V AC/DC
–	30 V DC
4 A	4 A
IP67, IP68, IP69K	IP67, IP68, IP69K
BCC M415-0000-2A-017-PX0534①-__ _②	BCC M425-0000-1A-017-PX0534①-__ _②
BCC M415-0000-2A-034-PX0534①-__ _②	BCC M425-0000-1A-034-PX0534①-__ _②
–	BCC M425-0000-1A-039-PX0534①-__ _②
–	BCC M425-0000-1A-040-PX0534①-__ _②
CE, UL, EAC	CE, UL, EAC
155	155

①	Material	Color	Number of conductors × conductor cross-section	Cable temperature fixed in place	Cable temperature flexed
<b>UNSHIELDED</b>					
PX0534	PUR	Black	5 × 0.34 mm <sup>2</sup>	–50...+90 °C	–25...+90 °C

②	Cable length
<b>CONNECTION CABLE</b>	
020	2 m
050	5 m
100	10 m

Other cable lengths on request!

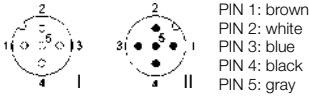
**AVAILABLE AS BULK CABLE**

	Order code	Part number	Cable length
PX0534	BCC0AC9	BCC 0000-0000-00-000-PX0534-10X	100 m

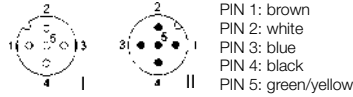


		BCC M415-M415 ...
Connection		M12 female, A-coded/ M12 male, A-coded
Version		straight/straight
Rated voltage	No LED	60 V AC/DC
	with LED	–
Rated current		4 A
Degree of protection	unshielded	IP67, IP68, IP69K/IP67, IP68, IP69K
	shielded	IP67/IP67
unshielded, no LED, no PE		BCC M415-M415-3A-312-PX0534①-__ _②
unshielded, no LED, with PE		BCC M415-M415-3A-313-PX0534①-__ _②
unshielded, 3 × PNP-LED, no PE		–
unshielded, 3 × PNP-LED, with PE		–
shielded, no LED, with PE		BCC M415-M415-3A-315-PS0534①-__ _②
Approval/Conformity		CE, UL, EAC
For drawing see page		156

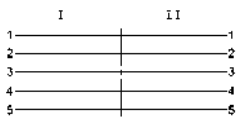
**M12 female/M12 male, no PE**



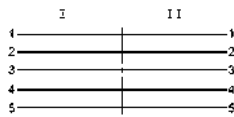
**M12 female/M12 male, with PE**



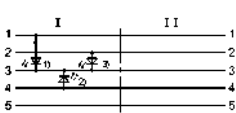
**unshielded, no LED**



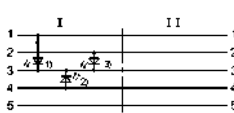
**unshielded, no LED**



**unshielded, 3 × PNP-LED\***

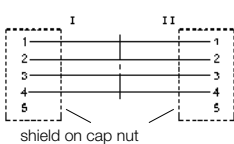


**unshielded, 3 × PNP-LED\***



\* 1) LED green = Power  
2) LED yellow = Function  
3) LED white = Function

**shielded, no LED**





BCC M425-M415 ...	BCC M425 ...
M12 female, A-coded/ M12 male, A-coded	M12 female, A-coded/ M12 male, A-coded
angled/straight	angled/angled
60 V AC/DC	–
30 V DC	30 V DC
4 A	4 A
IP67, IP68, IP69K/IP67, IP68, IP69K	IP67, IP68, IP69K/IP67, IP68, IP69K
–	–
BCC M425-M415-3A-312-PX0534①-__ _②	–
BCC M425-M415-3A-313-PX0534①-__ _②	–
BCC M425-M415-3A-660-PX0534①-__ _②	BCC M425-M425-3A-660-PX0534①-__ _②
BCC M425-M415-3A-661-PX0534①-__ _②	BCC M425-M425-3A-661-PX0534①-__ _②
–	–
CE, UL, EAC	CE, UL, EAC
156	156

①	Material	Color	Number of conductors x conductor cross-section	Cable temperature fixed in place	Cable temperature flexed
<b>UNSHIELDED</b>					
PX0534	PUR		5 × 0.34 mm <sup>2</sup>	–50...+90 °C	–25...+90 °C
<b>SHIELDED</b>					
PS0534	PUR		5 × 0.34 mm <sup>2</sup>	–50...+90 °C	–25...+90 °C

②	Cable length
<b>CABLE</b>	
003	0.3 m
006	0.6 m
010	1 m
015	1.5 m
020	2 m
050	5 m

Other cable lengths on request!

**AVAILABLE AS BULK CABLE**

	Order code	Part number	Cable length
PX0534	BCC0AC9	BCC 0000-0000-00-000-PX0534-10X	100 m



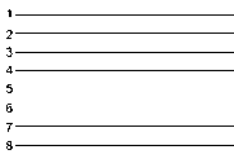
	BCC M418 ...	BCC M418 ...	
Connection	M12 female, A-coded	M12 male, A-coded	
Version	straight	straight	
Rated voltage	30 V AC/DC	30 V AC/DC	
Rated current	2 A	2 A	
Degree of protection	unshielded IP67, IP68, IP69K shielded IP67	IP67, IP68, IP69K –	
unshielded, no LED, junction block wiring	BCC M418-0000-1A-044-PX0825①-___②	BCC M418-0000-2A-044-PX0825①-___②	
unshielded, no LED, sensor wiring	BCC M418-0000-1A-069-PX0825①-___②	–	
shielded, no LED, sensor wiring	BCC M418-0000-1A-046-PS0825①-___②	–	
Approval/Conformity	CE, UL, EAC	CE, UL, EAC	
For drawing see page	156	156	

**M12 female, junction block wiring**



- PIN 1: white
- PIN 2: green
- PIN 3: yellow
- PIN 4: gray
- PIN 5: brown
- PIN 6: pink
- PIN 7: blue
- PIN 8: red

**unshielded, no LED**

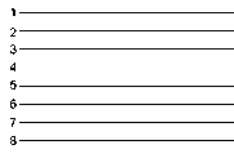


**M12 female, sensor wiring**



- PIN 1: white
- PIN 2: brown
- PIN 3: green
- PIN 4: yellow
- PIN 5: gray
- PIN 6: pink
- PIN 7: blue
- PIN 8: red

**unshielded, no LED**

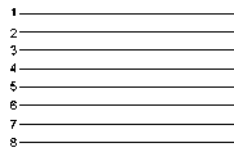


**M12 male, junction block wiring**



- PIN 1: white
- PIN 2: green
- PIN 3: yellow
- PIN 4: gray
- PIN 5: brown
- PIN 6: pink
- PIN 7: blue
- PIN 8: red

**unshielded, no LED**

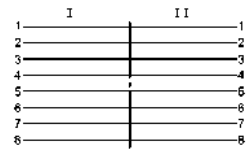


**M12 female/M12 male, junction block wiring**

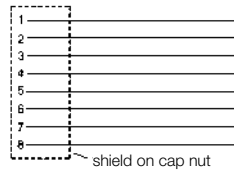


- PIN 1: white
- PIN 2: green
- PIN 3: yellow
- PIN 4: gray
- PIN 5: brown
- PIN 6: pink
- PIN 7: blue
- PIN 8: red

**unshielded, no LED**



**shielded, no LED**





BCC M428 ...	BCC M428 ...	BCC M418-M418 ...
M12 female, A-coded	M12 male, A-coded	M12 female, A-coded/ M12 male, A-coded
angled	angled	straight/straight
30 V AC/DC	30 V AC/DC	30 V AC/DC
2 A	2 A	2 A
IP67, IP68, IP69K	IP67, IP68, IP69K	IP67, IP68, IP69K/IP67, IP68, IP69K
IP67		
BCC M428-0000-1A-044-PX0825①-__ _ ②	BCC M428-0000-2A-044-PX0825①-__ _ ②	BCC M418-M418-3A-342-PX0825①-__ _ ②
BCC M428-0000-1A-069-PX0825①-__ _ ②	-	-
BCC M428-0000-1A-046-PS0825①-__ _ ②	-	-
CE, UL, EAC	CE, UL, EAC	CE, UL, EAC
156, 157	157	157

①	Material	Color	Number of conductors × conductor cross-section	Cable temperature fixed in place	Cable temperature flexed
<b>UNSHIELDED</b>					
PX0825	PUR	Black	8 × 0.25 mm <sup>2</sup>	-50...+80 °C	-25...+80 °C
<b>SHIELDED</b>					
PS0825	PUR	Black	8 × 0.25 mm <sup>2</sup>	-50...+90 °C	-25...+90 °C

②	Cable length
<b>CONNECTION CABLE</b>	
020	2 m
050	5 m
100	10 m
<b>CABLE</b>	
003	0.3 m
006	0.6 m
010	1 m
015	1.5 m
020	2 m
050	5 m

Other cable lengths on request!

Sensors  
RFID  
Machine Vision and Optical Identification  
Human Machine Interfaces  
Safety  
Industrial Networking  
Software and System Solutions  
Power Supply  
Connectivity  
Accessories



	BCC M41C ...	BCC M41C ...	
Connection	M12 female, A-coded	M12 male, A-coded	
Version	straight	straight	
Rated voltage	30 V AC/DC	30 V AC/DC	
Rated current	1.5 A	1.5 A	
Degree of protection	IP67, IP68, IP69K	IP67, IP68, IP69K	
unshielded, no LED	BCC M41C-0000-1A-049-PX0C25 ①-__ _②	BCC M41C-0000-2A-049-PX0C25①-__ _②	
Approval/Conformity	CE, UL, EAC	CE, UL, EAC	
For drawing see page	157	157	

**M12 female**



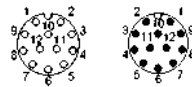
- PIN 1: brown
- PIN 2: blue
- PIN 3: white
- PIN 4: green
- PIN 5: pink
- PIN 6: yellow
- PIN 7: black
- PIN 8: gray
- PIN 9: red
- PIN 10: purple
- PIN 11: gray/pink
- PIN 12: red/blue

**M12 male**



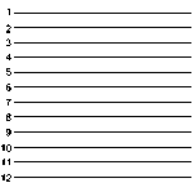
- PIN 1: brown
- PIN 2: blue
- PIN 3: white
- PIN 4: green
- PIN 5: pink
- PIN 6: yellow
- PIN 7: black
- PIN 8: gray
- PIN 9: red
- PIN 10: purple
- PIN 11: gray/pink
- PIN 12: red/blue

**M12 female/M12 male**

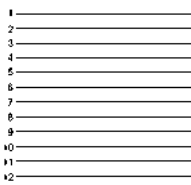


- PIN 1: brown
- PIN 2: blue
- PIN 3: white
- PIN 4: green
- PIN 5: pink
- PIN 6: yellow
- PIN 7: black
- PIN 8: gray
- PIN 9: red
- PIN 10: purple
- PIN 11: gray/pink
- PIN 12: red/blue

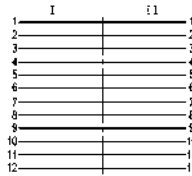
**unshielded, no LED**



**unshielded, no LED**



**unshielded, no LED**







BCC M42C ...	BCC M42C ...	BCC M41C-M41C ...
M12 female, A-coded	M12 male, A-coded	M12 female, A-coded/ M12 male, A-coded
angled	angled	straight/straight
30 V AC/DC	30 V AC/DC	30 V AC/DC
1.5 A	1.5 A	1.5 A
IP67, IP68, IP69K	IP67, IP68, IP69K	IP67, IP68, IP69K/IP67, IP68, IP69K
BCC M42C-0000-1A-049-PX0C25①-__ _②	BCC M42C-0000-2A-049-PX0C25①-__ _②	BCC M41C-M41C-3A-325-PX0C25①-__ _②
CE, UL, EAC	CE, UL, EAC	CE, UL, EAC
158	157	157

①	Material	Color	Number of conductors × conductor cross-section	Cable temperature fixed in place	Cable temperature flexed
<b>UNSHIELDED</b>					
PX0C25	PUR	Black	12 × 0.25 mm <sup>2</sup>	-50...+80 °C	-25...+80 °C

②	Cable length
<b>CONNECTION CABLE</b>	
020	2 m
050	5 m
100	10 m
<b>CABLE</b>	
003	0.3 m
006	0.6 m
010	1 m
020	2 m
050	5 m

Other cable lengths on request!

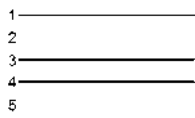
Connection	
Version	
Rated voltage	
Rated current	
Degree of protection	
unshielded, no LED, 3-conductor, N.O. signal	
unshielded, no LED, 4-conductor	
Approval/Conformity	
For drawing see page	

**M12 female, 3-conductor,  
N.O. signal**



PIN 1: brown  
PIN 3: blue  
PIN 4: black

**unshielded, no LED**

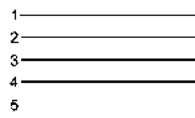


**M12 female, 4-conductor**



PIN 1: brown  
PIN 2: white  
PIN 3: blue  
PIN 4: black

**unshielded, no LED**





BCC M415 ...	BCC M425 ...
M12 female, A-coded	M12 female, A-coded
straight	angled
250 V AC/DC	250 V AC/DC
4 A	4 A
IP67, IP68, IP69K	IP67, IP68, IP69K
BCC M415-0000-1A-001-PH0334①-__ _②	BCC M425-0000-1A-001-PH0334①-__ _②
BCC M415-0000-1A-003-PH0434①-__ _②	BCC M425-0000-1A-003-PH0434①-__ _②
CE, UL, EAC	CE, UL, EAC
158	158

①	Material	Color	Number of conductors × conductor cross-section	Cable temperature fixed in place	Cable temperature flexed
<b>UNSHIELDED</b>					
PH0334	PUR	Black	3 × 0.34 mm <sup>2</sup>	-40...+120 °C	
PH0434	PUR	Black	4 × 0.34 mm <sup>2</sup>	-40...+120 °C	

②	Cable length
<b>CONNECTION CABLE</b>	
020	2 m
050	5 m
100	10 m

Other cable lengths on request!

**AVAILABLE AS BULK CABLE**

	Order code	Part number	Cable length
PH0434	BCC0H6E	BCC 0000-0000-00-000-PH0434-10X	100 m



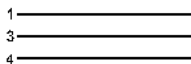
		BCC M313 ... BCC M314 ...
Connection		M8 female, A-coded
Version		straight
Rated voltage	No LED	60 V AC/DC
	with LED	–
Rated current		4 A
Degree of protection		IP67, IP69K
unshielded, no LED, 3-conductor		BCC M313-0000-10-001-PW3334①-__ _②
unshielded, no LED, 3-conductor, N.O. signal		–
unshielded, 2 × PNP-LED, 3-conductor, N.O. signal		–
unshielded, no LED, 4-conductor		BCC M314-0000-10-003-PW3434①-__ _②
unshielded, 3 × PNP-LED, 4-conductor		–
unshielded, 3 × PNP-LED, 5-conductor, with PE		–
Approval/Conformity		CE, EAC
For drawing see page		158

**M8 female, 3-conductor**



PIN 1: brown  
PIN 3: blue  
PIN 4: black

**unshielded, no LED**

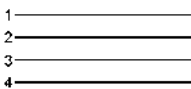


**M8 female, 4-conductor**



PIN 1: brown  
PIN 2: white  
PIN 3: blue  
PIN 4: black

**unshielded, no LED**

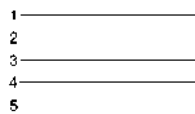


**M12 female, 3-conductor, N.O. signal**

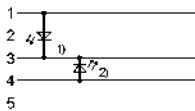


PIN 1: brown  
PIN 3: blue  
PIN 4: black

**unshielded, no LED**



**unshielded, 2 × PNP-LED**



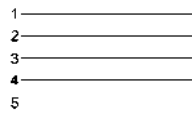
\* 1) LED green = Power  
2) LED yellow = Function  
3) LED red = Function

**M12 female, 4-conductor**

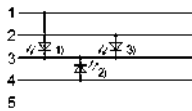


PIN 1: brown  
PIN 2: white  
PIN 3: blue  
PIN 4: black

**unshielded, no LED**



**unshielded, 3 × PNP-LED**

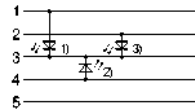


**M12 female, 5-conductor, with PE**



PIN 1: brown  
PIN 2: white  
PIN 3: blue  
PIN 4: black  
PIN 5: green/yellow

**unshielded, 3 × PNP-LED**





BCC M323 ... BCC M324 ...	BCC M415 ...	BCC M425 ...
M8 female, A-coded	M12 female, A-coded	M12 female, A-coded
angled	straight	angled
60 V AC/DC	250 V AC/DC	250 V AC/DC
–	–	30 V DC
4 A	4 A	4 A
IP67, IP69K	IP67, IP68, IP69K	IP67, IP68, IP69K
BCC M323-0000-10-001-PW3334①-__ _②	–	–
–	–	BCC M425-0000-1A-001-PW3334①-__ _②
–	–	BCC M425-0000-1A-004-PW3334①-__ _②
BCC M324-0000-10-003-PW3434①-__ _②	BCC M415-0000-1A-003-PW3434①-__ _②	BCC M425-0000-1A-003-PW3434①-__ _②
–	–	BCC M425-0000-1A-099-PW3434①-__ _②
–	–	BCC M425-0000-1A-100-PW3534①-__ _②
CE, EAC	CE, UL, EAC	CE, UL, EAC
158	158	158

①	Material	Color	Number of conductors × conductor cross-section	Cable temperature fixed in place	Cable temperature flexed
<b>UNSHIELDED</b>					
PW3334	PUR	Orange	3 × 0.34 mm <sup>2</sup>	–50...+90 °C	–25...+90 °C
PW3434	PUR	Orange	4 × 0.34 mm <sup>2</sup>	–50...+90 °C	–25...+90 °C
PW3534	PUR	Orange	5 × 0.34 mm <sup>2</sup>	–50...+90 °C	–25...+90 °C

②	Cable length
<b>CONNECTION CABLE</b>	
020	2 m
050	5 m
100	10 m

Other cable lengths on request!

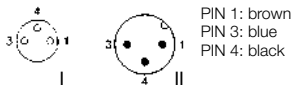
**AVAILABLE AS BULK CABLE**

	Order code	Part number	Cable length
PW3334	BCC0C1A	BCC 0000-0000-00-000-PW3334-10X	100 m
PW3434	BCC0C19	BCC 0000-0000-00-000-PW3434-10X	100 m
PW3534	BCC0C1F	BCC 0000-0000-00-003-PW3534-10X	100 m

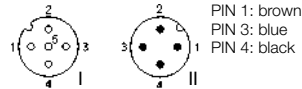


		BCC M323-M413 ...	
Connection		M8 female, A-coded/ M12 male, A-coded	
Version		angled/straight	
Rated voltage	No LED	–	
	with LED	30 V DC	
Rated current		4 A	
Degree of protection		IP67, IP69K/IP67, IP68, IP69K	
unshielded, 2 × PNP-LED, 3-conductor		BCC M323-M413-3E-602-PW3334①-__ _②	
unshielded, 2 × PNP-LED, 3-conductor, N.O. signal		–	
unshielded, no LED, 4-conductor		–	
unshielded, 3 × PNP-LED, 4-conductor		–	
unshielded, no LED, 5-conductor, with PE		–	
unshielded, 3 × PNP-LED, 5-conductor, with PE		–	
Approval/Conformity		CE, EAC	
For drawing see page		159	

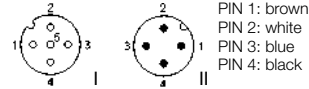
**M8 female/M12 male, 3-conductor**



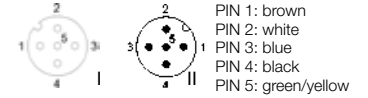
**M12 female/M12 male, 3-conductor, N.O. signal**



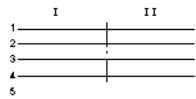
**M12 female/M12 male, 4-wire**



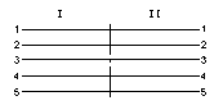
**M12 female/M12 male, 5-conductor, with PE**



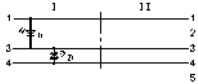
**unshielded, no LED**



**unshielded, no LED**



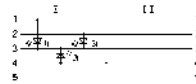
**unshielded, 2 × PNP-LED\***



**unshielded, 2 × PNP-LED\***



**unshielded, 3 × PNP-LED\***



**unshielded, 3 × PNP-LED\***



\* 1) LED green = Power  
2) LED yellow = Function  
3) LED red = Function



BCC M415-M414... BCC M415-M415...	BCC M425-M413... BCC M425-M414... BCC M425-M415...
M12 female, A-coded/ M12 male, A-coded	M12 female, A-coded/ M12 male, A-coded
straight/straight	angled/straight
250 V AC/DC	250 V AC/DC
30 V DC	30 V DC
4 A	4 A
IP67, IP68, IP69K/IP67, IP68, IP69K	IP67, IP68, IP69K/IP67, IP68, IP69K
-	-
-	BCC M425-M413-3A-602-PW3334①-__ _②
BCC M415-M414-3A-304-PW3434①-__ _②	BCC M425-M414-3A-304-PW3434①-__ _②
-	BCC M425-M414-3A-691-PW3434①-__ _②
BCC M415-M415-3A-313-PW3534①-__ _②	BCC M425-M415-3A-313-PW3534①-__ _②
-	BCC M425-M415-3A-692-PW3534①-__ _②
CE, UL, EAC	CE, UL, EAC
159	159

①	Material	Color	Number of conductors x conductor cross-section	Cable temperature fixed in place	Cable temperature flexed
<b>UNSHIELDED</b>					
PW3334	PUR	Orange	3 x 0.34 mm <sup>2</sup>	-50...+90 °C	-25...+90 °C
PW3434	PUR	Orange	4 x 0.34 mm <sup>2</sup>	-50...+90 °C	-25...+90 °C
PW3534	PUR	Orange	5 x 0.34 mm <sup>2</sup>	-50...+90 °C	-25...+90 °C

②	Cable length
<b>CABLE</b>	
003	0.3 m
006	0.6 m
010	1 m
015	1.5 m
020	2 m
050	5 m

Other cable lengths on request!

**AVAILABLE AS BULK CABLE**

	Order code	Part number	Cable length
PW3334	BCC0C1A	BCC 0000-0000-00-000-PW3334-10X	100 m
PW3434	BCC0C19	BCC 0000-0000-00-000-PW3434-10X	100 m
PW3534	BCC0C1F	BCC 0000-0000-00-003-PW3534-10X	100 m

Sensors

RFID

Machine Vision and  
Optical Identification

Human Machine  
Interfaces

Safety

Industrial Networking

Software and  
System Solutions

Power Supply

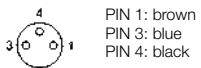
Connectivity

Accessories



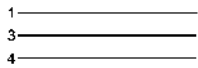
	BCC W313 ... BCC W314 ...	
Connection	M8 female, A-coded	
Version	straight	
Rated voltage	60 V AC/DC	
Rated current	4 A	
Degree of protection	IP65	
unshielded, no LED, 3-conductor	BCC W313-0000-10-001-BW8334①-__ _②	
unshielded, no LED, 4-conductor	BCC W314-0000-10-003-BW8434①-__ _②	
Approval/Conformity	CE, UL, EAC	
For drawing see page	159	

**M8 female, 3-conductor**



PIN 1: brown  
PIN 3: blue  
PIN 4: black

**unshielded, no LED**

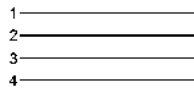


**M8 female, 4-conductor**



PIN 1: brown  
PIN 2: white  
PIN 3: blue  
PIN 4: black

**unshielded, no LED**

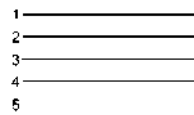


**M12 female, 4-conductor**



PIN 1: brown  
PIN 2: white  
PIN 3: blue  
PIN 4: black

**unshielded, no LED**







BCC W323 ... BCC W324 ...	BCC W415 ...	BCC W425 ...
M8 female, A-coded	M12 female, A-coded	M12 female, A-coded
angled	straight	angled
60 V AC/DC	250 V AC/DC	250 V AC/DC
4 A	4 A	4 A
IP65	IP65	IP65
BCC W323-0000-10-001-BW8334①-__ _②	-	-
BCC W324-0000-10-003-BW8434①-__ _②	BCC W415-0000-1A-003-BW8434①-__ _②	BCC W425-0000-1A-003-BW8434①-__ _②
CE, UL, EAC	CE, UL, EAC	CE, UL, EAC
159	159	159

①	Material	Color	Number of conductors × conductor cross-section	Cable temperature fixed in place	Cable temperature flexed
<b>UNSHIELDED</b>					
BW8334	TPE	Gray	3 × 0.34 mm <sup>2</sup>	-50...+130 °C	-40...+125 °C
BW8434	TPE	Gray	4 × 0.34 mm <sup>2</sup>	-50...+130 °C	-40...+125 °C

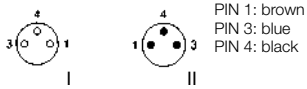
②	Cable length
<b>CONNECTION CABLE</b>	
020	2 m
050	5 m

Other cable lengths on request!



BCC W313-W313 ...	
Connection	M8 female, A-coded/ M8 male, A-coded
Version	straight/straight
Rated voltage	60 V AC/DC
Rated current	4 A
Degree of protection	IP65/IP65
unshielded, no LED, 3-conductor	BCC W313-W313-30-300-BW8334Ⓢ-_-_-Ⓢ
unshielded, no LED, 4-conductor	-
Approval/Conformity	CE, UL, EAC
For drawing see page	159

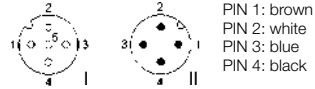
**M8 female/M8 male,  
3-wire**



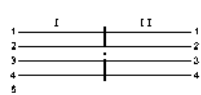
**unshielded, no LED**



**M12 female/M12 male,  
4-wire**



**unshielded, no LED**





BCC W415-W414 ...	BCC W425-W414 ...
M12 female, A-coded/ M12 male, A-coded	M12 female, A-coded/ M12 male, A-coded
straight/straight	angled/straight
250 V AC/DC	250 V AC/DC
4 A	4 A
IP65/IP65	IP65/IP65
–	–
BCC W415-W414-3A-304-BW8434①-__ _②	BCC W425-W414-3A-304-BW8434①-__ _②
CE, UL, EAC	CE, UL, EAC
159	159

①	Material	Color	Number of conductors x conductor cross-section	Cable temperature fixed in place	Cable temperature flexed
<b>UNSHIELDED</b>					
BW8334	TPE	Gray	3 x 0.34 mm <sup>2</sup>	-50...+130 °C	-40...+125 °C
BW8434	TPE	Gray	4 x 0.34 mm <sup>2</sup>	-50...+130 °C	-40...+125 °C

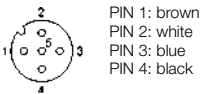
②	Cable length
<b>CABLE</b>	
003	0.3 m
006	0.6 m
010	1 m
015	1.5 m
020	2 m
050	5 m

Other cable lengths on request!

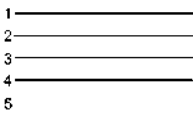


	<b>BCC W415 ...</b>	
Connection	M12 female, A-coded	
Version	straight	
Rated voltage	250 V AC/DC	
Rated current	4 A	
Degree of protection	IP65	
unshielded, no LED	BCC W415-0000-1A-003-SW0434①-__ _ ②	
unshielded, 3 × PNP-LED	–	
Approval/Conformity	CE, UL, EAC	
For drawing see page	160	

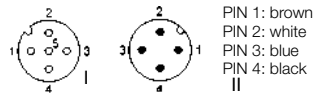
**M12 female**



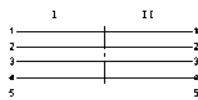
**unshielded, no LED**



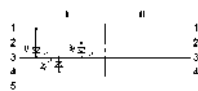
**M12 female/M12 male**



**unshielded, no LED**



**unshielded, 3 × PNP-LED**



\* 1) LED green = Power  
 2) LED yellow = Function  
 3) LED red = Function



BCC W425 ...	BCC W415 ... BCC W414 ...	BCC W425 ... BCC W414 ...
M12 female, A-coded	M12 female, A-coded/ M12 male, A-coded	M12 female, A-coded/ M12, A-coded, male
angled	straight/straight	angled/straight
250 V AC/DC	250 V AC/DC	250 V AC/DC
4 A	4 A	4 A
IP65	IP65/IP65	IP65/IP65
BCC W425-0000-1A-003-SW0434①-__-__②	BCC W415-W414-3A-304-SW0434①-__-__②	BCC W425-W414-3A-304-SW0434①-__-__②
-	BCC W415-W414-3A-650-SW0434①-__-__②	BCC W425-W414-3A-650-SW0434①-__-__②
CE, UL, EAC	CE, UL, EAC	CE, UL, EAC
160	160	160

①	Material	Color	Number of conductors x conductor cross-section	Cable temperature fixed in place	Cable temperature flexed
<b>UNSHIELDED</b>					
SW0434	Silicone	Black	4 x 0.34 mm <sup>2</sup>	-40...+200 °C	-25...+200 °C

②	Cable length
<b>CONNECTION CABLE</b>	
020	2 m
050	5 m
100	10 m
<b>CABLE</b>	
003	0.3 m
006	0.6 m
010	1 m
015	1.5 m
020	2 m
050	5 m

Other cable lengths on request!

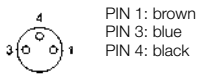
**AVAILABLE AS BULK CABLE**

	Order code	Part number	Cable length
SW0434	BCC0HA8	BCC 0000-0000-00-003-SW0434-10X	100 m

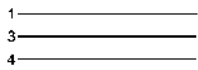


	BCC W313 ... BCC W314 ...	
Connection	M8 female, A-coded	
Version	straight	
Rated voltage	No LED	60 V AC/DC
Rated current		4 A
Degree of protection	unshielded	IP65
unshielded, no LED, 3-conductor		BCC W313-0000-10-001-TW0334①-__ _②
unshielded, no LED, 4-conductor		BCC W314-0000-10-003-TW0434①-__ _②
Approval/Conformity		CE, UL, EAC
For drawing see page		160

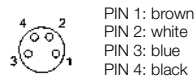
**M8 female, 3-conductor**



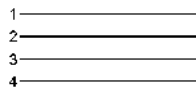
**unshielded, no LED**



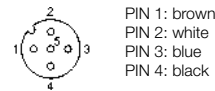
**M8 female, 4-conductor**



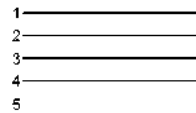
**unshielded, no LED**



**M12 female, 4-conductor**



**unshielded, no LED**





BCC W323 ... BCC W324 ...	BCC W415 ...	BCC W425 ...
M8 female, A-coded	M12 female, A-coded	M12 female, A-coded
angled	straight	angled
60 V AC/DC	250 V AC/DC	250 V AC/DC
4 A	4 A	4 A
IP65	IP65	IP65
BCC W323-0000-10-001-TW0334①-__ _②	-	-
BCC W324-0000-10-003-TW0434①-__ _②	BCC W415-0000-1A-003-TW0434①-__ _②	BCC W425-0000-1A-003-TW0434①-__ _②
CE, UL, EAC	CE, UL, EAC	CE, UL, EAC
161	161	161

①	Material	Color	Number of conductors × conductor cross-section	Cable temperature fixed in place	Cable temperature flexed
<b>UNSHIELDED</b>					
TW0334	FEP	Black	3 × 0.34 mm <sup>2</sup>	-100...+200 °C	-
TW0434	FEP	Black	4 × 0.34 mm <sup>2</sup>	-100...+200 °C	-

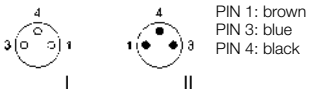
②	Cable length
<b>CONNECTION CABLE</b>	
020	2 m
050	5 m
100	10 m

Other cable lengths on request!



		BCC W313-W313 ...	
Connection		M8 female, A-coded/ M8 male, A-coded	
Version		straight/straight	
Rated voltage	No LED	60 V AC/DC	
	with LED	–	
Rated current		4 A	
Degree of protection	unshielded	IP65/IP65	
	unshielded, no LED, 3-conductor	BCC W313-W313-30-300-TW0334①-___②	
	unshielded, no LED, 4-conductor	–	
	unshielded, 3 × PNP-LED, 4-conductor	–	
Approval/Conformity		CE, UL, EAC	
For drawing see page		161	

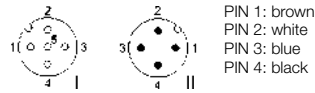
**M8 female/M8 male,  
3-wire**



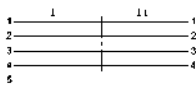
**unshielded, no LED**



**M12 female/M12 male,  
4-wire**



**unshielded, no LED**



**unshielded, 3 × PNP-LED**



\* ① LED green = Power  
 ② LED yellow = Function  
 ③ LED white = Function





BCC W415-W414 ...	BCC W425-W414 ...
M12 female, A-coded/ M12 male, A-coded	M12 female, A-coded/ M12 male, A-coded
straight/straight	angled/straight
250 V AC/DC	250 V AC/DC
30 V DC	30 V DC
4 A	4 A
IP65/IP65	IP65/IP65
-	-
BCC W415-W414-3A-304-TW0434①-__ _②	BCC W425-W414-3A-304-TW0434①-__ _②
BCC W415-W414-3A-650-TW0434①-__ _②	BCC W425-W414-3A-650-TW0434①-__ _②
CE, UL, EAC	CE, UL, EAC
161	161

①	Material	Color	Number of conductors × conductor cross-section	Cable temperature fixed in place	Cable temperature flexed
<b>UNSHIELDED</b>					
TW0334	FEP	Black	3 × 0.34 mm <sup>2</sup>	-100...+200 °C	-
TW0434	FEP	Black	4 × 0.34 mm <sup>2</sup>	-100...+200 °C	-

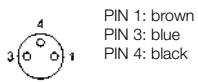
②	Cable length
<b>CABLE</b>	
003	0.3 m
006	0.6 m
010	1 m
015	1.5 m
020	2 m
050	5 m

Other cable lengths on request!

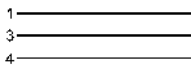


		BCC W313 ... BCC W314 ...
Connection		M8 female, A-coded
Version		straight
Rated voltage	No LED	60 V AC/DC
Rated current		4 A
Degree of protection	unshielded	IP65
unshielded, no LED, 3-conductor		BCC W313-0000-10-001-MW8334①-__ _Ⓞ
unshielded, no LED, 4-conductor		BCC W314-0000-10-003-MW8434①-__ _Ⓞ
Approval/Conformity		CE, UL, EAC
For drawing see page		161, 162

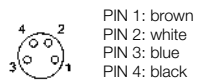
**M8 female, 3-conductor**



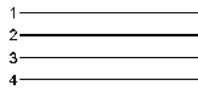
**unshielded, no LED**



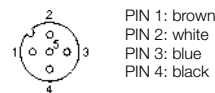
**M8 female, 4-conductor**



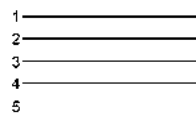
**unshielded, no LED**



**M12 female, 4-conductor**



**unshielded, no LED**





BCC W323 ... BCC W324 ...	BCC W415 ...	BCC W425 ...
M8 female, A-coded	M12 female, A-coded	M12 female, A-coded
angled	straight	angled
60 V AC/DC	250 V AC/DC	250 V AC/DC
4 A	4 A	4 A
IP65	IP65	IP65
BCC W323-0000-10-001-MW8334①-__ _②	-	-
BCC W324-0000-10-003-MW8434①-__ _②	BCC W415-0000-1A-003-MW8434①-__ _②	BCC W425-0000-1A-003-MW8434①-__ _②
CE, UL, EAC	CE, UL, EAC	CE, UL, EAC
162	162	162

①	Material	Color	Number of conductors × conductor cross-section	Cable temperature fixed in place	Cable temperature flexed
<b>UNSHIELDED</b>					
MW8334	V2A, metal braided	-	3 × 0.34 mm <sup>2</sup>	-50...+90 °C	-25...+90 °C
MW8434	V2A, metal braided	-	4 × 0.34 mm <sup>2</sup>	-50...+90 °C	-25...+90 °C

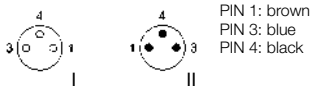
②	Cable length
<b>CONNECTION CABLE</b>	
006	0.6 m
010	1 m
020	2 m
050	5 m

Other cable lengths on request!



		<b>BCC W313-W313 ...</b>	
Connection		M8 female, A-coded/ M8 male, A-coded	
Version		straight/straight	
Rated voltage	No LED	60 V AC/DC	
Rated current		4 A	
Degree of protection	unshielded	IP65/IP65	
unshielded, no LED, 3-conductor		BCC W313-W313-30-300-MW8334 <sup>①</sup> -_-_- <sup>②</sup>	
unshielded, no LED, 4-conductor		-	
Approval/Conformity		CE, UL, EAC	
For drawing see page		162	

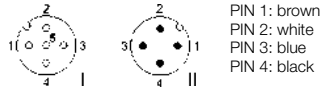
**M8 female/M8 male,  
3-wire**



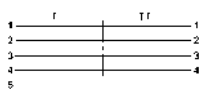
**unshielded, no LED**



**M12 female/M12 male,  
4-wire**



**unshielded, no LED**





BCC W323-W313 ...	BCC W415-W414 ...	BCC W425-W414 ...
M8 female, A-coded/ M8 male, A-coded	M12 female, A-coded/ M12 male, A-coded	M12 female, A-coded/ M12 male, A-coded
angled/straight	straight/straight	angled/straight
60 V AC/DC	250 V AC/DC	250 V AC/DC
4 A	4 A	4 A
IP65/IP65	IP65/IP65	IP65/IP65
BCC W323-W313-30-300-MW8334 <sup>①</sup> -__- <sup>②</sup>	-	-
-	BCC W415-W414-3A-304-MW8434 <sup>①</sup> -__- <sup>②</sup>	BCC W425-W414-3A-304-MW8434 <sup>①</sup> -__- <sup>②</sup>
CE, UL, EAC	CE, UL, EAC	CE, UL, EAC
162	162	162

①	Material	Color	Number of conductors x conductor cross-section	Cable temperature fixed in place	Cable temperature flexed
<b>UNSHIELDED</b>					
MW8334	V2A, metal braided	-	3 x 0.34 mm <sup>2</sup>	-50...+90 °C	-25...+90 °C
MW8434	V2A, metal braided	-	4 x 0.34 mm <sup>2</sup>	-50...+90 °C	-25...+90 °C

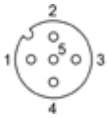
②	Cable length
<b>CABLE</b>	
003	0.3 m
006	0.6 m
010	1 m
015	1.5 m
020	2 m
050	5 m

Other cable lengths on request!



	BCC S4B5 ...	
Connection	M12x1 female, A-coded	
Version	straight	
Rated voltage	250 V AC/DC	
Rated current	4 A	
Degree of protection	IP67, IP69K	
unshielded, no LED 4-conductor	BCC S4B5-0000-1A-003-YX8434-__ _0-C009	
unshielded, no LED 5-conductor no PE		
unshielded, no LED 5-conductor with PE		
Approval/Conformity	CE, EAC, ECOLAB, WEEE	
For drawing see page	164	

**M12 female, 4-conductor**

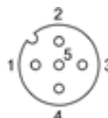


PIN 1: brown  
 PIN 2: white  
 PIN 3: blue  
 PIN 4: black

**unshielded, no LED**



**M12 female, 5-conductor, no PE**

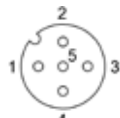


PIN 1: brown  
 PIN 2: white  
 PIN 3: blue  
 PIN 4: black  
 PIN 5: grey

**unshielded, no LED**



**M12 female, 5-conductor with PE**



PIN 1: brown  
 PIN 2: white  
 PIN 3: blue  
 PIN 4: black  
 PIN 5: green/yellow



BCC S4C5 ...	BCC S4B5 ...	BCC S4C5 ...
M12x1 female, A-coded	M12x1 female, A-coded	M12x1 female, A-coded
angled	straight	angled
250 V AC/DC	250 V AC/DC	250 VDC / 250 VAC
4 A	4 A	4 A
IP67, IP69K	IP67, IP69K	IP67, IP69K
BCC S4C5-0000-1A-003-YX8434-___①-C00		
	BCC S4B5-0000-1A-017-YX8534-___①-C009	BCC S4C5-0000-1A-017-YX8534-___①-C009
	BCC S4B5-0000-1A-034-YX8534-___①-C009	
CE, EAC, ECOLAB, WEEE	CE, EAC, ECOLAB, WEEE	CE, EAC, ECOLAB, WEEE
164	164	164

	Material	Color	Number of conductors × conductor cross-section	Cable temperature fixed in place	Cable temperature fixed
<b>UNSHIELDED</b>					
YX8434	TPE-V	grey	4 × 0.34 mm <sup>2</sup>	-50...+105 °C	-25...+105 °C
YX8435	TPE-V	grey	5 × 0.34 mm <sup>2</sup>	-50...+105 °C	-25...+105 °C

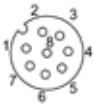
①	Cable length
<b>CONNECTION CABLE</b>	
020	2 m
050	5 m
100	10 m
150	15 m
200	20 m

Other cable lengths on request!

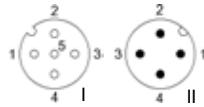


	<b>BCC S4B8 ...</b>	
Connection	M12x1 female, A-coded	
Version	straight	
Rated voltage	30 V AC/DC	
Rated current	2 A	
Degree of protection	IP67, IP69K	
Unshielded, no LED 4-conductor		
Unshielded, no LED 5-conductor mit PE		
Unshielded, no LED 8-conductor	BCC S4B8-0000-1A-045-YX8825-__ _⊕-C009	
Approval/Conformity	CE, EAC, ECOLAB, WEEE	
For drawing see page	164	

**M12 female**



**M12 female/M12 male, 4-conductor**

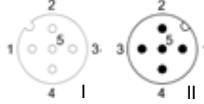


PIN 1: brown  
 PIN 2: white  
 PIN 3: blue  
 PIN 4: black

**Unshielded, no LED 8-conductor**



**M12 female/M12 male, 5-conductor with PE**

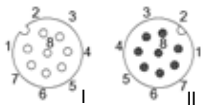


PIN 1: brown  
 PIN 2: white  
 PIN 3: blue  
 PIN 4: black  
 PIN 5: grün/gelb

**Unshielded, no LED 4-conductor**

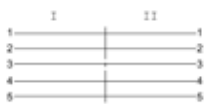


**M12 female/M12-Stecke, 8-conductor**

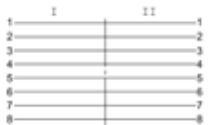


PIN 1: brown  
 PIN 2: white  
 PIN 3: blue  
 PIN 4: black  
 PIN 5: grey  
 PIN 6: pink  
 PIN 7: violett  
 PIN 8: orange

**Unshielded, no LED 5-conductor mit PE**



**Unshielded, no LED 8-conductor**







BCC S4B5 - S4B4 ...	BCC S4B5 - S4B5 ...	BCC S4B8 - S4B8 ...
M12, A female, A-coded M12, A male, A-coded	M12, A female, A-coded M12, A male, A-coded	M12, A female, A-coded M12, A male, A-coded
straight/straight	straight/straight	straight/straight
250 V AC/DC	60 V AC/DC	30 V AC/DC
4 A	4 A	2 A
IP67, IP69K	IP67, IP69K	IP67, IP69K
BCC S4B5-S4B4-3A-304-YX8434-__ _⓪-C009	BCC S4B5-S4B5-3A-313-YX8534-__ _⓪-C009	BCC S4B8-S4B8-3A-321-YX8825-__ _⓪-C009
CE, EAC, ECOLAB, WEEE	CE, EAC, ECOLAB, WEEE	CE, EAC, ECOLAB, WEEE
164	164	164

	Material	Color	Number of conductors × conductor cross-section	Cable temperature fixed in place	Cable temperature flexed
<b>UNSHIELDED</b>					
YX8434	TPE-V	grey	4 × 0.34 mm <sup>2</sup>	-50...+105 °C	-25...+105 °C
YX8534	TPE-V	grey	5 × 0.34 mm <sup>2</sup>	-50...+105 °C	-25...+105 °C
YX8825	TPE-V	grey	8 × 0,25 mm <sup>2</sup>	-50...+105 °C	-25...+105 °C

①	Cable length
<b>CONNECTION CABLE</b>	
020	2 m
050	5 m
100	10 m
150	15 m
<b>CABLE</b>	
0.6	0.6 m
020	2 m
050	5 m
100	10 m
150	15 m

Other cable lengths on request!



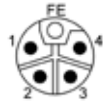
	BCC M414 ...	
Connection	M12x1 female, L-coded	
Version	straight	
Rated voltage	50 V DC / 60 V AC	
Rated current	16 A	
Degree of protection	IP65, IP67, IP69k	
unshielded no FE	BCC M414-0000-1L-003-PX04A5-__ _⓪	
Approval/Conformity	UL,CE, EAC, WEEE	
For drawing see page	168	

**M12 female no FE**



PIN 1: brown  
 PIN 2: white  
 PIN 3: blue  
 PIN 4: black

**M12 male no FE**



PIN 1: brown  
 PIN 2: white  
 PIN 3: blue  
 PIN 4: black

**unshielded no FE**





BCC M424 ...	BCC M415 ...	BCC M425 ...
M12x1 female, L-coded	M12x1 male, L-coded	M12x1 male, L-coded
angled	Sstraight	angled
50 V DC / 60 V AC	50 V DC / 60 V AC	50 V DC / 60 V AC
16 A	16 A	16 A
IP65, IP67, IP69k	IP65, IP67, IP69k	IP65, IP67, IP69k
BCC M424-0000-1L-003-PX04A5-___①	BCC M415-0000-2L-003-PX04A5-___①	BCC M425-0000-2L-003-PX04A5-___①
UL, CE, EAC, WEEE	UL, CE, EAC, WEEE	UL, CE, EAC, WEEE
168	168	168

	Material	Color	Number of conductors × conductor cross-section	Cable temperature fixed in place	Cable temperature fixed
<b>UNSHIELDED</b>					
PX04A5	PUR	black	4 × 1.5 mm <sup>2</sup>	-50...+80 °C	-20...+80 °C

①	Cable length
<b>CONNECTION CABLE</b>	
020	2 m
050	5 m
100	10 m

Other cable lengths on request!

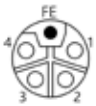
**AVAILABLE AS BULK CABLE**

	Order code	Part number	Cable length
PX04A5	BCC0ACF	BCC 0000-0000-00-000-PX04A5-10X	100 m



	BCC M415 ...	
Connection	M12x1 female, L-coded	
Version	straight	
Rated voltage	50 V DC / 60 V AC	
Rated current	16 A	
Degree of protection	IP65, IP67, IP69k	
unshielded with FE	BCC M415-0000-1L-150-PX85A5-5-__ _⓪	
Approval/Conformity	UL, CE, EAC, WEEE	
For drawing see page	168	

**M12 female with FE**



PIN 1: brown  
 PIN 2: white  
 PIN 3: blue  
 PIN 4: black  
 PIN 5: pink

**M12 male with FE**



PIN 1: brown  
 PIN 2: white  
 PIN 3: blue  
 PIN 4: black  
 PIN 5: pink

**unshielded with FE**





BCC M425 ...	BCC M415 ...	BCC M425 ...
M12x1 female, L-coded	M12x1 male, L-coded	M12x1 male, L-coded
angled	straight	angled
50 V DC / 60 V AC	50 V DC / 60 V AC	50 V DC / 60 V AC
16 A	16 A	16 A
IP65, IP67, IP69k	IP65, IP67, IP69k	IP65, IP67, IP69k
BCC M425-0000-1L-150-PX85A5-___①	BCC M415-0000-2L-150-PX85A5-___①	BCC M425-0000-2L-150-PX85A5-___①
UL, CE, EAC, WEEE	UL, CE, EAC, WEEE	UL, CE, EAC, WEEE
168	168	168

	Material	Color	Number of conductors × conductor cross-section	Cable temperature fixed in place	Cable temperature fixed
<b>UNSHIELDED</b>					
PX85A5	PUR	grey	5 × 1.5 mm <sup>2</sup>	-50...+80 °C	-20...+80 °C

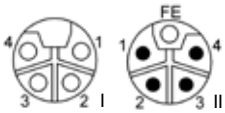
①	Cable length
<b>CONNECTION CABLE</b>	
020	2 m
050	5 m
100	10 m

Other cable lengths on request!

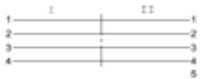


	BCC M414-M415 ...	
Connection	M12x1 female, L-coded M12x1 male, L-coded	
Version	straight/straight	
Rated voltage	50 V DC / 60 V AC	
Rated current	16 A	
Degree of protection	IP65, IP67, IP69k	
unshielded no FE	BCC M414-M415-3L-304-PX04A5-__ _Ⓢ	
Approval/Conformity	UL, CE, EAC, WEEE	
For drawing see page	169	

**M12 female/M12 male no FE**



**unshielded no FE**





<b>BCC M424-M425 ...</b>		
M12x1 female, L-coded M12x1 male, L-coded		
angled/angled		
50 V DC / 60 V AC		
16 A		
IP65, IP67, IP69k		
BCC M424-M425-3L-304-PX04A5-__ _ ①		
UL, CE, EAC, WEEE		
169		

	Material	Color	Number of conductors × conductor cross-section	Cable temperature fixed in place	Cable temperature fixed
<b>UNSHIELDED</b>					
PX04A5	PUR	black	4 × 1.5 mm <sup>2</sup>	-50...+80 °C	-20...+80 °C

①	Cable length
<b>CONNECTION CABLE</b>	
006	0.6 m
020	2 m
050	5 m
100	10 m
150	15 m

Other cable lengths on request!

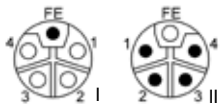
**AVAILABLE AS BULK CABLE**

	Order code	Part number	Cable length
PX04A5	BCC0ACF	BCC 0000-0000-00-000-PX04A5-10X	100 m



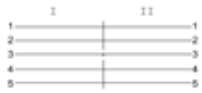
	BCC M415-5M415 ...	
Connection	M12x1 female, L-coded M12x1 male, L-coded	
Version	straight/straight	
Rated voltage	50 V DC / 60 V AC	
Rated current	16 A	
Degree of protection	IP65, IP67, IP69k	
Unshielded with FE	BCC M415-M415-3L-386-PX85A5-__ _Ⓢ	
Approval/Conformity	UL, CE, EAC, WEEE	
For drawing see page	169	

**M12 female/M12 male**



PIN 1: brown  
 PIN 2: white  
 PIN 3: blue  
 PIN 4: black  
 PIN 5: pink

**unshielded with FE**







BCC M415-M425 ...	BCC M425-M415 ...	BCC M425 ...
M12x1 female, L-coded M12x1 male, L-coded	M12x1 female, L-coded M12x1 male, L-coded	M12x1 female, L-coded M12x1 male, L-coded
straight/angled	straight/angled	angled/angled
50 V DC / 60 V AC	50 V DC / 60 V AC	50 V DC / 60 V AC
16 A	16 A	16 A
IP65, IP67, IP69k	IP65, IP67, IP69k	IP65, IP67, IP69k
BCC M415-M425-3L-386-PX85A5-___①	BCC M425-M415-3L-386-PX85A5-___①	BCC M425-M425-3L-386-PX85A5-___①
UL, CE, EAC, WEEE	UL, CE, EAC, WEEE	UL, CE, EAC, WEEE
169	169	169

	Material	Color	Number of conductors × conductor cross-section	Cable temperature fixed in place	Cable temperature fixed
<b>UNSHIELDED</b>					
PX8A5	PUR	grey	5 × 1.5 mm <sup>2</sup>	-50...+80 °C	-20...+80 °C

①	Cable length
<b>CONNECTION CABLE</b>	
006	0.6 m
020	2 m
050	5 m
100	10 m
150	15 m

Other cable lengths on request!



	BCC A313 ...	BCC A313 ...	
Connection	7/8" female	7/8" male	
Version	straight	straight	
Rated voltage	300 V AC/DC	300 V AC/DC	
Rated current	13 A	13 A	
Degree of protection	IP67, IP68	IP67, IP68	
unshielded, with PE	BCC A313-0000-10-097-PX03A5①-_-_-②	-	
unshielded, no PE	BCC A313-0000-10-071-VX43W6①-_-_-②	BCC A313-0000-20-071-VX43W6①-_-_-②	
Approval/Conformity	CE, UL, EAC	CE, UL, EAC	
For drawing see page	163	163	

**7/8" female, with PE**



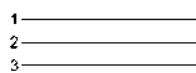
PIN 1: green/yellow  
PIN 2: brown  
PIN 3: blue



**7/8" female, no PE**



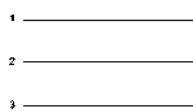
PIN 1: green  
PIN 2: black  
PIN 3: white



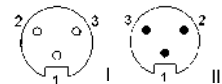
**7/8" male, no PE**



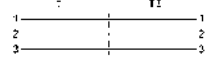
PIN 1: green  
PIN 2: black  
PIN 3: white



**7/8" female/7/8" male, with PE**



PIN 1: green/yellow  
PIN 2: brown  
PIN 3: blue





BCC A323 ...	BCC A323 ...	BCC A313-A313 ...
7/8" female	7/8" male	7/8" female/ 7/8" male
angled	angled	straight/straight
300 V AC/DC	300 V AC/DC	300 V AC/DC
13 A	13 A	13 A
IP67, IP68	IP67, IP68	IP67, IP68
BCC A323-0000-10-097-PX03A5①-_-_-②	-	BCC A313-A313-30-365-PX03A5①-_-_-②
BCC A323-0000-10-071-VX43W6①-_-_-②	BCC A323-0000-20-071-VX43W6①-_-_-②	-
CE, UL, EAC	CE, UL, EAC	CE, UL, EAC
163	163	163

①	Material	Color	Number of conductors x conductor cross-section	Cable temperature fixed in place	Cable temperature flexed
<b>UNSHIELDED</b>					
PX03A5	PUR	Black	3 x 1.5 mm <sup>2</sup>	-40...+80 °C	-20...+80 °C
VX43W6	PVC	Yellow	3 x AWG16	-40...+105 °C	-

②	Cable length
<b>CONNECTION CABLE</b>	
020	2 m
050	5 m
100	10 m
<b>CABLE</b>	
006	0.6 m
020	2 m
050	5 m
100	10 m

Other cable lengths on request!

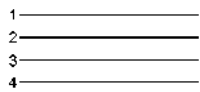
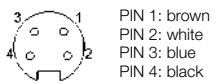
**AVAILABLE AS BULK CABLE**

	Order code	Part number	Cable length
VX43W6	BCC0AEF	BCC 0000-0000-00-071-VX43W6-10X	100 m

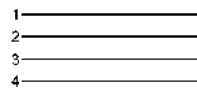
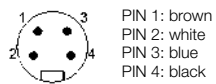


	BCC A314...	
Connection	7/8" female	
Version	straight	
Rated voltage	300 V AC/DC	
Rated current	10 A	
Degree of protection	IP67, IP68	
unshielded	BCC A314-0000-10-003-_____①-____②	
Approval/Conformity	CE, UL, EAC	
For drawing see page	163	

**7/8" female**



**7/8" male**





BCC A314 ...	BCC A324 ...	BCC A324 ...
7/8" male	7/8" female	7/8" male
straight	angled	angled
300 V AC/DC	300 V AC/DC	300 V AC/DC
10 A	10 A	10 A
IP67, IP68	IP67, IP68	IP67, IP68
BCC A314-0000-20-003-_____①-___②	BCC A324-0000-10-003-_____①-___②	BCC A324-0000-20-003-_____①-___②
CE, UL, EAC	CE, UL, EAC	CE, UL, EAC
163	166	166

①	Material	Color	Number of conductors × conductor cross-section	Cable temperature fixed in place	Cable temperature flexed
<b>UNSHIELDED</b>					
PX04A5	PUR	Black	4 × 1.5 mm <sup>2</sup>	-40...+80 °C	-20...+80 °C
VX44W6	PVC	Yellow	4 × AWG16	-40...+105 °C	-
EX44W6	TPE	Yellow	4 × AWG16	-50...+105 °C	-

②	Cable length
<b>CONNECTION CABLE</b>	
020	2 m
050	5 m
100	10 m

Other cable lengths on request!

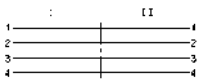
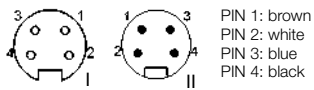
**AVAILABLE AS BULK CABLE**

	Order code	Part number	Cable length
PX04A5	BCC0ACF	BCC 0000-0000-00-000-PX04A5-10X	100 m
VX44W6	BCC0AEJ	BCC 0000-0000-00-003-VX44W6-10X	100 m
EX44W6	BCC0APC	BCC 0000-0000-00-003-EX44W6-10X	100 m



		BCC A314-A314...
Connection		7/8" female/ 7/8" male
Version		straight/straight
Rated voltage		300 V AC/DC
Rated current		10 A
Degree of protection		IP67, IP68
unshielded		BCC A314-A314-30-304-____-①-____②
Approval/Conformity		CE, UL, EAC
For drawing see page		166

**7/8" female/7/8" male**





BCC A314-A324...	BCC A324-A314 ...	BCC A324-A324 ...
7/8" female/ 7/8" male	7/8" female/ 7/8" male	7/8" female/ 7/8" male
straight/angled	angled/straight	angled/angled
300 V AC/DC	300 V AC/DC	300 V AC/DC
10 A	10 A	10 A
IP67, IP68	IP67, IP68	IP67, IP68
BCC A314-A324-30-304-_____①-__②	BCC A324-A314-30-304-_____①-__②	BCC A324-A324-30-304-_____①-__②
CE, UL, EAC	CE, UL, EAC	CE, UL, EAC
166	166	166

①	Material	Color	Number of conductors × conductor cross-section	Cable temperature fixed in place	Cable temperature flexed
<b>UNSHIELDED</b>					
PX04A5	PUR	Black	4 × 1.5 mm <sup>2</sup>	-40...+80 °C	-20...+80 °C
VX44W6	PVC	Yellow	4 × AWG16	-40...+105 °C	-
EX44W6	TPE	Yellow	4 × AWG16	-50...+105 °C	-

②	Cable length
<b>CABLE</b>	
006	0.6 m
020	2 m
050	5 m
100	10 m

Other cable lengths on request!

**AVAILABLE AS BULK CABLE**

	Order code	Part number	Cable length
PX04A5	BCC0ACF	BCC 0000-0000-00-000-PX04A5-10X	100 m
VX44W6	BCC0AEJ	BCC 0000-0000-00-003-VX44W6-10X	100 m
EX44W6	BCC0APC	BCC 0000-0000-00-003-EX44W6-10X	100 m

Sensors

RFID

Machine Vision and  
Optical Identification

Human Machine  
Interfaces

Safety

Industrial Networking

Software and  
System Solutions

Power Supply

Connectivity

Accessories

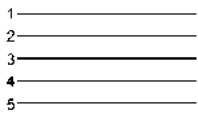


	BCC A315...	
Connection	7/8" female	
Version	straight	
Rated voltage	300 V AC/DC	
Rated current	9 A	
Degree of protection	IP67, IP68	
unshielded	BCC A315-0000-10-063-_____①-___②	
Approval/Conformity	CE, UL, EAC	
For drawing see page	166	

**7/8" female**



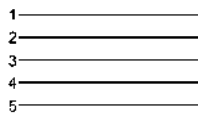
- PIN 1: black
- PIN 2: blue
- PIN 3: green/yellow
- PIN 4: brown
- PIN 5: white



**7/8" male**



- PIN 1: black
- PIN 2: blue
- PIN 3: green/yellow
- PIN 4: brown
- PIN 5: white







BCC A315 ...	BCC A325 ...	BCC A325 ...
7/8" male	7/8" female	7/8" male
straight	angled	angled
300 V AC/DC	300 V AC/DC	300 V AC/DC
9 A	9 A	9 A
IP67, IP68	IP67, IP68	IP67, IP68
BCC A315-0000-20-063-____①-____②	BCC A325-0000-10-063-____①-____②	BCC A325-0000-20-063-____①-____②
CE, UL, EAC	CE, UL, EAC	CE, UL, EAC
166	167	167

①	Material	Color	Number of conductors × conductor cross-section	Cable temperature fixed in place	Cable temperature flexed
<b>UNSHIELDED</b>					
PX05A5	PUR	Black	5 × 1.5 mm <sup>2</sup>	-40...+80 °C	-20...+80 °C
VX45W6	PVC	Yellow	5 × AWG16	-40...+105 °C	-

②	Cable length
<b>CONNECTION CABLE</b>	
020	2 m
050	5 m
100	10 m

Other cable lengths on request!

**AVAILABLE AS BULK CABLE**

	Order code	Part number	Cable length
PX05A5	BCC0ACH	BCC 0000-0000-00-000-PX05A5-10X	100 m
VX45W6	BCC0AEK	BCC 0000-0000-00-036-VX45W6-10X	100 m

Sensors

RFID

Machine Vision and Optical Identification

Human Machine Interfaces

Safety

Industrial Networking

Software and System Solutions

Power Supply

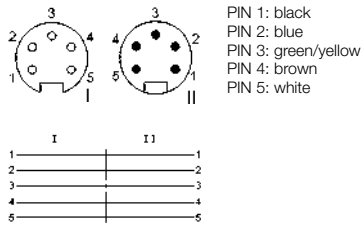
Connectivity

Accessories



		BCC A315-A315...
Connection		7/8" female/ 7/8" male
Version		straight/straight
Rated voltage		300 V AC/DC
Rated current		9 A
Degree of protection		IP67, IP68
unshielded with PE		BCC A315-A315-30-335-____-①-____②
Approval/Conformity		CE, UL, EAC
For drawing see page		167

**7/8" female/7/8" male**





BCC A315-A325...	BCC A325-A315 ...	BCC A325-A325 ...
7/8" female/ 7/8" male	7/8" female/ 7/8" male	7/8" female/ 7/8" male
straight/angled	angled/straight	angled/angled
300 V AC/DC	300 V AC/DC	300 V AC/DC
9 A	9 A	9 A
IP67, IP68	IP67, IP68	IP67, IP68
BCC A315-A325-30-335-____①-__②	BCC A325-A315-30-335-____①-__②	BCC A325-A325-30-335-____①-__②
CE, UL, EAC	CE, UL, EAC	CE, UL, EAC
167	167	167

①	Material	Color	Number of conductors x conductor cross-section	Cable temperature fixed in place	Cable temperature flexed
<b>UNSHIELDED</b>					
PX05A5	PUR	Black	5 x 1.5 mm <sup>2</sup>	-40...+80 °C	-20...+80 °C
VX45W6	PVC	Yellow	5 x AWG16	-40...+105 °C	-

②	Cable length
<b>CABLE</b>	
006	0.6 m
020	2 m
050	5 m
100	10 m

Other cable lengths on request!

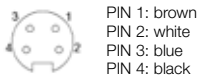
**AVAILABLE AS BULK CABLE**

	Order code	Part number	Cable length
PX05A5	BCC0ACH	BCC 0000-0000-00-000-PX05A5-10X	100 m
VX45W6	BCC0AEK	BCC 0000-0000-00-036-VX45W6-10X	100 m



BCC C3B4 ...	
Connection	7/8" female
Version	straight
Rated voltage	300 V AC/DC
Rated current	10 A
Degree of protection	IP69k
unshielded 4-conductor	BCC C3B4-0000-10-003-YX84A5-_-_-C009
unshielded 5-conductor	
Approval/Conformity	CE, EAC, ECOLAB, WEEE
For drawing see page	167

**7/8" female 4-conductor**



PIN 1: brown  
 PIN 2: white  
 PIN 3: blue  
 PIN 4: black

**7/8" female 5-conductor**



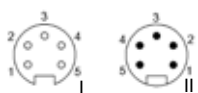
PIN 1: brown  
 PIN 2: white  
 PIN 3: blue  
 PIN 4: black  
 PIN 5: grün/gelb

**7/8" female/7/8" male 4-conductor**

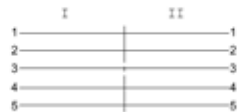


PIN 1: brown  
 PIN 2: white  
 PIN 3: blue  
 PIN 4: black

**7/8" female/7/8" male 5-conductor**



PIN 1: brown  
 PIN 2: white  
 PIN 3: blue  
 PIN 4: black  
 PIN 5: grün/gelb





BCC C3B5...	BCC C3B4-C3B4 ...	BCC C3B4-C3B4 ...
7/8" female	7/8" female 7/8" male	7/8" female 7/8" male
straight	straight/straight	straight
300 V AC/DC	300 V AC/DC	300 V AC/DC
9 A	10 A	9 A
IP69k	IP69k	IP69k
	BCC C3B4-C3B4-30-304-YX84A5-__ _①-C009	
BCC C3B5-0000-10-063-YX85A5-__ _①-C009		BCC C3B5-C3B5-30-335-YX85A5-__ _①-C009
CE, EAC, ECOLAB, WEEE	CE, EAC, ECOLAB, WEEE	CE, EAC, ECOLAB, WEEE
167	168	168

	Material	Color	Number of conductors × conductor cross-section	Cable temperature fixed in place	Cable temperature fixed
<b>UNSHIELDED</b>					
YX84A5	TPE-V	grey	4 × 1.5 mm <sup>2</sup>	-50...+105 °C	-25...+105 °C
YX85A5	TPE-V	grey	5 × 1.5 mm <sup>2</sup>	-50...+105 °C	-25...+105 °C

①	Cable length
<b>CONNECTION CABLE</b>	
020	2 m
050	5 m
010	10 m
015	15 m

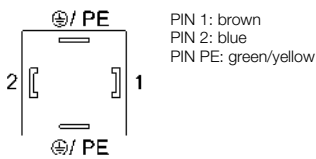
①	Cable length
<b>CONNECTION</b>	
006	0.6 m
020	2 m
050	5 m
100	10 m
150	15 m

Other cable lengths on request!



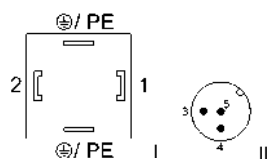
		BCC VA04 ...
Connection		DIN A, 18 mm, 0°/180°, female
Version		angled
Rated voltage	No LED	250 V AC/DC
	with LED	30 V AC/DC
Rated current		6 A
Degree of protection		IP67
No protection circuit, no LED, 3-conductor		BCC VA04-0000-10-054-____①-____②
With suppressor diode, with PNP-LED, 3-conductor		BCC VA04-0000-10-053-____①-____②
No protection circuit, with PNP-LED, 5-conductor		-
Approval/Conformity		CE, EAC
For drawing see page		168

**DIN A, 18 mm, 3-conductor**



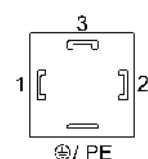
PIN 1: brown  
PIN 2: blue  
PIN PE: green/yellow

**DIN A, 18 mm/M12 male, 3-conductor**



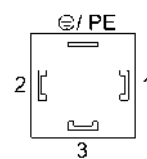
PIN 1: brown  
PIN 2: blue  
PIN PE: green/yellow  
PIN 3: blue  
PIN 4: brown  
PIN 5: green/yellow

**DIN A, 18 mm for pressure switch, 0°, 5-conductor**



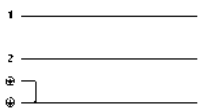
no PIN: blue  
PIN 1: brown  
PIN 2: white  
PIN 3: black  
PIN PE: green/yellow

**DIN A, 18 mm for pressure switch, 180°, 5-conductor**

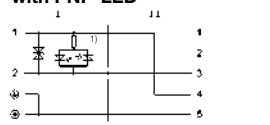


no PIN: blue  
PIN 1: brown  
PIN 2: white  
PIN 3: black  
PIN PE: green/yellow

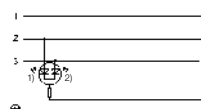
**No protection circuit, no LED**



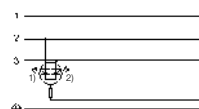
**With suppressor diode, with PNP-LED\***



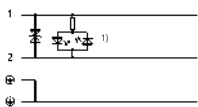
**No protection circuit, with PNP-LED\***



**No protection circuit, with PNP-LED\***



**With suppressor diode, with PNP-LED\***



\* 1) LED yellow  
2) LED green



BCC VA04-M413 ...	BCC PA04 ...	BCC PA24 ...
DIN A, 18 mm, 0°/180°, female/M12 male, A-coded	DIN A, 18 mm, for pressure switch, 0°, female	DIN A, 18 mm, for pressure switch, 180°, female
angled/straight	angled	angled
–	–	–
30 V AC/DC	30 V AC/DC	30 V AC/DC
6 A	6 A	6 A
IP67/IP67, IP69K	IP67	IP67
–	–	–
BCC VA04-M413-3E-664-__①-__②	–	–
–	BCC PA04-0000-10-070-PX0550①-__②	BCC PA24-0000-10-070-PX0550①-__②
CE, EAC	CE, EAC	CE, EAC
168	170	170

①	Material	Color	Number of conductors × conductor cross-section	Cable temperature fixed in place	Cable temperature flexed
<b>UNSHIELDED</b>					
PX0350	PUR	Black	3 × 0.5 mm <sup>2</sup>	–50...+80 °C	–25...+80 °C
VX8350	PVC	Gray	3 × 0.5 mm <sup>2</sup>	–40...+105 °C	+5...+105 °C
PX0550	PUR	Black	5 × 0.5 mm <sup>2</sup>	–50...+80 °C	–25...+80 °C

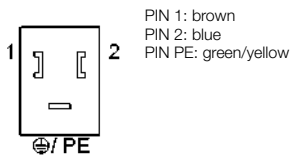
②	Cable length
<b>CONNECTION CABLE</b>	
020	2 m
050	5 m
100	10 m
<b>CABLE</b>	
003	0.3 m
006	0.6 m
010	1 m
015	1.5 m
020	2 m
050	5 m

Other cable lengths on request!

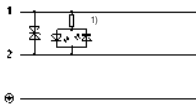


		BCC VB03 ...
Connection		DIN B, 10 mm, 0°, female
Version		angled
Rated voltage		30 V AC/DC
Rated current		4 A
Degree of protection		IP67
With suppressor diode, with PNP-LED		BCC VB03-0000-10-055-____①-____②
Approval/Conformity		CE, EAC
For drawing see page		170

**DIN B, 10 mm, 0°**

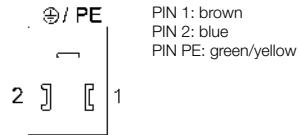


**With suppressor diode, with PNP-LED\***

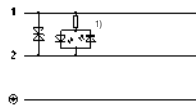


\* <sup>1)</sup> LED yellow

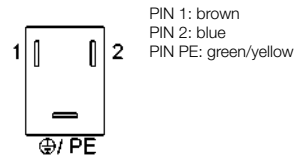
**DIN B, 10 mm, 180°**



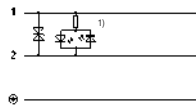
**With suppressor diode, with PNP-LED\***



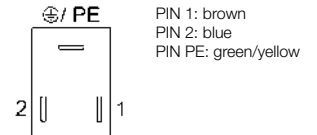
**Industry B, 11 mm, 0°**



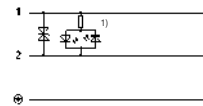
**With suppressor diode, with PNP-LED\***



**Industry B, 11 mm, 180°**



**With suppressor diode, with PNP-LED\***







BCC VB23 ...	BCC VB43 ...	BCC VB63 ...
DIN B, 10 mm, 180°, female	Industry B, 11 mm, 0°, female	Industry B, 11 mm, 180°, female
angled	angled	angled
30 V AC/DC	30 V AC/DC	30 V AC/DC
4 A	4 A	4 A
IP67	IP67	IP67
BCC VB23-0000-10-055-____①-____②	BCC VB43-0000-10-055-____①-____②	BCC VB63-0000-10-055-____①-____②
CE, EAC	CE, EAC	CE, EAC
170	170	170

①	Material	Color	Number of conductors x conductor cross-section	Cable temperature fixed in place	Cable temperature flexed
<b>UNSHIELDED</b>					
PX0350	PUR	Black	3 x 0.5 mm <sup>2</sup>	-50...+80 °C	-25...+80 °C
VX8350	PVC	Gray	3 x 0.5 mm <sup>2</sup>	-40...+105 °C	+5...+105 °C

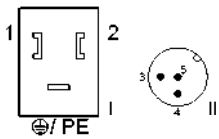
②	Cable length
<b>CONNECTION CABLE</b>	
020	2 m
050	5 m
100	10 m

Other cable lengths on request!



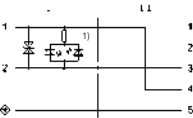
		BCC VB03-M413 ...
Connection		DIN B, 10 mm, 0°, female/M12 male, A-coded
Version		angled/straight
Rated voltage		30 V AC/DC
Rated current		4 A
Degree of protection		IP67
With suppressor diode, with PNP-LED		BCC VB03-M413-3E-666-PX0350-__ _@
Approval/Conformity		CE, EAC
For drawing see page		170

**DIN B, 10 mm, 0°/  
M12 male**



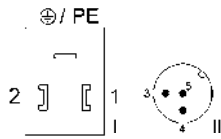
PIN 1: brown      PIN 3: blue  
 PIN 2: blue      PIN 4: brown  
 PIN PE: green/  
 yellow          PIN 5: green/  
 yellow

**With suppressor diode,  
 with PNP-LED\***



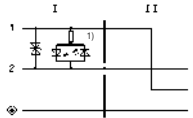
\* <sup>1)</sup> LED yellow

**DIN B, 10 mm, 180°/  
M12 male**

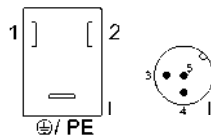


PIN 1: brown      PIN 3: blue  
 PIN 2: blue      PIN 4: brown  
 PIN PE: green/  
 yellow          PIN 5: green/  
 yellow

**With suppressor diode,  
 with PNP-LED\***

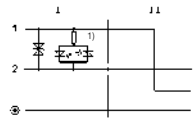


**Industry B, 11 mm, 0°/  
M12 male**

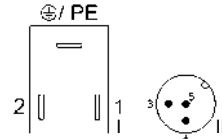


PIN 1: brown      PIN 3: blue  
 PIN 2: blue      PIN 4: brown  
 PIN PE: green/  
 yellow          PIN 5: green/  
 yellow

**With suppressor diode,  
 with PNP-LED\***

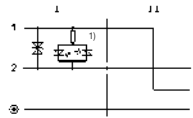


**Industry B, 11 mm, 180°/  
M12 male**



PIN 1: brown      PIN 3: blue  
 PIN 2: blue      PIN 4: brown  
 PIN PE: green/  
 yellow          PIN 5: green/  
 yellow

**With suppressor diode,  
 with PNP-LED\***





BCC VB23-M413 ...	BCC VB43-M413 ...	BCC VB63-M413 ...
DIN B, 10 mm, 180°, female/M12 male, A-coded	Industry B, 11 mm, 0°, female/M12 male, A-coded	Industry B, 11 mm, 180°, female/M12 male, A-coded
angled/straight	angled/straight	angled/straight
30 V AC/DC	30 V AC/DC	30 V AC/DC
4 A	4 A	4 A
IP67	IP67	IP67
BCC VB23-M413-3E-666-PX0350①-__ _②	BCC VB43-M413-3E-666-PX0350①-__ _②	BCC VB63-M413-3E-666-PX0350①-__ _②
CE, EAC	CE, EAC	CE, EAC
170	171	171

①		Color	Number of conductors x conductor cross-section	Cable temperature fixed in place	Cable temperature flexed
<b>UNSHIELDED</b>					
PX0350	PUR	Black	3 x 0.5 mm <sup>2</sup>	-50...+80 °C	-25...+80 °C

②	Cable length
<b>CABLE</b>	
003	0.3 m
006	0.6 m
010	1 m
015	1.5 m
020	2 m
050	5 m

Other cable lengths on request!

Sensors

RFID

Machine Vision and Optical Identification

Human Machine Interfaces

Safety

Industrial Networking

Software and System Solutions

Power Supply

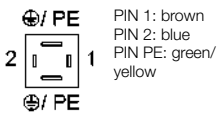
Connectivity

Accessories



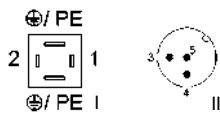
		BCC VC04 ...
Connection		DIN C, 8 mm, 0°/180°, female
Version		angled
Rated voltage		30 V AC/DC
Rated current		4 A
Degree of protection		IP67
With suppressor diode, with PNP-LED		BCC VC04-0000-10-053-____①-____②
Approval/Conformity		CE, EAC
For drawing see page		171

**DIN C, 8 mm**



PIN 1: brown  
PIN 2: blue  
PIN PE: green/  
yellow

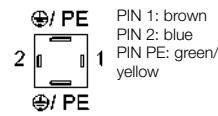
**DIN C, 8 mm/  
M12 male**



PIN 1: brown  
PIN 2: blue  
PIN PE: green/  
yellow

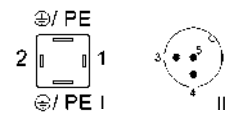
PIN 3: blue  
PIN 4: brown  
PIN 5: green/  
yellow

**Industry C, 9.4 mm**



PIN 1: brown  
PIN 2: blue  
PIN PE: green/  
yellow

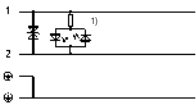
**Industry C, 9.4 mm/  
M12 male**



PIN 1: brown  
PIN 2: blue  
PIN PE: green/  
yellow

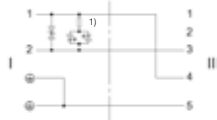
PIN 3: blue  
PIN 4: brown  
PIN 5: green/  
yellow

**With suppressor diode,  
with PNP-LED\***



\* <sup>1)</sup> LED yellow

**With suppressor diode,  
with PNP-LED\***



**With suppressor diode,  
with PNP-LED\***



**With suppressor diode,  
with PNP-LED\***





BCC VC04-M413 ...	BCC VC44 ...	BCC VC44-M413 ...
DIN C, 8 mm, 0°/180°, female/M12 male, A-coded	Industry C, 9.4 mm, 0°/180°, female	Industry C, 9.4 mm, 0°/180°, female/M12 male, A-coded
angled/straight	angled	angled/straight
30 V AC/DC	30 V AC/DC	30 V AC/DC
4 A	4 A	4 A
IP67	IP67	IP67
BCC VC04-M413-3E-664-PX0350①-__ _②	BCC VC44-0000-10-053-_____①-__ _②	BCC VC44-M413-3E-664-PX0350①-__ _②
CE, EAC	CE, EAC	CE, EAC
171	171	<?>

①	Material	Color	Number of conductors × conductor cross-section	Cable temperature fixed in place	Cable temperature flexed
<b>UNSHIELDED</b>					
PX0350	PUR	Black	3 × 0.5 mm <sup>2</sup>	-50...+80 °C	-25...+80 °C
VX8350	PVC	Gray	3 × 0.5 mm <sup>2</sup>	-40...+105 °C	+5...+105 °C

②	Cable length
<b>CONNECTION CABLE</b>	
020	2 m
050	5 m
100	10 m
<b>CABLE</b>	
003	0.3 m
006	0.6 m
010	1 m
015	1.5 m
020	2 m
050	5 m

Other cable lengths on request!



BCC M414-M414...	
Connection	M12 male, D-coded/ M12 male, D-coded
Version	straight/straight
Rated voltage	250 V AC/DC
Rated current	4 A
Degree of protection	IP67, IP68, IP69K/IP67, IP68, IP69K
shielded	BCC M414-M414-6D-331-PS54N2①-__ _ ②
Approval/Conformity	UL, EAC
For drawing see page	171

**M12 male/M12 male**



PIN 1: yellow  
PIN 2: white  
PIN 3: orange  
PIN 4: blue

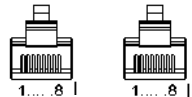
**M12 male/  
RJ45 male**



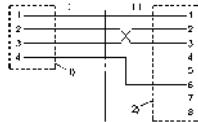
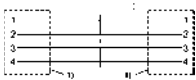
PIN 1: yellow  
PIN 2: white  
PIN 3: orange  
PIN 4: blue

PIN 1: yellow  
PIN 2: orange  
PIN 3: white  
PIN 6: blue

**RJ45 male/  
RJ45 male**



PIN 1: yellow  
PIN 2: orange  
PIN 3: white  
PIN 6: blue



<sup>1)</sup> Shield on cover nut  
<sup>2)</sup> Shield on housing



BCC M414-E834...	BCC E834-E834 ...
M12 male, D-coded/ RJ45, male	RJ45, male/ RJ45, male
straight	straight/straight
125 V AC/DC	125 V AC/DC
1 A	1 A
IP67, IP68, IP69K/IP20	IP20, IP20
BCC M414-E834-8G-668-PS54N2①-__ _ ②	BCC E834-E834-90-334-PS54N2①-__ _ ②
CE, EAC	CE, EAC
171	172

①	Material	Color	Number of conductors × conductor cross-section	Cable temperature fixed in place	Cable temperature flexed
<b>SHIELDED</b>					
PS54N2	PUR	Green	4 × AWG22	-40...+80 °C	-20...+60 °C

②	Cable length
<b>CABLE</b>	
006	0.6 m
020	2 m
050	5 m
100	10 m
150	15 m
200	20 m

Other cable lengths on request!

**AVAILABLE AS BULK CABLE**

	Order code	Part number	Cable length
PS54N2	BCC0AC6	BCC 0000-0000-00-000-PS54N2-10X	100 m

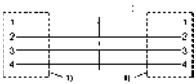


BCC M414-M414...	
Connection	M12 male, D-coded/ M12 male, D-coded
Version	straight/straight
Rated voltage	250 V AC/DC
Rated current	4 A
Degree of protection	IP67, IP68, IP69K/IP67, IP68, IP69K
shielded	BCC M414-M414-6D-338-ES64N9①-__ _ ②
Approval/Conformity	UL, EAC
For drawing see page	171

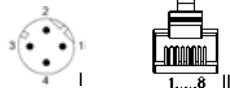
**M12 male/M12 male**



PIN 1: white/orange  
PIN 2: white/green  
PIN 3: orange  
PIN 4: green

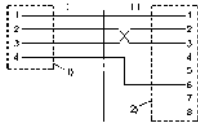


**M12 male/  
RJ45 male**

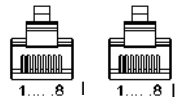


PIN 1: white/orange  
PIN 2: white/green  
PIN 3: orange  
PIN 4: green

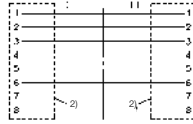
PIN 1: white/orange  
PIN 2: orange  
PIN 3: white/green  
PIN 6: green



**RJ45 male/  
RJ45 male**



PIN 1: white/orange  
PIN 2: orange  
PIN 3: white/green  
PIN 6: green



<sup>1)</sup> Shield on cover nut  
<sup>2)</sup> Shield on housing





BCC M414-E834...	BCC E834-E834 ...
M12 male, D-coded/ RJ45, male	RJ45, male/ RJ45, male
straight/straight	straight/straight
30 V AC/42 V DC	30 V AC/42 V DC
1 A	1 A
IP67, IP68, IP69K/IP20	IP20/IP20
BCC M414-E894-8G-672-ES64N9①-__ _②	BCC E894-E894-90-339-ES64N9①-__ _②
CE, EAC	CE, EAC
172	172

①	Material	Color	Number of conductors × conductor cross-section	Cable temperature fixed in place	Cable temperature flexed
<b>SHIELDED</b>					
ES64N9	TPE	turquoise blue	2 × 2 AWG24	-40...+80 °C	-40...+80 °C

②	Cable length
<b>CABLE</b>	
006	0.6 m
010	1 m
020	2 m
050	5 m
100	10 m
150	15 m
200	20 m

Other cable lengths on request!

**AVAILABLE AS BULK CABLE**

	Order code	Part number	Cable length
ES64N9	BCC0AUJ	BCC 0000-0000-00-168-ES64N9-10X	100 m

Sensors

RFID

Machine Vision and  
Optical Identification

Human Machine  
Interfaces

Safety

Industrial Networking

Software and  
System Solutions

Power Supply

Connectivity

Accessories



BCC M418-M418...	
Connection	M12 male, X-coded/ M12 male, X-coded
Version	straight/straight
Rated voltage	50 V AC/60 V DC
Rated current	0.5 A
Degree of protection	IP67/IP67
shielded	BCC M418-M418-6X-378-PS58N9①-__ _ ②
Approval/Conformity	CE, UL, EAC
For drawing see page	172

**M12 male/M12 male**



PIN 1: white/orange  
PIN 2: orange  
PIN 3: white/green  
PIN 4: green  
PIN 5: white/brown  
PIN 6: brown  
PIN 7: white/blue  
PIN 8: blue

**M12 male/  
RJ45 male**



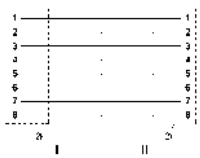
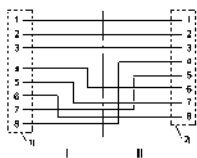
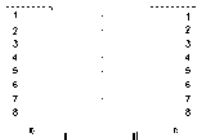
PIN 1: white/orange  
PIN 2: orange  
PIN 3: white/green  
PIN 4: green  
PIN 5: white/brown  
PIN 6: brown  
PIN 7: white/blue  
PIN 8: blue

PIN 1: white/orange  
PIN 2: orange  
PIN 3: white/green  
PIN 4: blue  
PIN 5: white/blue  
PIN 6: green  
PIN 7: white/brown  
PIN 8: brown

**RJ45 male/  
RJ45 male**



PIN 1: white/orange  
PIN 2: orange  
PIN 3: white/green  
PIN 4: blue  
PIN 5: white/blue  
PIN 6: green  
PIN 7: white/brown  
PIN 8: brown



<sup>1)</sup> Shield on cover nut  
<sup>2)</sup> Shield on housing



BCC M418-E818...	BCC E818-E818 ...
M12 male, X-coded/ RJ45, male	RJ45, male/ RJ45, male
straight/straight	straight/straight
50 V AC/60 V DC	50 V AC/60 V DC
0.5 A	0.5 A
IP67/IP20	IP20/IP20
BCC M418-E818-8X0-723-PS58N9①-__ _②	BCC E818-E818-90-377-PS58N9①-__ _②
CE, UL, EAC	CE, UL, EAC
172	172

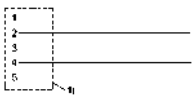
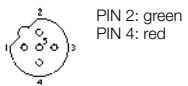
①	Material	Color	Number of conductors × conductor cross-section	Cable temperature fixed in place	Cable temperature flexed
<b>SHIELDED</b>					
PS58N9	PUR	Green	4 × 2 AWG26	-40...+85 °C	-10...+60 °C

②	Cable length
<b>CABLE</b>	
010	1 m
020	2 m
050	5 m
100	10 m

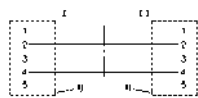
Other cable lengths on request!

Connection	
Version	
Rated voltage	
Rated current	
Degree of protection	
shielded	
Approval/Conformity	
For drawing see page	

**M12 female**



**M12 female/M12 male**



<sup>1)</sup> Shield on cover nut



BCC M415 ...	BCC M415-M412...
M12 female, B-coded	M12 female, B-coded/ M12 male, B-coded
straight	straight/straight
250 V AC/DC	250 V DC
4 A	4 A
IP67	IP67/IP67
BCC M415-0000-1B-031-PS72N1①-__ _②	BCC M415-M412-3B-329-PS72N1①-__ _②
UL, EAC	UL, EAC
172	173

①	Material	Color	Number of conductors × conductor cross-section	Cable temperature fixed in place	Cable temperature flexed
<b>SHIELDED</b>					
PS72N1	PUR	Violet	2 × AWG24	-40...+70 °C	-20...+60 °C

②	Cable length
<b>CONNECTION CABLE</b>	
003	0.3 m
006	0.6 m
010	1 m
020	2 m
050	5 m
100	10 m
150	15 m
<b>CABLE</b>	
020	2 m
050	5 m
100	10 m

Other cable lengths on request!

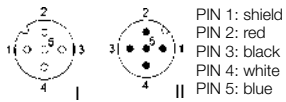
**AVAILABLE AS BULK CABLE**

	Order code	Part number	Cable length
PS72N1	BCC0ACA	BCC 0000-0000-00-000-PS72N1-10X	100 m

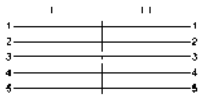
Sensors  
RFID  
Machine Vision and Optical Identification  
Human Machine Interfaces  
Safety  
Industrial Networking  
Software and System Solutions  
Power Supply  
Connectivity  
Accessories

Connection	
Version	
Rated voltage	
Rated current	
Degree of protection	
shielded, thick	
shielded, thin	
Approval/Conformity	
For drawing see page	

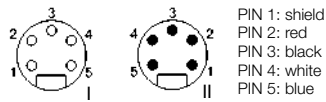
**M12 female/M12 male**



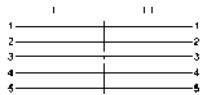
PIN 1: shield  
 PIN 2: red  
 PIN 3: black  
 PIN 4: white  
 PIN 5: blue



**7/8" female/7/8" male**



PIN 1: shield  
 PIN 2: red  
 PIN 3: black  
 PIN 4: white  
 PIN 5: blue





BCC M415-M415...	BCC A315-A315...
M12 female, A-coded/ M12 male, A-coded	7/8", female/ 7/8", male
straight/straight	straight/straight
60 V AC/DC	300 V DC
4 A	9 A
IP67, IP68, IP69K/IP67, IP68, IP69K	IP67, IP68/IP67, IP68
-	BCC A315-A315-30-330-____-①-____②
BCC M415-M415-3A-330-____-①-____②	BCC A315-A315-30-330-____-①-____②
CE, UL, EAC	UL, EAC
173	173

①	Material	Color	Number of conductors x conductor cross-section	Cable temperature fixed in place	Cable temperature flexed
<b>SHIELDED, THICK</b>					
PS85N4	PUR	Gray	2 x AWG15 2 x AWG18	-20...+80 °C	-
VS85N4	PVC	Gray	2 x AWG15 2 x AWG18	-40...+80 °C	-
<b>SHIELDED, THIN</b>					
PS85N6	PVC	Gray	2 x AWG22 2 x AWG22	-20...+80 °C	-
VS85N6	PVC	Gray	2 x AWG22 2 x AWG22	-20...+80 °C	-

②	Cable length
<b>CABLE</b>	
006	0.6 m
010	1 m
020	2 m
050	5 m
100	10 m

Other cable lengths on request!

**AVAILABLE AS BULK CABLE**

	Order code	Part number	Cable length
PS85N4	BCC0AEM	BCC 0000-0000-00-030-PS85N4-10X	100 m
VS85N4	BCC0AEL	BCC 0000-0000-00-030-VS85N4-10X	100 m
PS85N6	BCC0AER	BCC 0000-0000-00-030-PS85N6-10X	100 m
VS85N6	BCC0AEP	BCC 0000-0000-00-030-VS85N6-10X	100 m

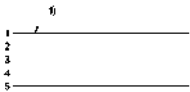


BCC M415 ...	
Connection	M12 female, A-coded
Version	straight
Rated voltage	250 V AC/DC
Rated current	4 A
Degree of protection	IP67, IP68, IP69K
shielded	BCC M415-0000-1A-068-VS24N7①-__ _②
Approval/Conformity	UL, EAC
For drawing see page	173

**M12 female**



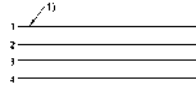
PIN 1: shield  
 PIN 2: white  
 PIN 3: yellow  
 PIN 4: blue



**M12 male**



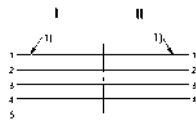
PIN 1: shield  
 PIN 2: white  
 PIN 3: yellow  
 PIN 4: blue



**M12 female/M12 male**



PIN 1: shield  
 PIN 2: white  
 PIN 3: yellow  
 PIN 4: blue



<sup>1)</sup> Shield on PIN 1





BCC M414 ...	BCC M415-M414 ...
M12 male, A-coded	M12 female, A-coded/ M12 male, A-coded
straight	straight/straight
250 V AC/DC	250 V AC/DC
4 A	4 A
IP67, IP68, IP69K	IP67, IP68, IP69K/IP67, IP68, IP69K
BCC M414-0000-2A-068-VS24N7①-__ _②	BCC M415-M414-3A-337-VS24N7①-__ _②
UL, EAC	UL, EAC
173	173

①	Material	Color	Number of conductors × conductor cross-section	Cable temperature fixed in place	Cable temperature flexed
<b>SHIELDED</b>					
VS24N7	PVC	Red	3 × AWG20	-40...+70 °C	-

②	Cable length
<b>CONNECTION CABLE</b>	
020	2 m
050	5 m
100	10 m
<b>CABLE</b>	
006	0.6 m
020	2 m
050	5 m
100	10 m

Other cable lengths on request!

**AVAILABLE AS BULK CABLE**

	Order code	Part number	Cable length
VS24N7	BCC0ACE	BCC 0000-0000-00-000-VS24N7-10X	100 m

Sensors

RFID

Machine Vision and  
Optical Identification

Human Machine  
Interfaces

Safety

Industrial Networking

Software and  
System Solutions

Power Supply

**Connectivity**

Accessories

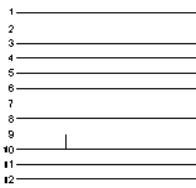


		BCC M61C ...
Connection		M23 female, 12-pin
Version		straight
Rated voltage		250 V AC/DC
Rated current		8 A
Degree of protection		IP67
unshielded, no LED, 3-conductor		BCC M61C-0000-10-065-PX0BP4①-__ _ _ ②
Approval/Conformity		EAC
For drawing see page		173

**M23 female, 12-pin**



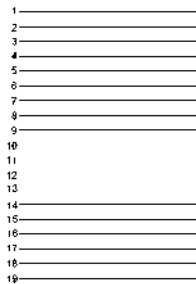
- PIN 1: white
- PIN 2: green
- PIN 3: yellow
- PIN 4: gray
- PIN 5: gray/pink
- PIN 6: red/blue
- PIN 7: white/green
- PIN 8: brown/green
- PIN 9: blue
- PIN 10: blue
- PIN 11: brown
- PIN 12: green/yellow



**M23 female, 19-pin**



- PIN 1: purple
- PIN 2: red
- PIN 3: gray
- PIN 4: red/blue
- PIN 5: green
- PIN 6: blue
- PIN 7: gray/pink
- PIN 8: white/green
- PIN 9: white/yellow
- PIN 10: white/gray
- PIN 11: black
- PIN 12: green/yellow
- PIN 13: yellow/brown
- PIN 14: brown/green
- PIN 15: white
- PIN 16: yellow
- PIN 17: pink
- PIN 18: gray/brown
- PIN 19: brown





BCC M62C ...	BCC M61L ...	BCC M62L ...
M23 female, 12-pin	M23 female, 19-pin	M23 female, 19-pin
angled	straight	angled
250 V AC/DC	125 V AC/DC	125 V AC/DC
8 A	3 × 10 A/16 × 8 A	3 × 10 A/16 × 8 A
IP67	IP67	IP67
BCC M62C-0000-10-065-PX0BP4①-__ _②	BCC M61L-0000-10-022-PX0LP4①-__ _②	BCC M62L-0000-10-022-PX0LP4①-__ _②
EAC	CE, EAC	CE, EAC
173	174	174

①	Material	Color	Number of conductors × conductor cross-section	Cable temperature fixed in place	Cable temperature flexed
<b>UNSHIELDED</b>					
PX0BP4	PUR	Black	3 × 1.0 mm <sup>2</sup> 8 × 0.5 mm <sup>2</sup>	-50...+80 °C	-25...+80 °C
PX0LP4	PUR	Black	3 × 1.0 mm <sup>2</sup> 16 × 0.5 mm <sup>2</sup>	-50...+80 °C	-25...+80 °C

②	Cable length
<b>CONNECTION CABLE</b>	
020	2 m
050	5 m
100	10 m

Other cable lengths on request!



	<b>BCC0069</b> BKS-S 48-15-CP-02	<b>BCC006A</b> BKS-S 48-15-CP-05	
Connection	M8x1-Female, straight, 3-pole, A-coded	M8x1-Female, straight, 3-pole, A-coded	
Power indicator	—	—	
Function indicator (Pin 2)	—	—	
Function indicator (Pin 3)	—	—	
Function indicator (Pin 4)	—	—	
Suppressor	—	—	
Interface	—	—	
Cable	PUR Shielded black, 2.00 m	PUR Shielded black, 5.00 m	
Number of conductors	2	2	
Cable temperature, fixed routing	-40...70 °C	-40...70 °C	
Cable temperature, flexible routing	5...70 °C	5...70 °C	
Operating voltage U <sub>b</sub>	36 VDC / 30 VAC	36 VDC / 30 VAC	
Rated current (40 °C)	3.0 A	3.0 A	
Protection degree	IP67	IP67	
Approval/Conformity	CE, EAC	CE, EAC	
Productview	Page 168	Page 168	



	<b>BCC006C</b> BKS-S 48-15-CP-10	<b>BCC0098</b> BKS-S137-19-PC-02	<b>BCC0099</b> BKS-S137-19-PC-05	<b>BCC009A</b> BKS-S137-19-PC-10
	M8x1-Female, straight, 3-pole, A-coded	M12x1-Female, straight, 5-pole, A-coded	M12x1-Female, straight, 5-pole, A-coded	M12x1-Female, straight, 5-pole, A-coded
	—	—	—	—
	—	—	—	—
	—	—	—	—
	—	—	—	—
	—	—	—	—
	PUR Shielded black, 10.00 m	PUR Shielded black, 2.00 m, Drag chain compatible	PUR Shielded black, 5.00 m, Drag chain compatible	PUR Shielded black, 10.00 m, Drag chain compatible
	2	5	5	5
	-40...70 °C	-50...80 °C	-50...80 °C	-50...80 °C
	5...70 °C	-25...80 °C	-25...80 °C	-25...80 °C
	36 VDC / 30 VAC	36 VDC / 30 VAC	36 VDC / 30 VAC	36 VDC / 30 VAC
	3.0 A	4.0 A	4.0 A	4.0 A
	IP67	IP68	IP68	IP68
	CE, EAC	CE, EAC	CE, EAC	CE, EAC
	Page 168	Page 168	Page 168	Page 168



	<b>BCC00TU</b> BKS-S 32M-02	<b>BCC00TY</b> BKS-S 32M-05	
Connection	M16x0.75-Female, straight, 8-pole	M16x0.75-Female, straight, 8-pole	
Power indicator	—	—	
Function indicator (Pin 2)	—	—	
Function indicator (Pin 3)	—	—	
Function indicator (Pin 4)	—	—	
Suppressor	—	—	
Interface	—	—	
Cable	PUR Shielded black, 2.00 m, Drag chain compatible	PUR Shielded black, 5.00 m, Drag chain compatible	
Number of conductors	8	8	
Cable temperature, fixed routing	-50...80 °C	-50...80 °C	
Cable temperature, flexible routing	-25...80 °C	-25...80 °C	
Operating voltage $U_b$	60 VDC / 60 VAC	60 VDC / 60 VAC	
Rated current (40 °C)	5.0 A	5.0 A	
Protection degree	IP67	IP67	
Approval/Conformity	CE, EAC	CE, EAC	
Productview	Page 168	Page 168	



<b>BCC00TZ</b> BKS-S 32M-10			
M16x0.75-Female, straight, 8-pole			
—			
—			
—			
—			
—			
—			
PUR Shielded black, 10.00 m, Drag chain compatible			
8			
-50...80 °C			
-25...80 °C			
60 VDC / 60 VAC			
5.0 A			
IP67			
CE, EAC			
Page 168			



	<b>BCC00UR</b> BKS-S 33M-02	<b>BCC00UU</b> BKS-S 33M-05	
Connection	M16x0.75-Female, angled, 8-pole	M16x0.75-Female, angled, 8-pole	
Power indicator	—	—	
Function indicator (Pin 2)	—	—	
Function indicator (Pin 3)	—	—	
Function indicator (Pin 4)	—	—	
Suppressor	—	—	
Interface	—	—	
Cable	PUR Shielded black, 2.00 m, Drag chain compatible	PUR Shielded black, 5.00 m, Drag chain compatible	
Number of conductors	8	8	
Cable temperature, fixed routing	-50...80 °C	-50...80 °C	
Cable temperature, flexible routing	-25...80 °C	-25...80 °C	
Operating voltage $U_b$	60 VDC / 60 VAC	60 VDC / 60 VAC	
Rated current (40 °C)	5.0 A	5.0 A	
Protection degree	IP67	IP67	
Approval/Conformity	CE, EAC	CE, EAC	
Productview	Page 168	Page 168	





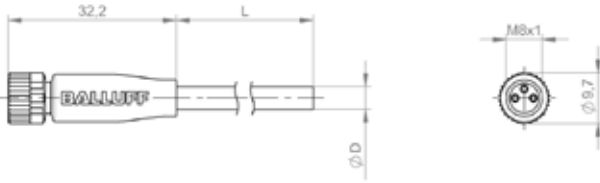
	<b>BCC00UW</b> BKS-S 33M-10	<b>BCC00YE</b> BKS-S115-PU-02	<b>BCC00YF</b> BKS-S115-PU-05	<b>BCC00YH</b> BKS-S115-PU-10
	M16x0.75-Female, angled, 8-pole	M12x1-Female, straight, 8-pole, A-coded	M12x1-Female, straight, 8-pole, A-coded	M12x1-Female, straight, 8-pole, A-coded
	—	—	—	—
	—	—	—	—
	—	—	—	—
	—	—	—	—
	—	—	—	—
	PUR Shielded black, 10.00 m, Drag chain compatible	PUR Shielded black, 2.00 m, Drag chain compatible	PUR Shielded black, 5.00 m, Drag chain compatible	PUR Shielded black, 10.00 m, Drag chain compatible
	8	8	8	8
	-50...80 °C	-50...80 °C	-50...80 °C	-50...80 °C
	-25...80 °C	-25...80 °C	-25...80 °C	-25...80 °C
	60 VDC / 60 VAC	36 VDC / 30 VAC	36 VDC / 30 VAC	36 VDC / 30 VAC
	5.0 A	2.0 A	2.0 A	2.0 A
	IP67	IP68	IP68	IP68
	CE, EAC	CE, EAC	CE, EAC	CE, EAC
	Page 168	Page 168	Page 168	Page 168



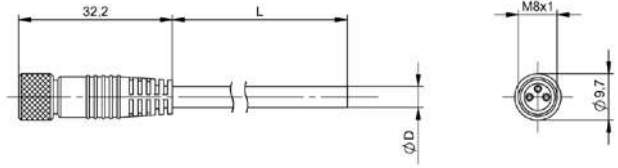
	<b>BCCOF4J</b> BCC HB75-0000-PA-121-VX85B5-020	<b>BCCOF4K</b> BCC HB75-0000-PA-121-VX85B5-050	
Connection	Push-Pull Power-Female, straight, 5-pole	Push-Pull Power-Female, straight, 5-pole	
Power indicator	—	—	
Function indicator (Pin 2)	—	—	
Function indicator (Pin 3)	—	—	
Function indicator (Pin 4)	—	—	
Suppressor	—	—	
Interface	—	—	
Cable	PVC gray, 2.00 m	PVC gray, 5.00 m	
Number of conductors	5	5	
Cable temperature, fixed routing	-40...70 °C	-40...70 °C	
Cable temperature, flexible routing	-5...70 °C	-5...70 °C	
Operating voltage $U_b$	24 VDC	24 VDC	
Rated current (40 °C)	16.0 A	16.0 A	
Protection degree	IP67	IP67	
Approval/Conformity	CE, EAC	CE, EAC	
Productview	Page 168	Page 168	



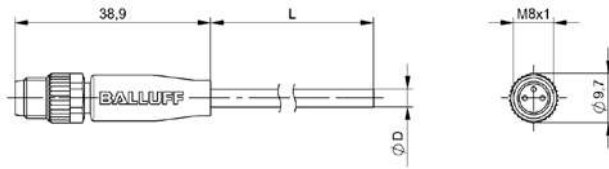
	<b>BCCOF4L</b> BCC HB75-0000-PA-121-VX85B5-100	<b>BCCOKL6</b> BCC Z032-0000-10-148-VS0CT4-050	<b>BCCOKL7</b> BCC Z032-0000-10-148-VS0CT4-100	<b>BCCOKL8</b> BCC Z032-0000-10-148-VS0CT4-200
	Push-Pull Power-Female, straight, 5-pole	Special connector-Female, straight, 12-pole	Special connector-Female, straight, 12-pole	Special connector-Female, straight, 12-pole
	—	—	—	—
	—	—	—	—
	—	—	—	—
	—	—	—	—
	—	—	—	—
	PVC gray, 10.00 m	PVC Shielded black, 5.00 m	PVC Shielded black, 10.00 m	PVC Shielded black, 20.00 m
	5	12	12	12
	-40...70 °C	-30...80 °C	-30...80 °C	-30...80 °C
	-5...70 °C	-15...80 °C	-15...80 °C	-15...80 °C
	24 VDC	140 VDC / 100 VAC	140 VDC / 100 VAC	140 VDC / 100 VAC
	16.0 A	2.0 A	2.0 A	2.0 A
	IP67	IP50	IP50	IP50
	CE, EAC	EAC, CE	EAC, CE	EAC, CE
	Page 168	Page 168	Page 168	Page 168



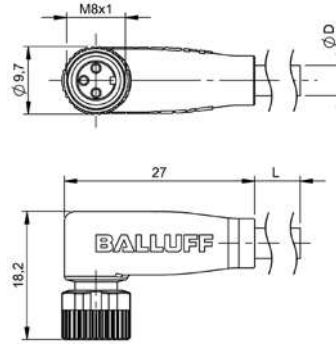
BCC M313-0000-10-001-...  
BCC M313-0000-10-004-...



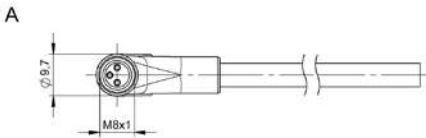
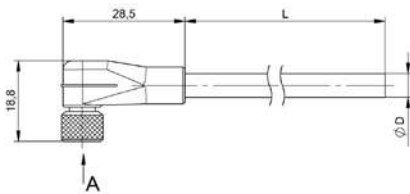
BCC M313-0000-10-036-...



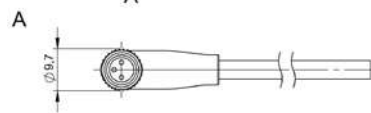
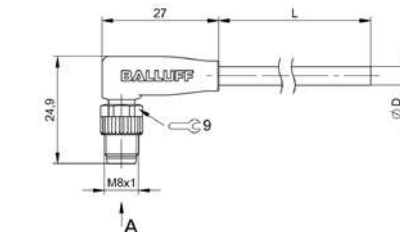
BCC M313-0000-20-001-...



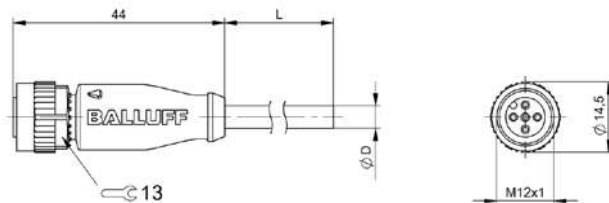
BCC M323-0000-10-001-...  
BCC M323-0000-10-004-...  
BCC M323-0000-10-006-...



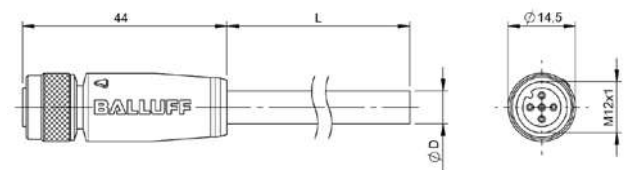
BCC M323-0000-10-036-...



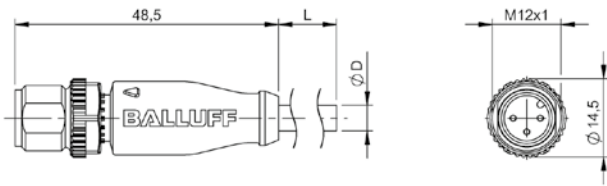
BCC M323-0000-20-001-...



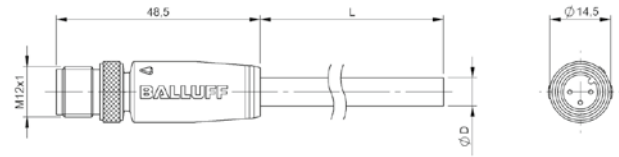
BCC M415-0000-1A-001-...  
BCC M415-0000-1A-004-...  
BCC M415-0000-1A-002-...  
BCC M415-0000-1A-005-...



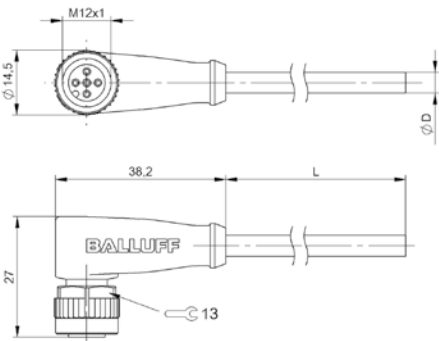
BCC M415-0000-1A-036-...  
BCC M415-0000-1A-037-...



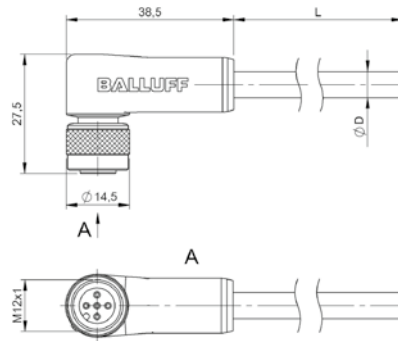
BCC M413-0000-2A-001-...  
BCC M413-0000-2A-002-...



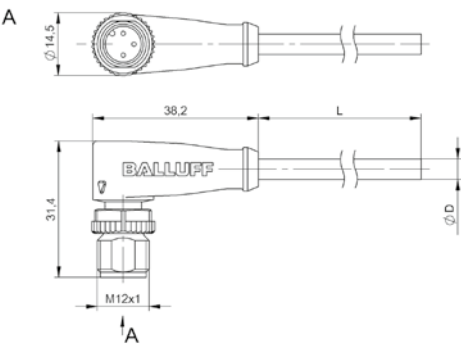
BCC M413-0000-2A-036-...  
BCC M413-0000-2A-037-...



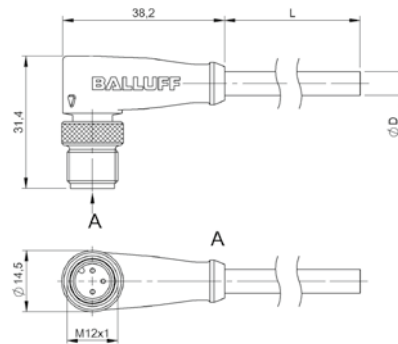
BCC M425-0000-1A-001-...  
BCC M425-0000-1A-004-...  
BCC M425-0000-1A-006-...  
BCC M425-0000-1A-002-...  
BCC M425-0000-1A-005-...



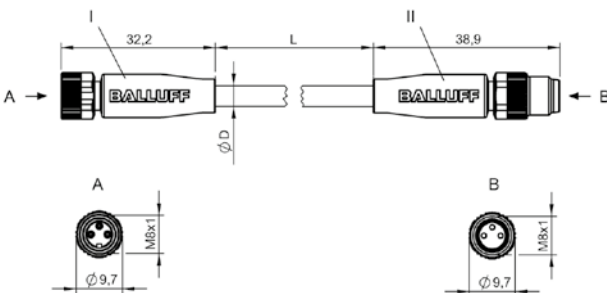
BCC M425-0000-1A-036-...  
BCC M425-0000-1A-037-...



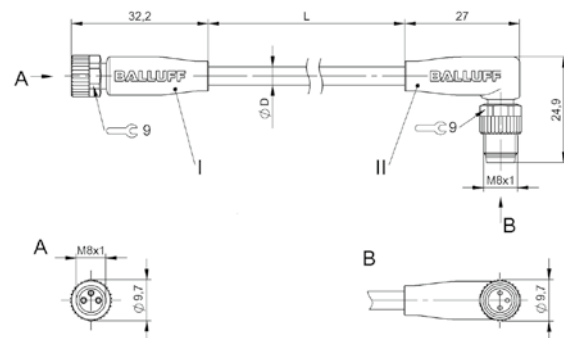
BCC M423-0000-2A-001-...



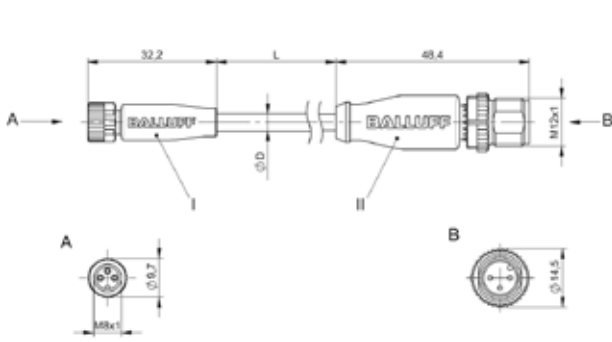
BCC M423-0000-2A-036-...



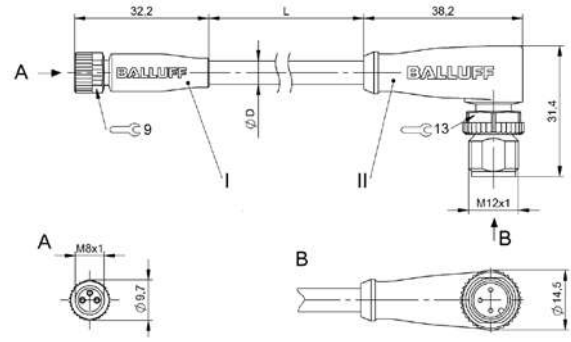
BCC M313-M313-30-300-...



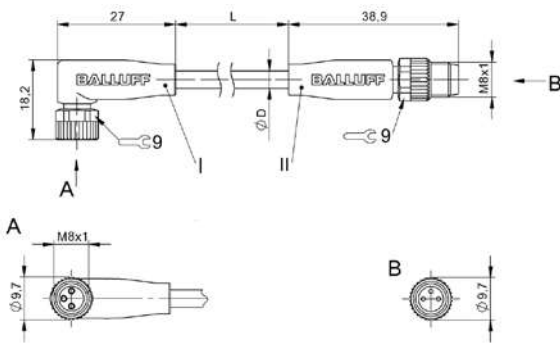
BCC M313-M323-30-300-...



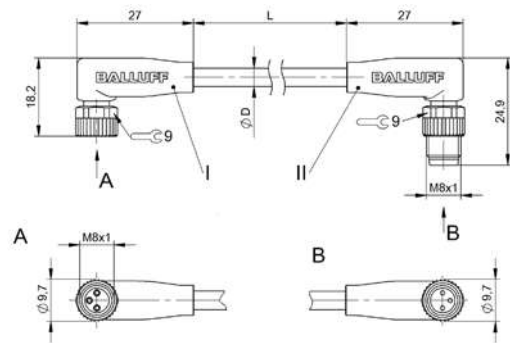
BCC M313-M413-3E-300...



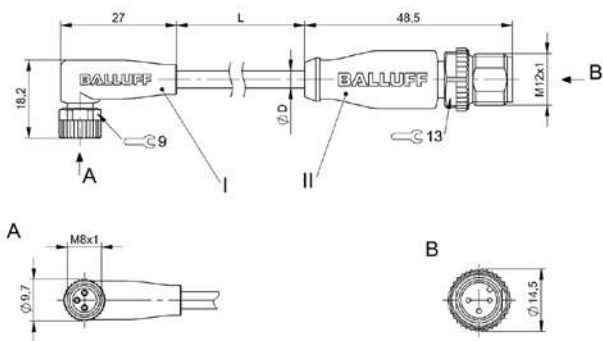
BCC M313-M423-3E-300...



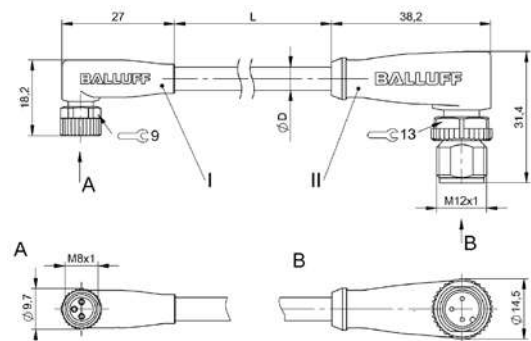
BCC M323-M313-30-300...  
BCC M323-M313-30-602...



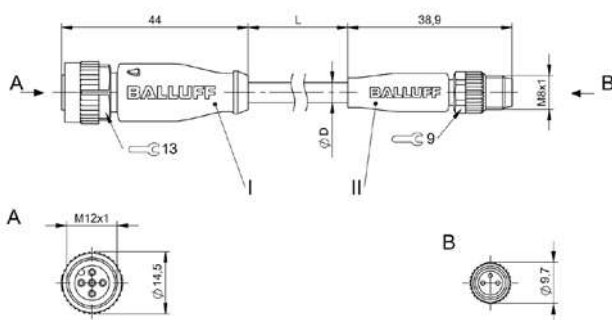
BCC M323-M323-30-300...



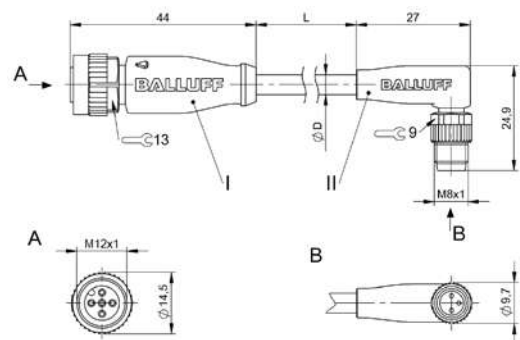
BCC M323-M413-3E-300...  
BCC M323-M413-3E-602...



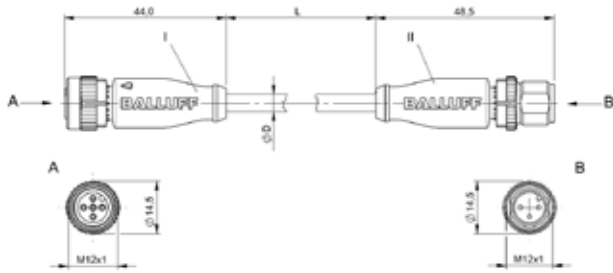
BCC M323-M423-3E-300...



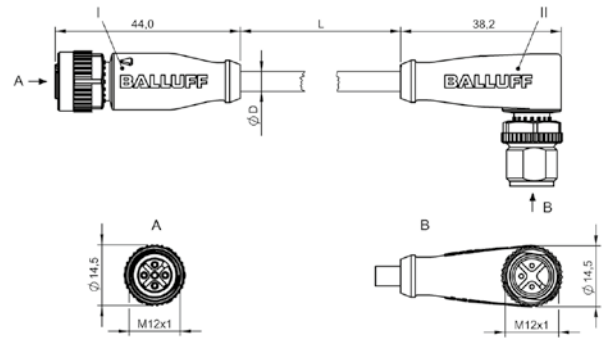
BCC M415-M313-3F-300...



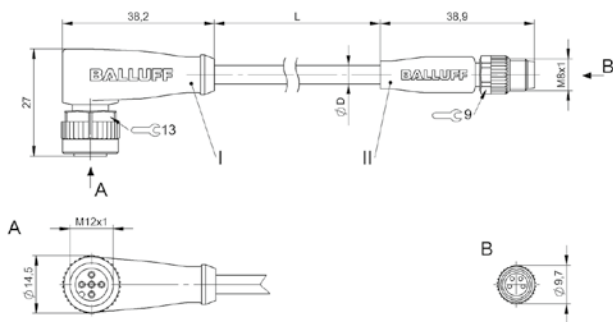
BCC M415-M323-3F-300...



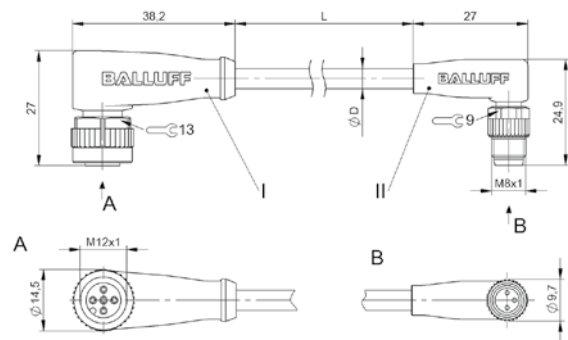
BCC M415-M413-3A-300-...



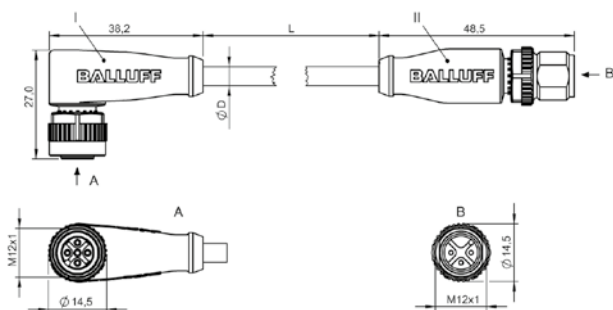
BCC M415-M423-3A-300-...



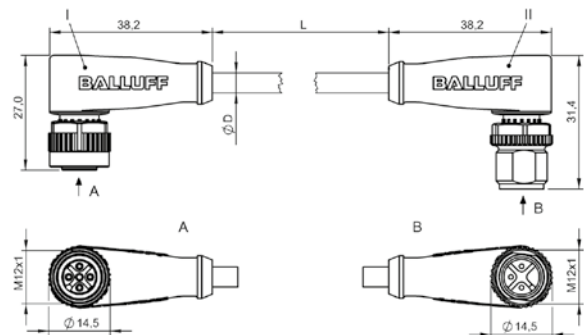
BCC M425-M313-3F-300-...  
BCC M425-M313-3F-602-...



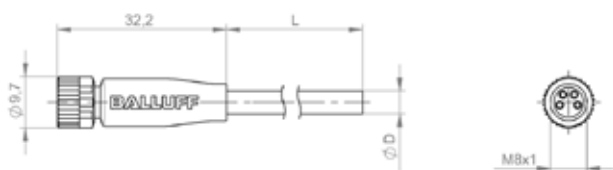
BCC M425-M323-3F-300-...  
BCC M425-M323-3F-602-...



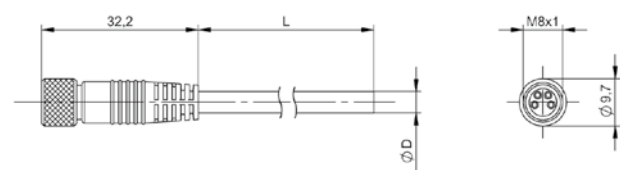
BCC M425-M413-3A-300-...  
BCC M425-M413-3A-602-...



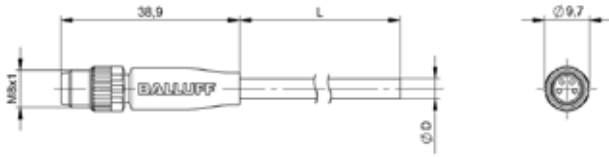
BCC M425-M423-3A-300-...



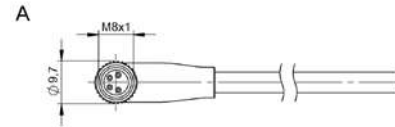
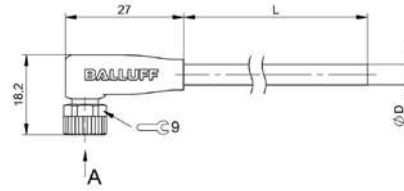
BCC M314-0000-10-003-...



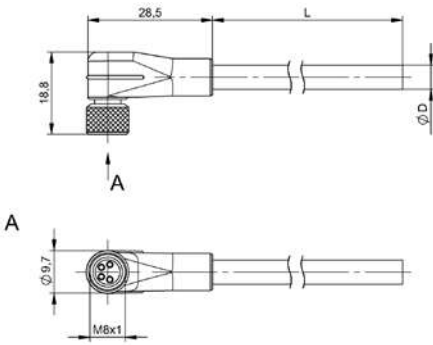
BCC M314-0000-10-014-...



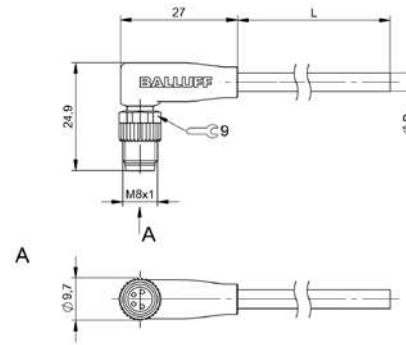
BCC M314-0000-20-003-...



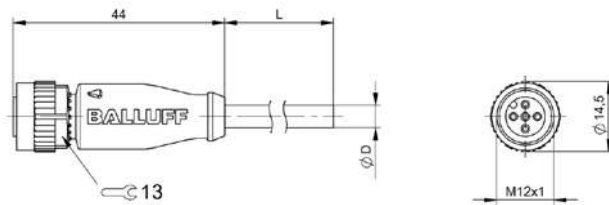
BCC M324-0000-10-003-...  
BCC M324-0000-10-008-...



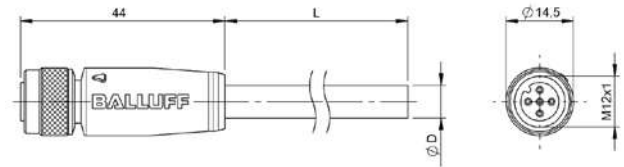
BCC M324-0000-10-014-...



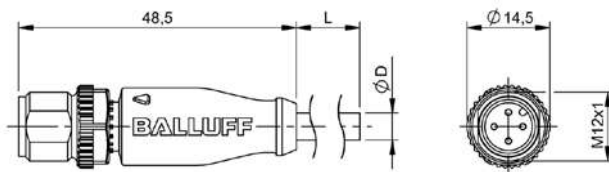
BCC M324-0000-20-003-...



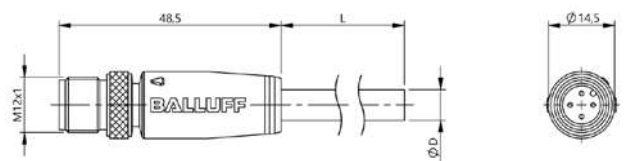
BCC M415-0000-1A-003-...  
BCC M415-0000-1A-008-...  
BCC M415-0000-1A-010-...



BCC M415-0000-1A-014-...

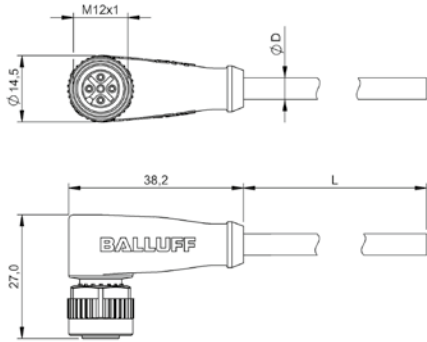


BCC M414-0000-2A-003-...

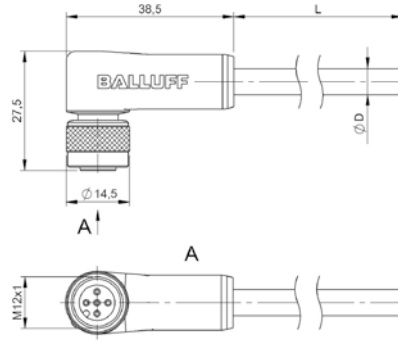


BCC M414-0000-2A-014-...

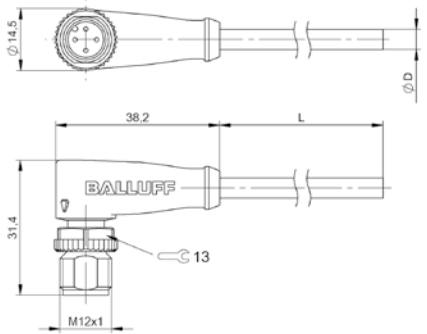




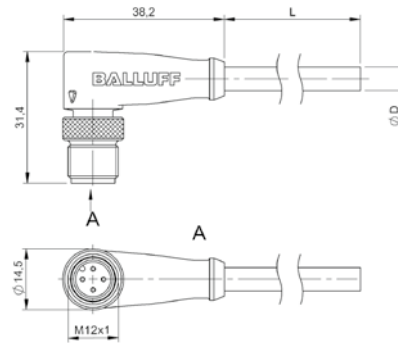
BCC M425-0000-1A-003-...  
 BCC M425-0000-1A-008-...  
 BCC M425-0000-1A-010-...



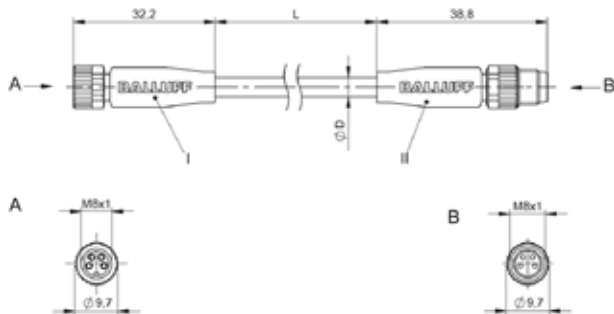
BCC M425-0000-1A-014-...



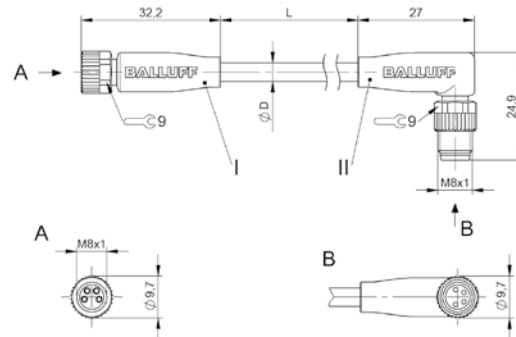
BCC M424-0000-2A-003-...  
 BCC M424-0000-2A-008-...



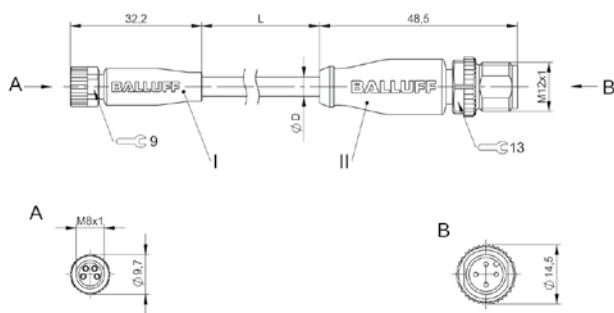
BCC M424-0000-2A-014-...



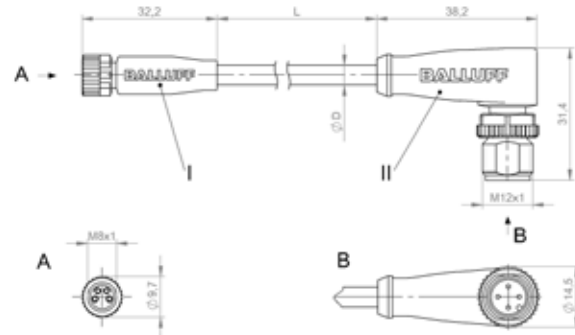
BCC M314-M314-30-304-...



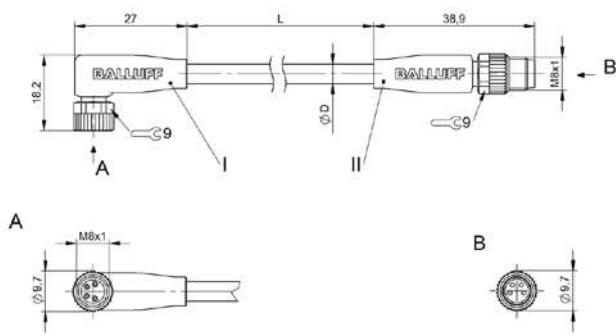
BCC M314-M324-30-304-...



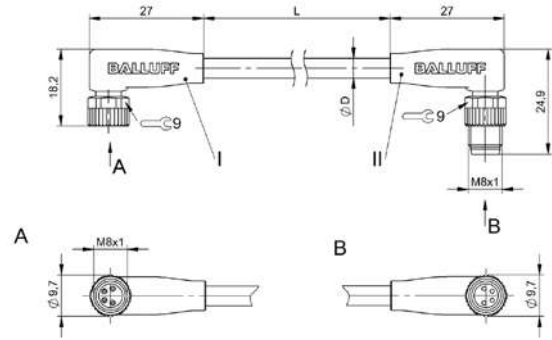
BCC M314-M414-3E-304-...



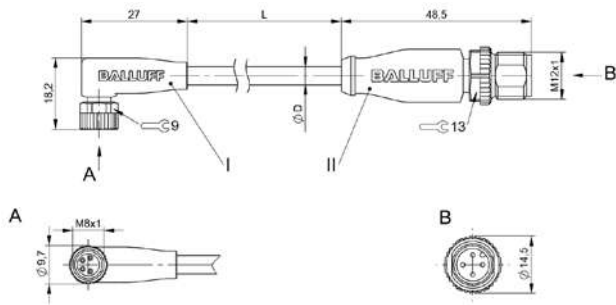
BCC M314-M424-3E-304-...



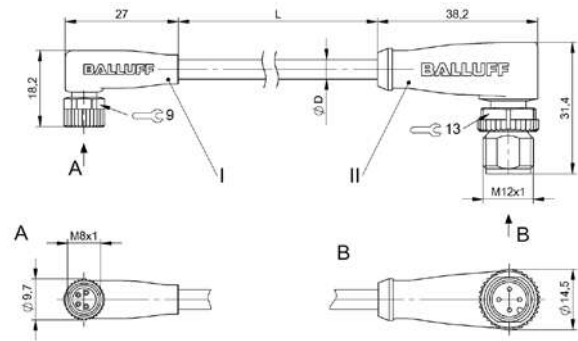
BCC M324-M314-30-304...



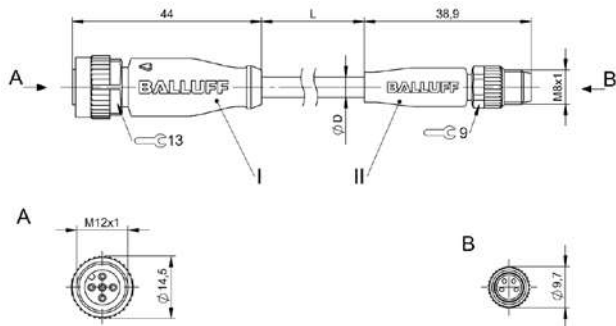
BCC M324-M324-30-304...



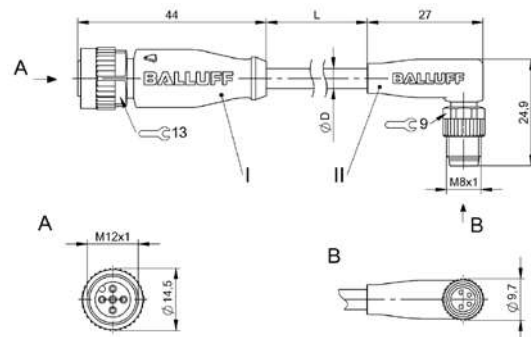
BCC M324-M414-3E-304...



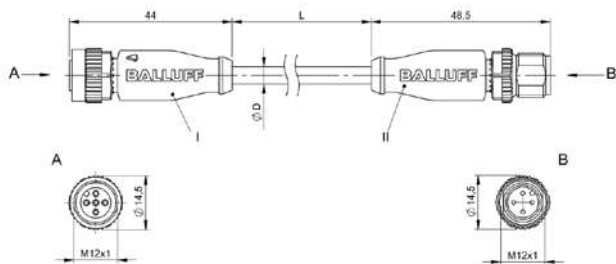
BCC M324-M424-3E-304...



BCC M415-M314-3F-304...

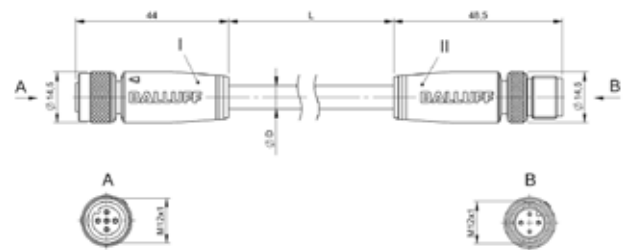


BCC M415-M324-3F-304...

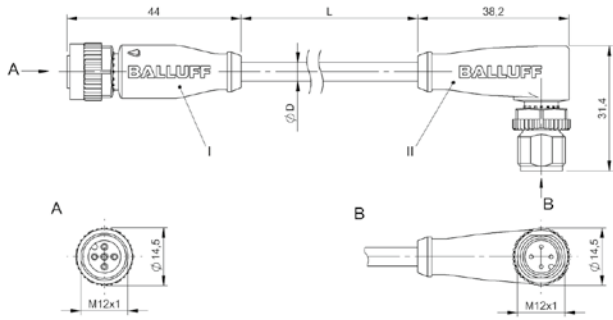


BCC M415-M414-3A-304...

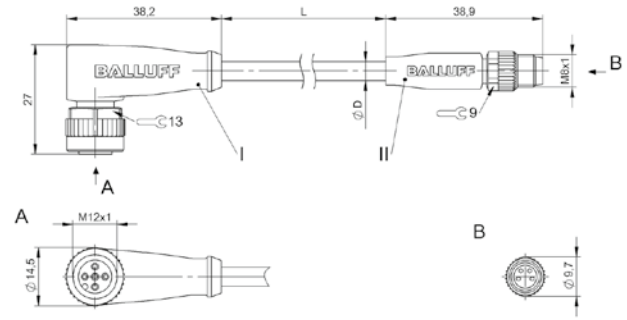
BCC M415-M414-3A-606...



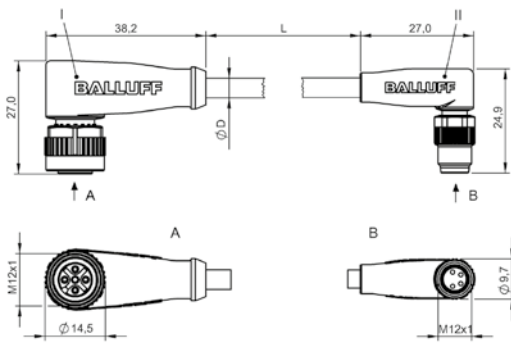
BCC M415-M414-3A-305-PS0434...



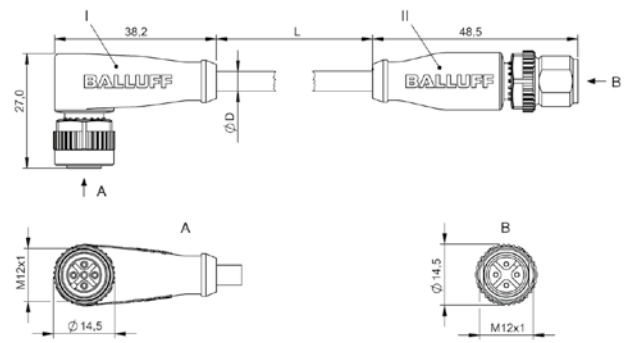
BCC M415-M424-3A-304...



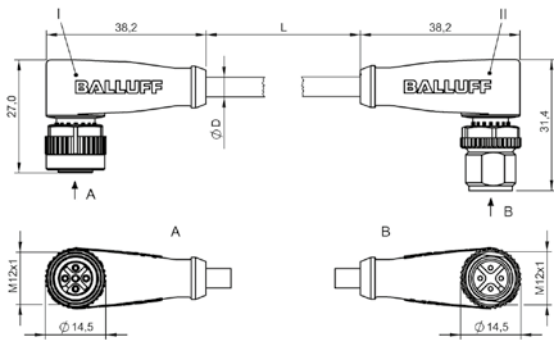
BCC M425-M314-3F-304...



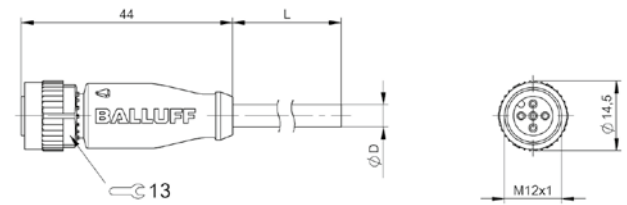
BCC M425-M324-3F-304...



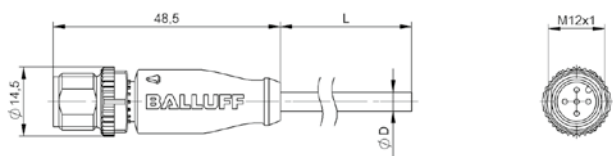
BCC M425-M414-3A-304...  
BCC M425-M414-3A-606...



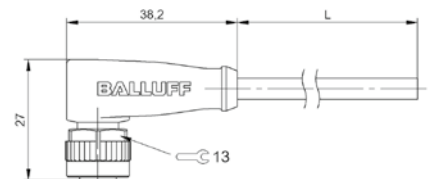
BCC M425-M424-3A-304...



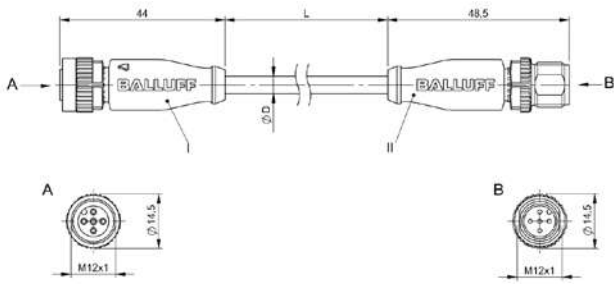
BCC M415-0000-1A-017-PX0534...  
BCC M415-0000-1A-034-PX0534...



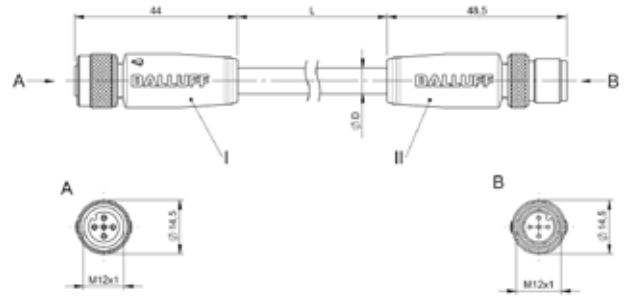
BCC M415-0000-2A-017-PX0534...  
BCC M415-0000-2A-034-PX0534...



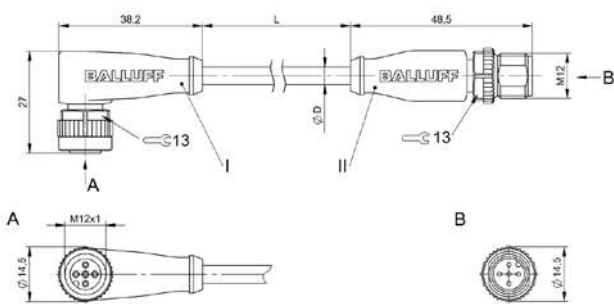
BCC M425-0000-1A-017-PX0534...  
BCC M425-0000-1A-034-PX0534...  
BCC M425-0000-1A-039-PX0534...  
BCC M425-0000-1A-040-PX0534...



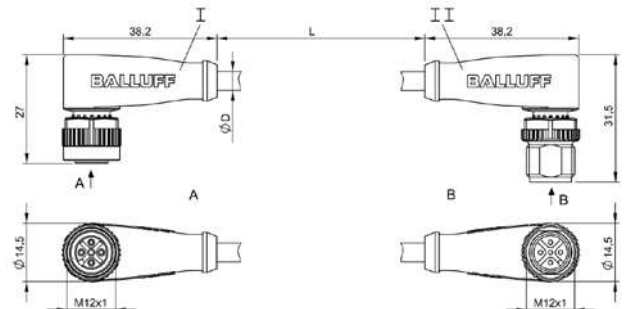
BCC M415-M415-3A-312-PX0534-...  
BCC M415-M415-3A-313-PX0534-...



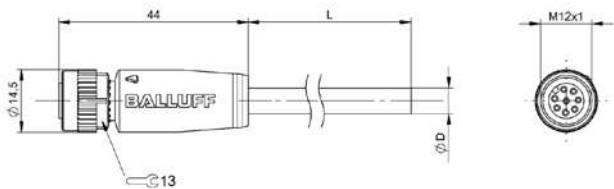
BCC M415-M415-3A-315-PS0534-...



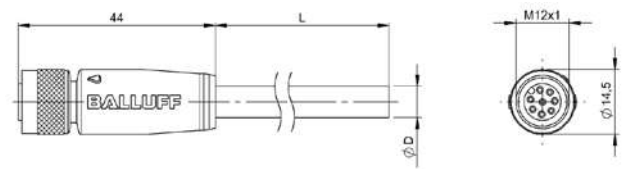
BCC M425-M415-3A-312-PX0534-...  
BCC M425-M415-3A-313-PX0534-...  
BCC M425-M415-3A-660-PX0534-...  
BCC M425-M415-3A-661-PX0534-...



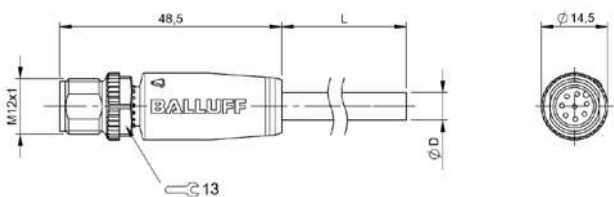
BCC M425-M425-3A-660-PX0534-...  
BCC M425-M425-3A-661-PX0534-...



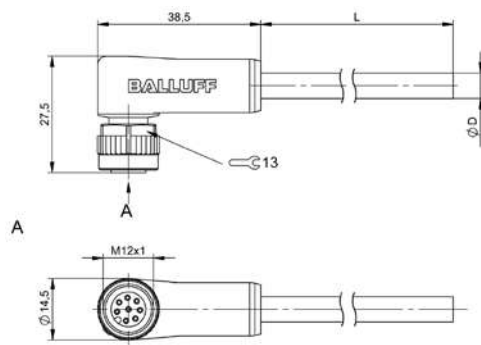
BCC M418-0000-1A-044-PX0825-...  
BCC M418-0000-1A-069-PX0825-...



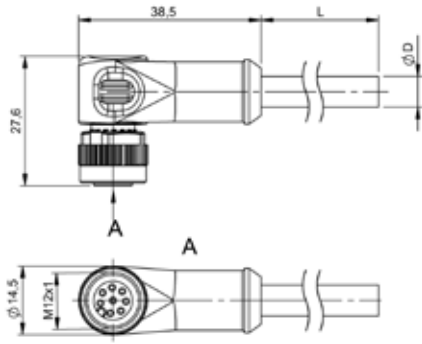
BCC M418-0000-1A-046-PS0825-...



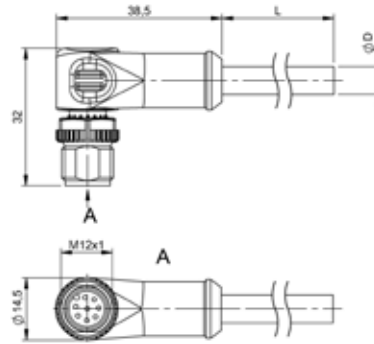
BCC M418-0000-2A-044-PX0825-...



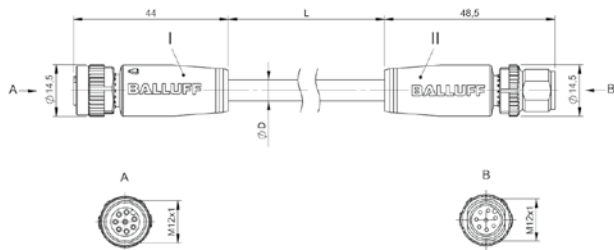
BCC M428-0000-1A-044-PX0825-...  
BCC M428-0000-1A-069-PX0825-...



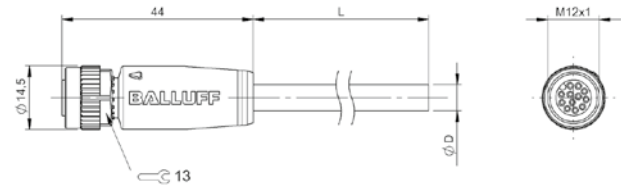
BCC M428-0000-1A-046-PS0825-...



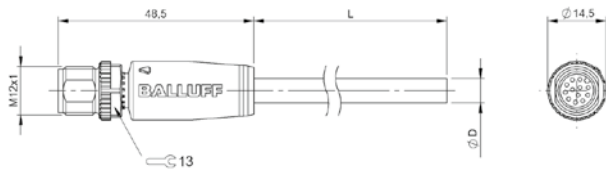
BCC M428-0000-2A-044-PX0825-...



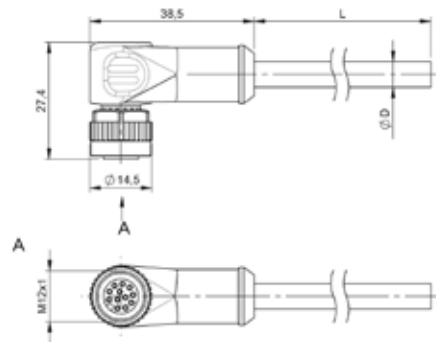
BCC M418-M418-3A-342-PX0825-...



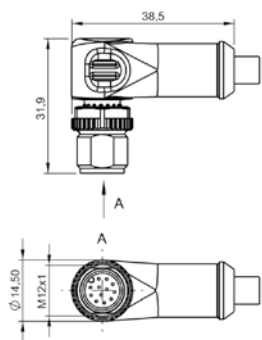
BCC M41C-0000-1A-049-PX0C25-...



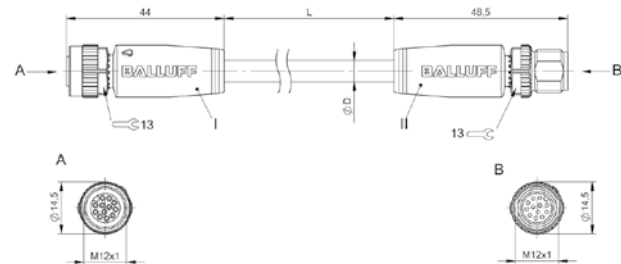
BCC M41C-0000-2A-049-PX0C25-...



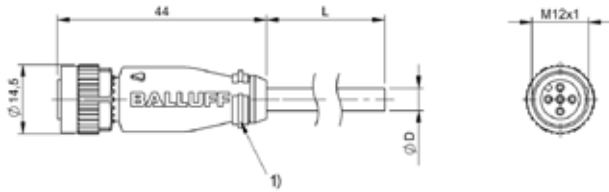
BCC M42C-0000-1A-049-PX0C25-...



BCC M42C-0000-2A-049-PX0C25-...

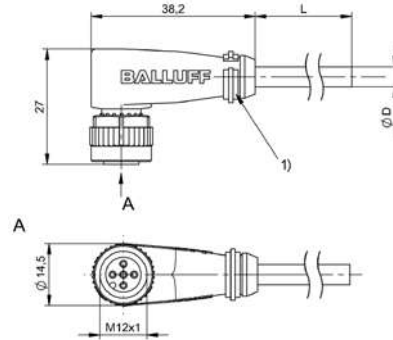


BCC M41C-M41C-3A-325-PX0C25-...



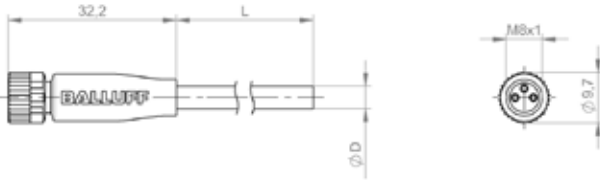
1) White identification clip

BCC M415-0000-1A-001-PH0334-...  
BCC M415-0000-1A-003-PH0434-...

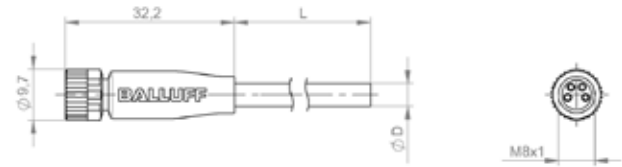


1) White identification clip

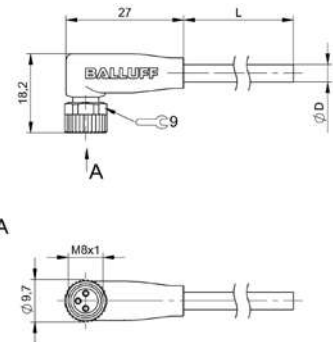
BCC M425-0000-1A-001-PH0334-...  
BCC M425-0000-1A-003-PH0434-...



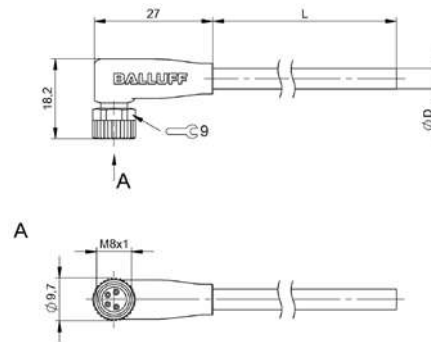
BCC M313-0000-10-001-PW3334-...



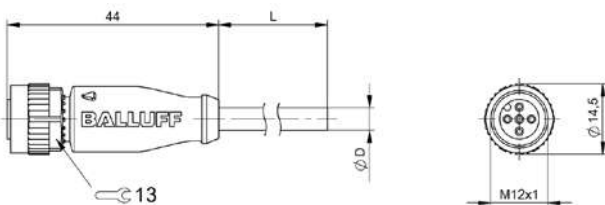
BCC M314-0000-10-003-PW3434-...



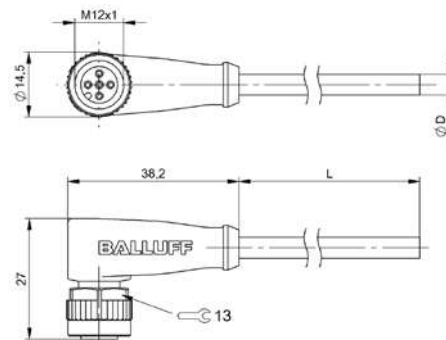
BCC M323-0000-10-001-PW3334-...



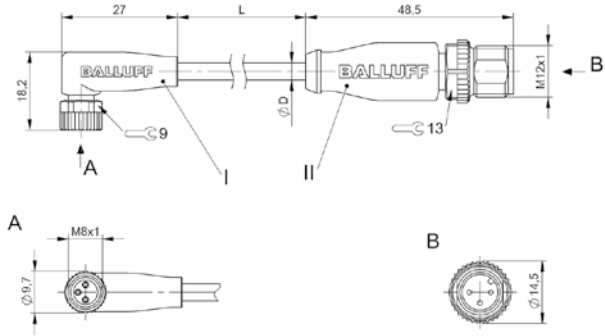
BCC M324-0000-10-003-PW3434-...



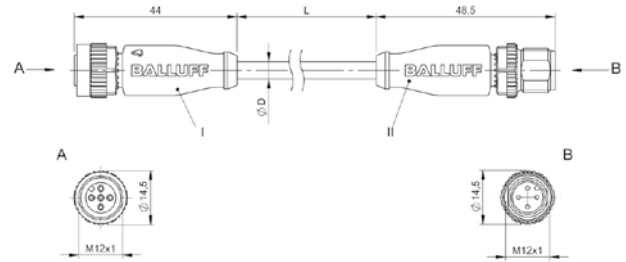
BCC M415-0000-1A-003-PW3434-...



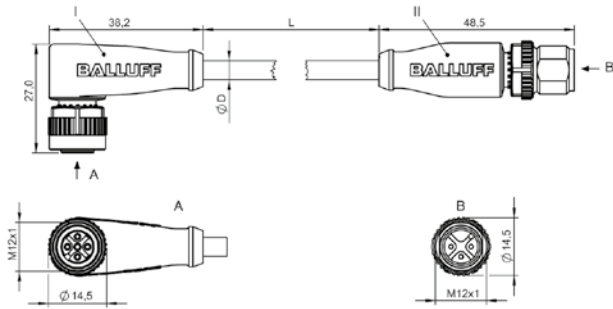
BCC M425-0000-1A-001-PW3334-...  
BCC M425-0000-1A-004-PW3334-...  
BCC M425-0000-1A-003-PW3434-...  
BCC M425-0000-1A-099-PW3434-...  
BCC M425-0000-1A-100-PW3534-...



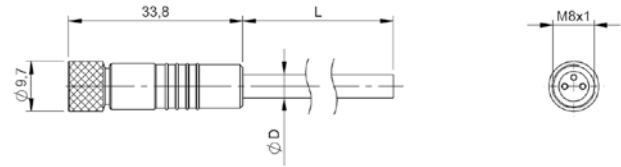
BCC M323-M413-3E-602-PW3334-...



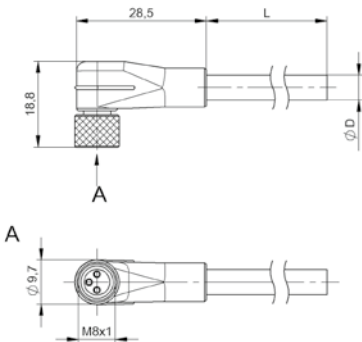
BCC M415-M414-3A-304-PW3434-...  
BCC M415-M415-3A-313-PW3534-...



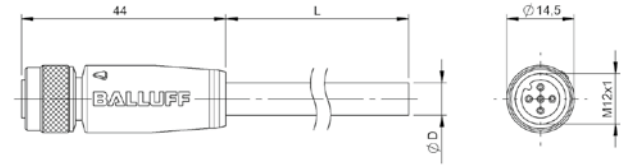
BCC M425-M413-3A-602-PW3334-...  
BCC M425-M414-3A-304-PW3434-...  
BCC M425-M414-3A-691-PW3434-...  
BCC M425-M415-3A-313-PW3534-...  
BCC M425-M415-3A-692-PW3534-...



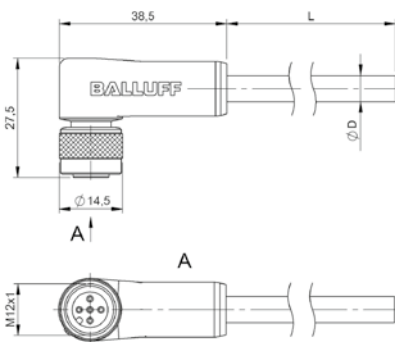
BCC W313-0000-10-001-BW8334-...  
BCC W314-0000-10-003-BW8434-...



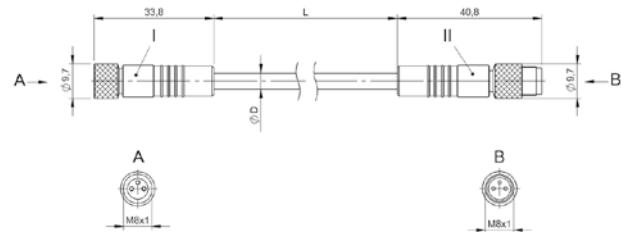
BCC W323-0000-10-001-BW8334-...  
BCC W324-0000-10-003-BW8434-...



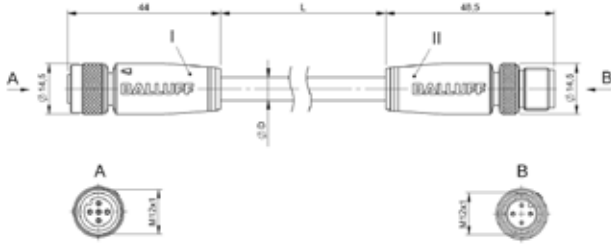
BCC W415-0000-1A-003-BW8434-...



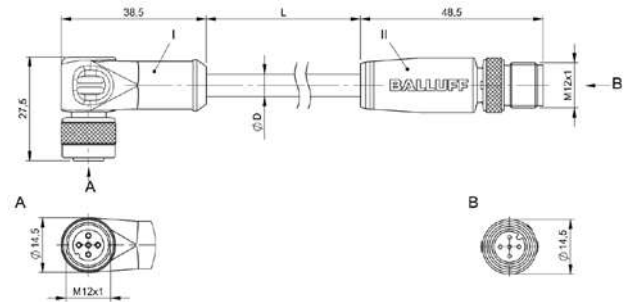
BCC W425-0000-1A-003-BW8434-...



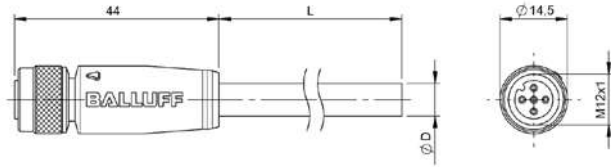
BCC W313-W313-30-300-BW8334-...



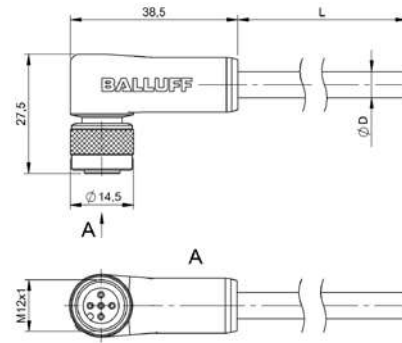
BCC W415-W414-3A-304-BW8434-...



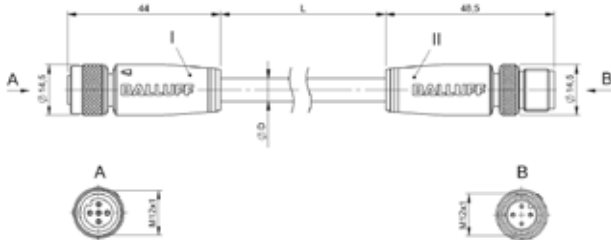
BCC W425-W414-3A-304-BW8434-...



BCC W415-0000-1A-003-SW0434-...

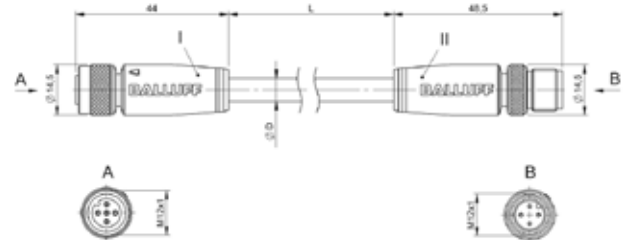


BCC W425-0000-1A-003-SW0434-...



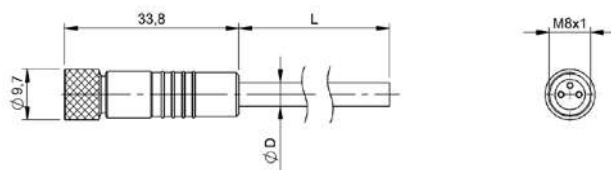
BCC W415-W414-3A-304-SW0434-...

BCC W415-W414-3A-650-SW0434-...

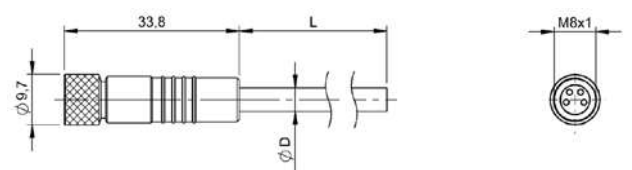


BCC W425-W414-3A-304-SW0434-...

BCC W425-W414-3A-650-SW0434-...

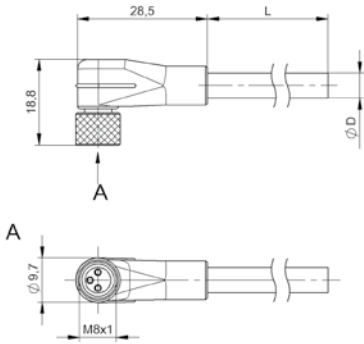


BCC W313-0000-10-001-TW0334-...

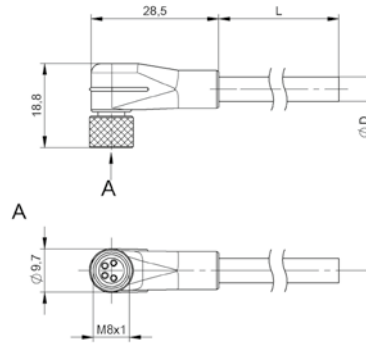


BCC W314-0000-10-003-TW0434-...

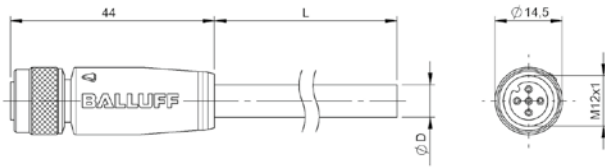




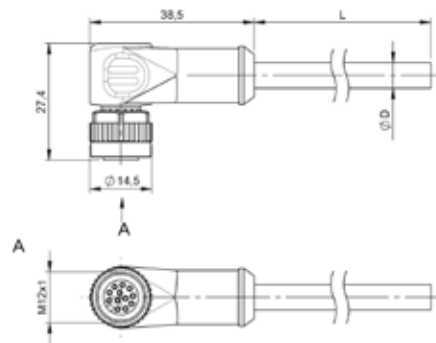
BCC W323-0000-10-001-TW0334-...



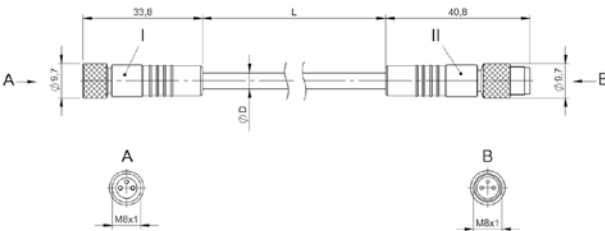
BCC W324-0000-10-003-TW0434-...



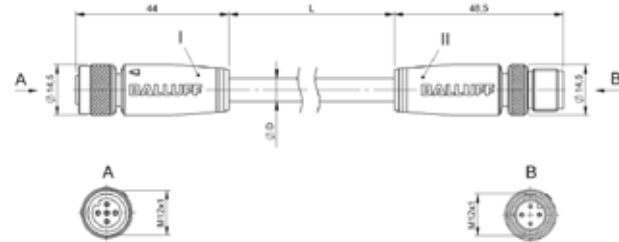
BCC W415-0000-1A-003-TW0434-...



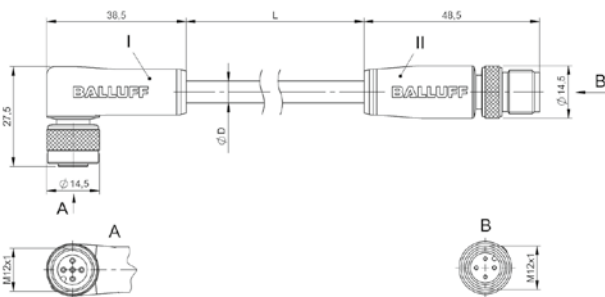
BCC W425-0000-1A-003-TW0434-...



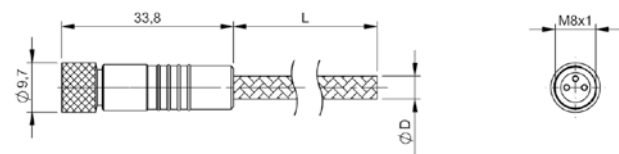
BCC W313-W313-30-300-TW0334-...



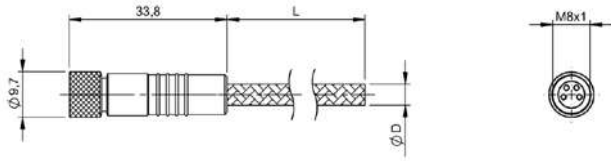
BCC W415-W414-3A-304-TW0434-...  
BCC W415-W414-3A-650-TW0434-...



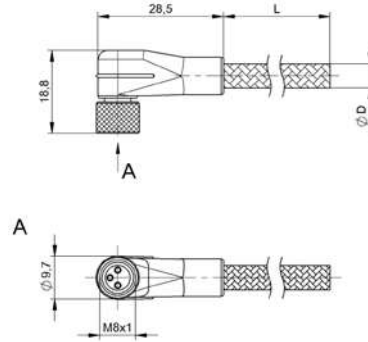
BCC W425-W414-3A-304-TW0434-...  
BCC W425-W414-3A-650-TW0434-...



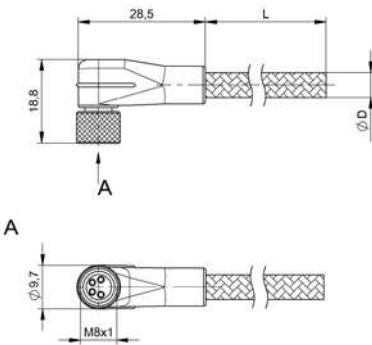
BCC W313-0000-10-001-MW8334-...



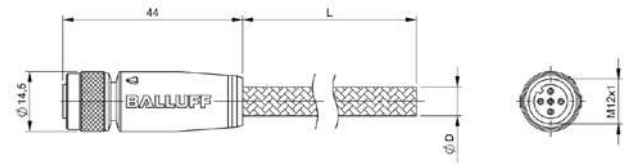
BCC W314-0000-10-003-MW8434-...



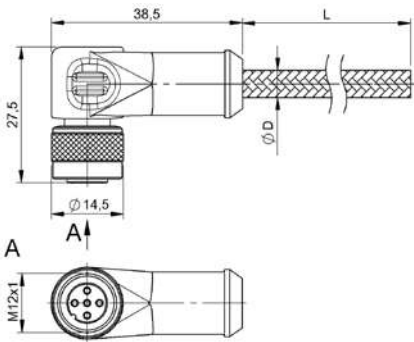
BCC W323-0000-10-001-MW8334-...



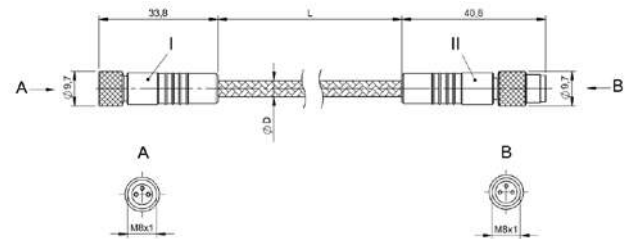
BCC W324-0000-10-003-MW8434-...



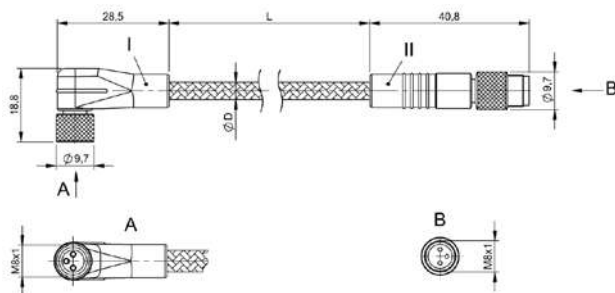
BCC W415-0000-1A-003-MW8434-...



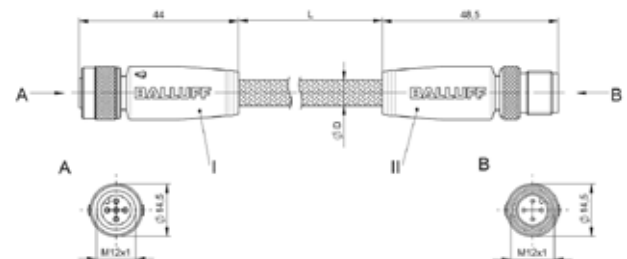
BCC W425-0000-1A-003-MW8434-...



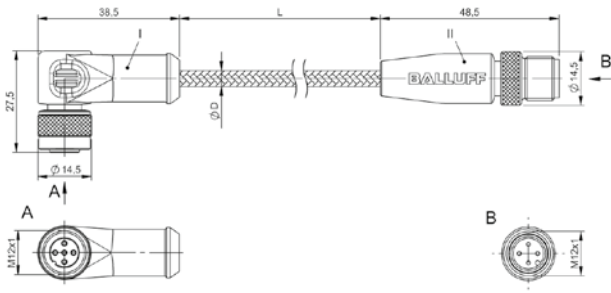
BCC W313-W313-30-300-MW8334-...



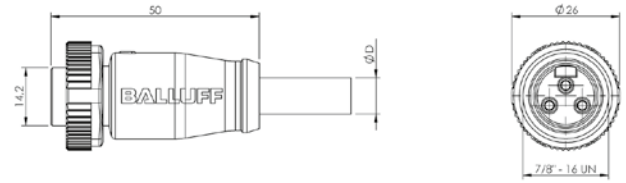
BCC W323-W313-30-300-MW8334-...



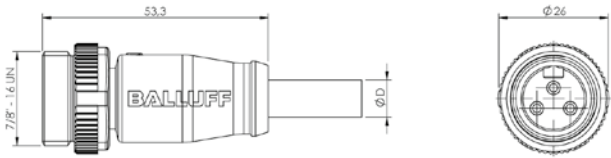
BCC W415-W414-3A-304-MW8434-...



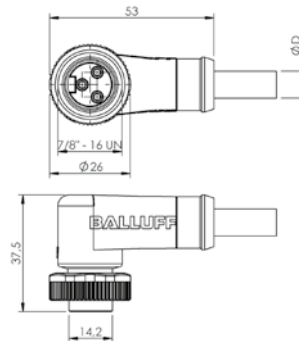
BCC W425-W414-3A-304-MW8434-...



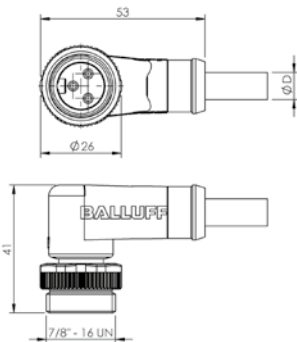
BCC A313-0000-10-097-PX03A5-...  
BCC A313-0000-10-071-VX43W6-...



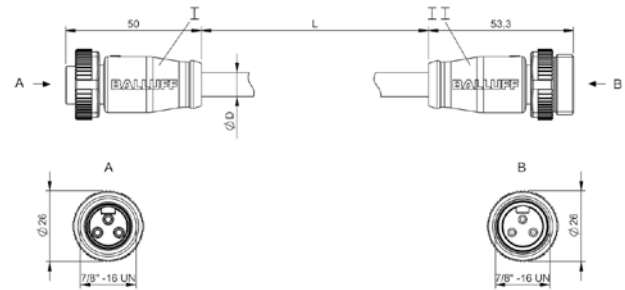
BCC A313-0000-20-071-VX43W6-...



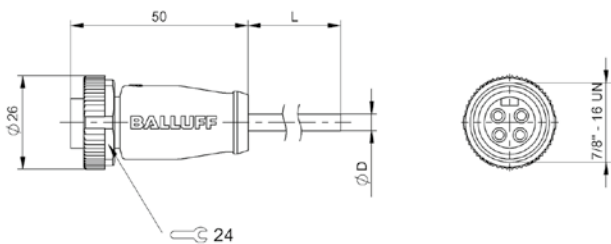
BCC A323-0000-10-097-PX03A5-...  
BCC A323-0000-10-071-VX43W6-...



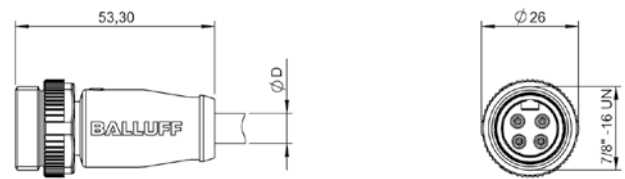
BCC A323-0000-20-071-VX43W6-...



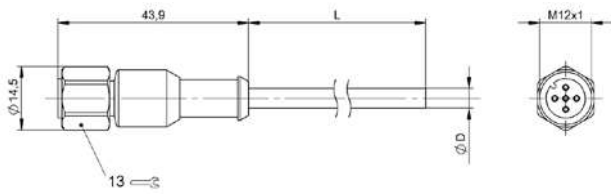
BCC A313-A313-30-365-PX03A5-...



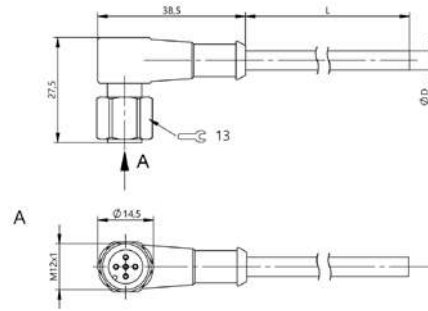
BCC A314-0000-10-003-...



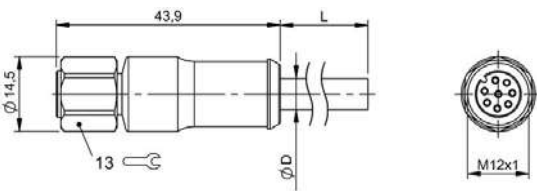
BCC A314-0000-20-003-...



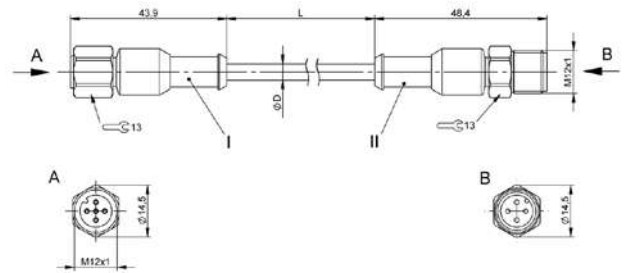
BCC S4B5-0000-1A-003-YX8434-...  
 BCC S4B5-0000-1A-017-YX8534-...  
 BCC S4B5-0000-1A-034-YX8534-...



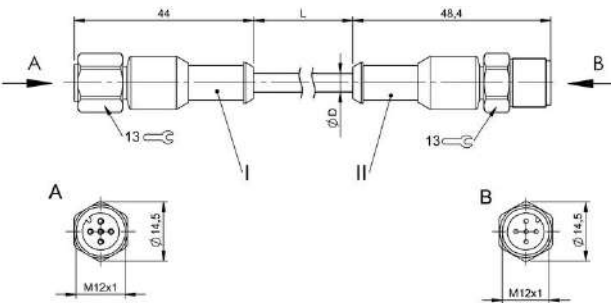
BCC S4C5-0000-1A-003-YX8434-...  
 BCC S4B5-0000-1A-017-YX8534-...



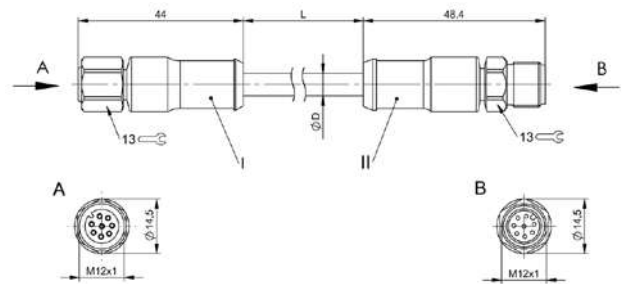
BCC S4B8-0000-1A-045-YX8825-...



BCC S4B5-S4B4-3A-304-YX8434-...



BCC S4B5-S4B5-3A-313-YX8534-...



BCC S4B8-S4B8-3A-321-YX8825-...

Accessories

**Connectivity**

Power Supply

Software and System Solutions

Industrial Networking

Safety

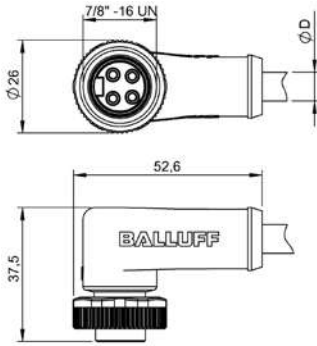
Human Machine Interfaces

Machine Vision and Optical Identification

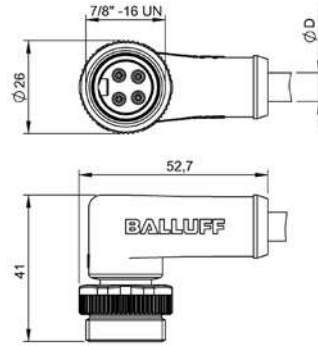
RFID

Sensors

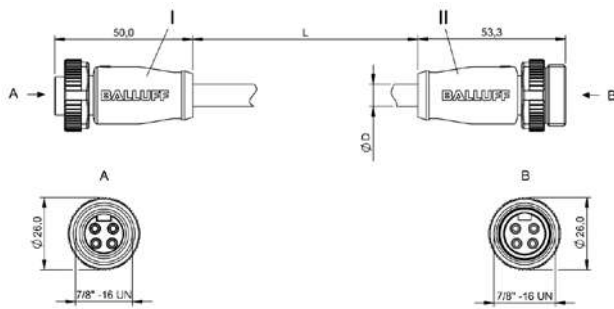
166 | Connectivity | Power Cable



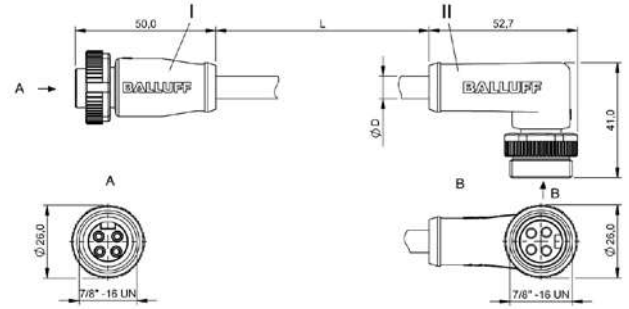
BCC A324-0000-10-003-...



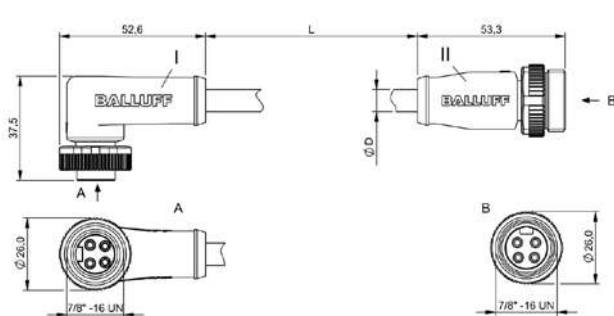
BCC A324-0000-20-003-...



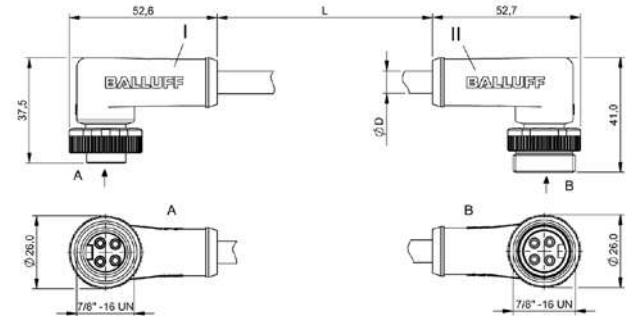
BCC A314-A314-30-304-...



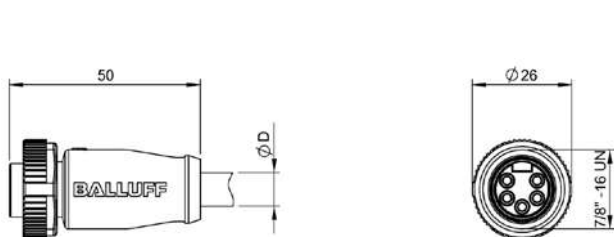
BCC A314-A324-30-304-...



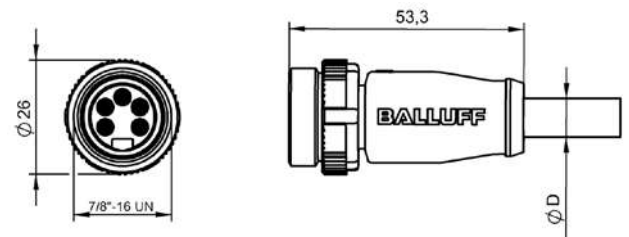
BCC A324-A314-30-304-...



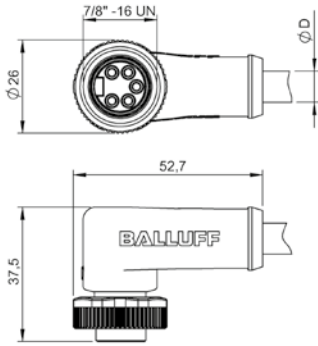
BCC A324-A324-30-304-...



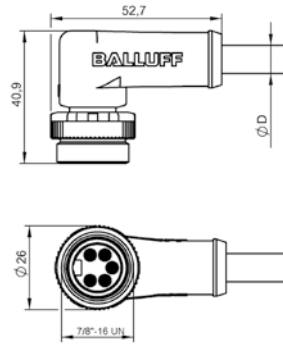
BCC A315-0000-10-063-...



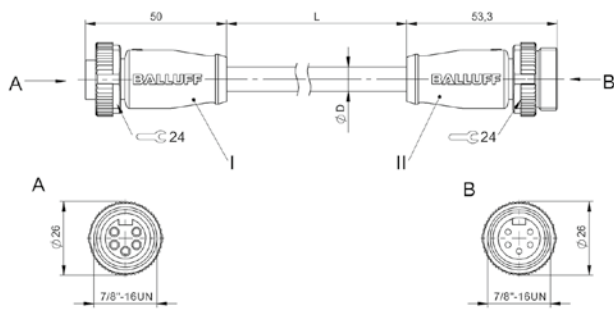
BCC A315-0000-20-063-...



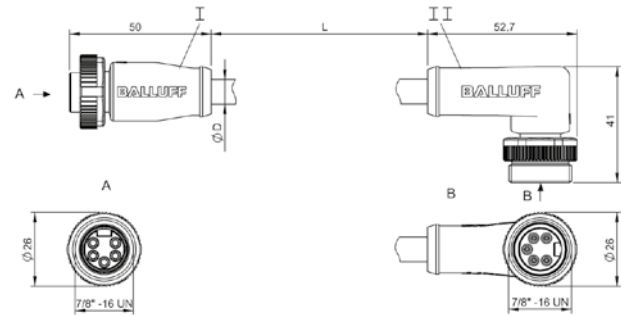
BCC A325-0000-10-063...



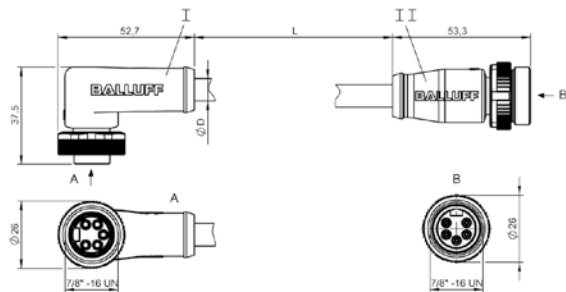
BCC A325-0000-20-063...



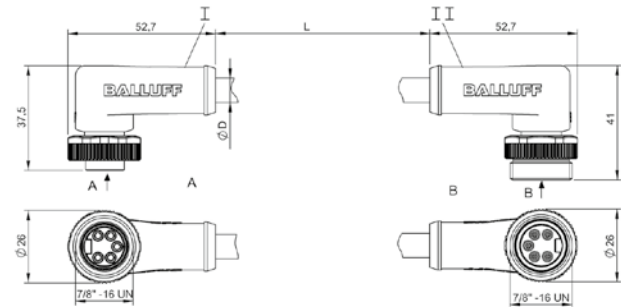
BCC A315-A315-30-335...



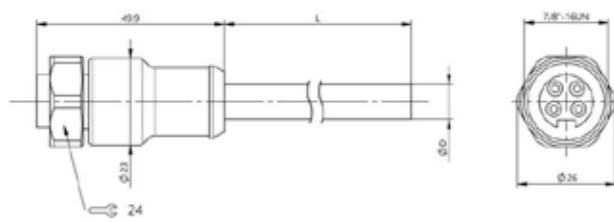
BCC A315-A325-30-335...



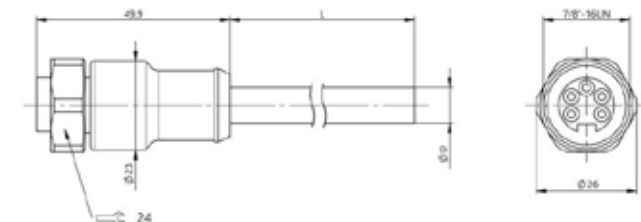
BCC A325-A315-30-335...



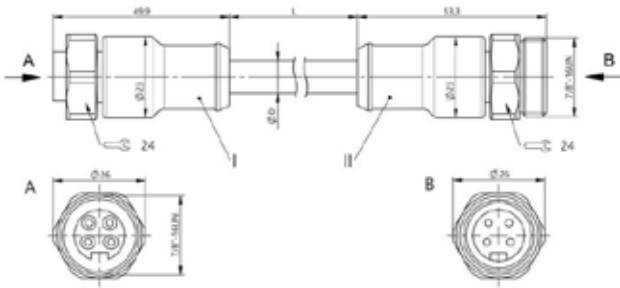
BCC A325-A325-30-335...



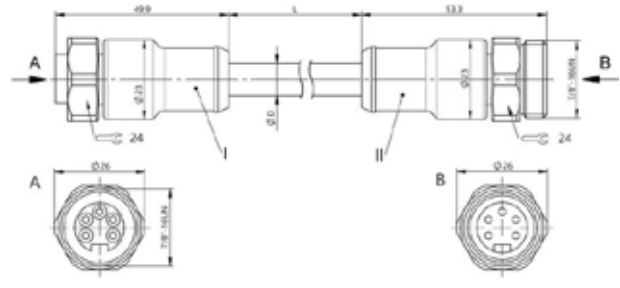
BCC C3B4-0000-10-003-YX84A5...



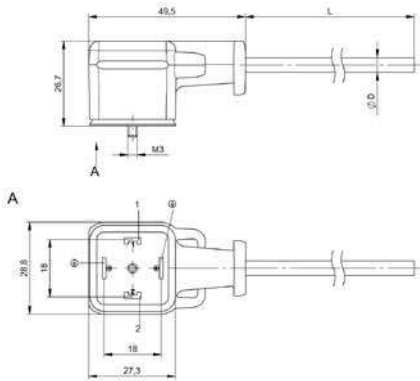
BCC C3B5-0000-10-063-YX85A5...



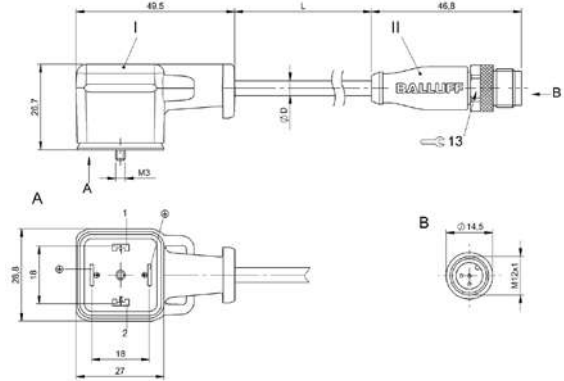
BCC C3B4-C3B4-30-304-YX84A5...



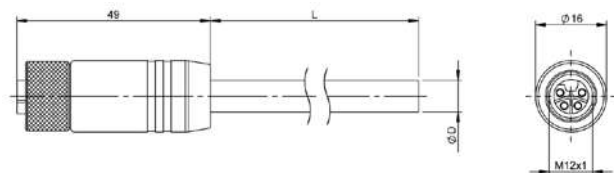
BCC C3B5-C3B5-30-335-YX85A5...



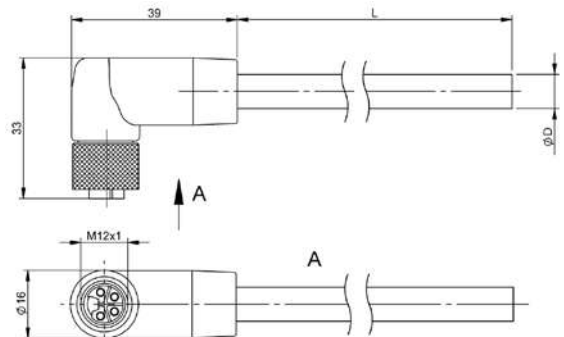
BCC VA04-0000-10-054...  
BCC VA04-0000-10-053...



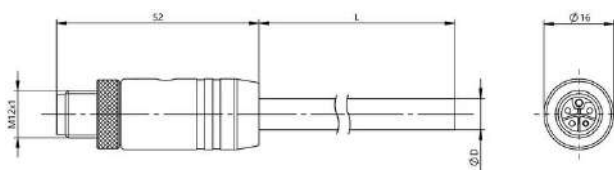
BCC VA04-M413-3E-664...



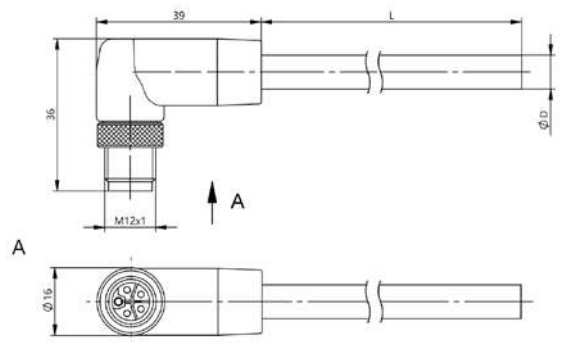
BCC M414-0000-1L-003-PX04A5...



BCC M424-0000-1L-003-PX04A5...

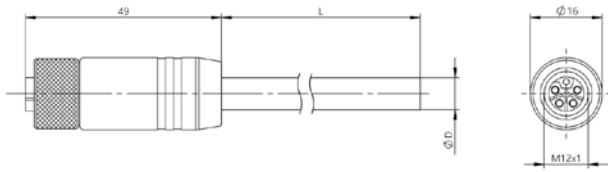


BCC M415-0000-2L-003-PX04A5...  
BCC M415-0000-2L-150-PX85A5...

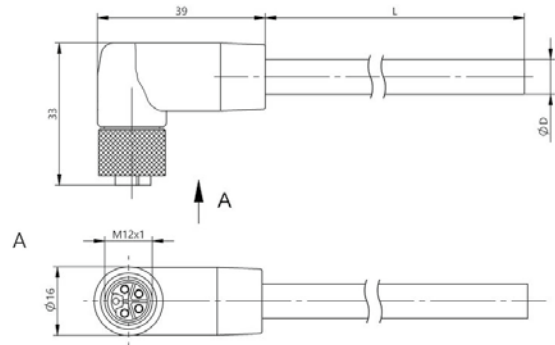


BCC M425-0000-2L-003-PX04A5...  
BCC M425-0000-2L-150-PX85A5...

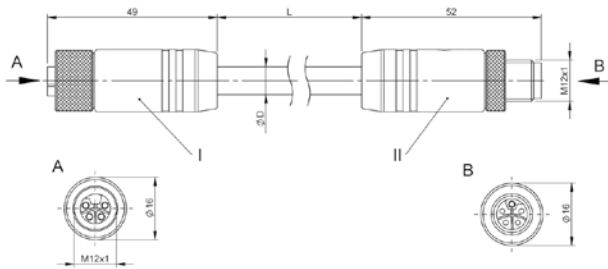




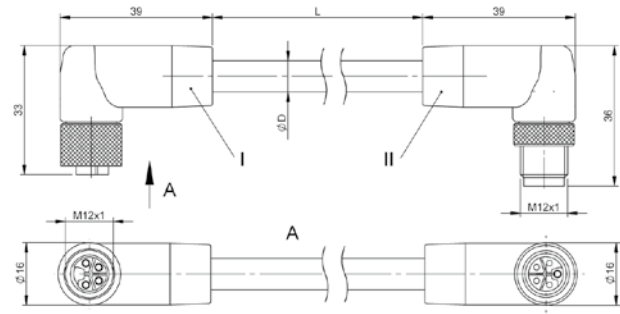
BCC M415-0000-1L-150-PX85A5...



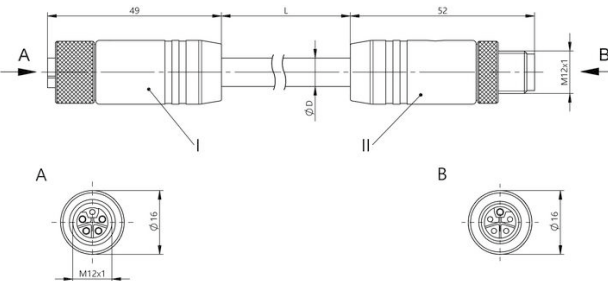
BCC M425-0000-1L-150-PX85A5...



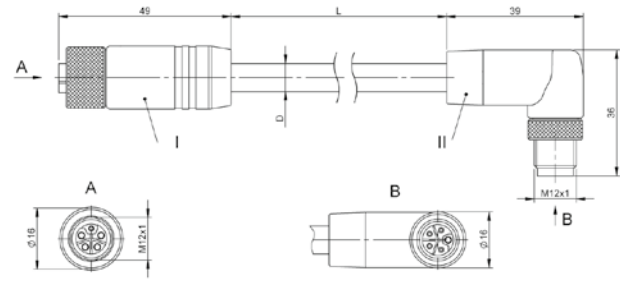
BCC M414-M415-3L-304-PX04A5...



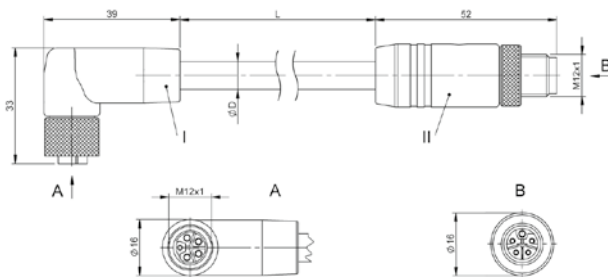
BCC M424-M425-3L-304-PX04A5...



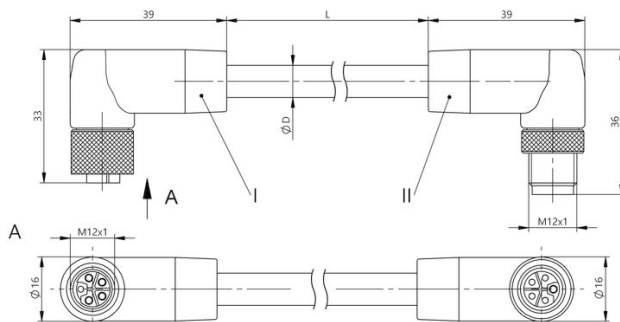
BCC M415-M415-3L-386-PX85A5...



BCC M415-M425-3L-386-PX85A5...

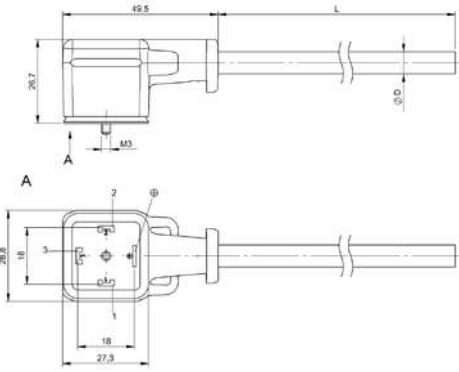


BCC M425-M415-3L-386-PX85A5...

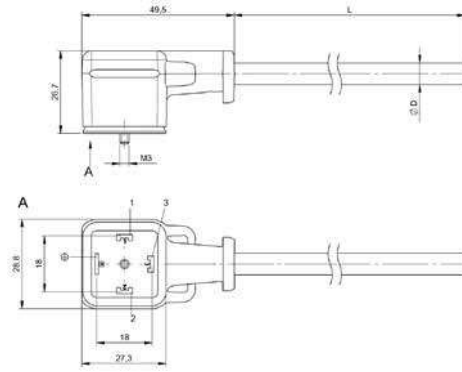


BCC M425-M425-3L-386-PX85A5...

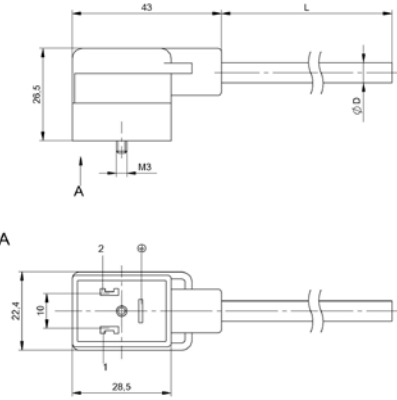
170 | Connectivity | Valve Connectors



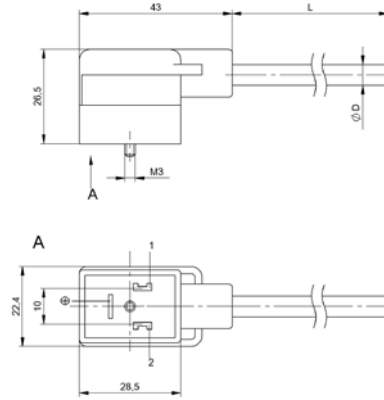
BCC PA04-0000-10-070-PX0550-...



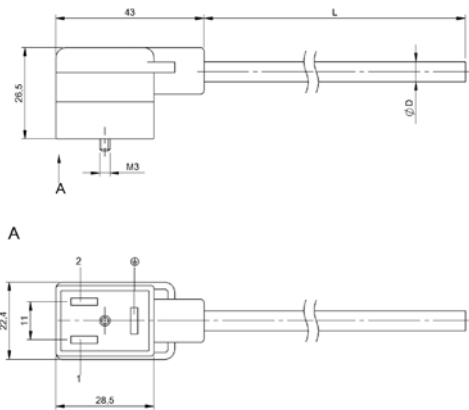
BCC PA24-0000-10-070-PX0550-...



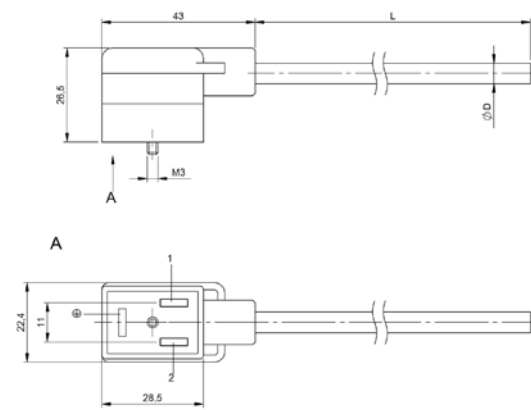
BCC VB03-0000-10-055-...



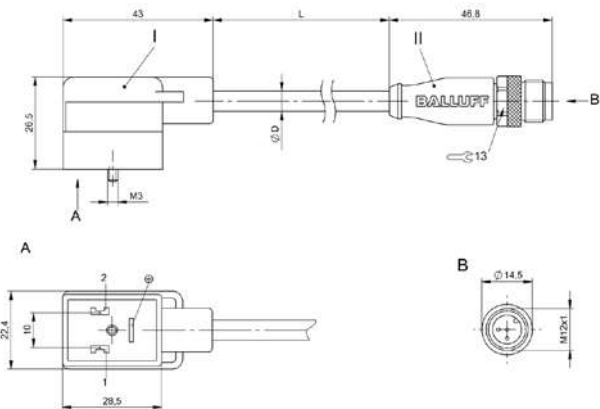
BCC VB23-0000-10-055-...



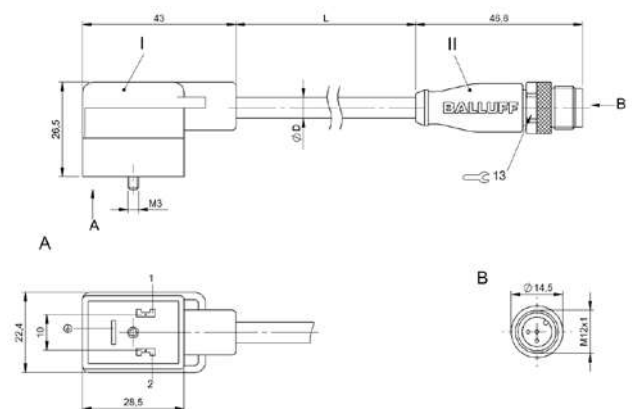
BCC VB43-0000-10-055-...



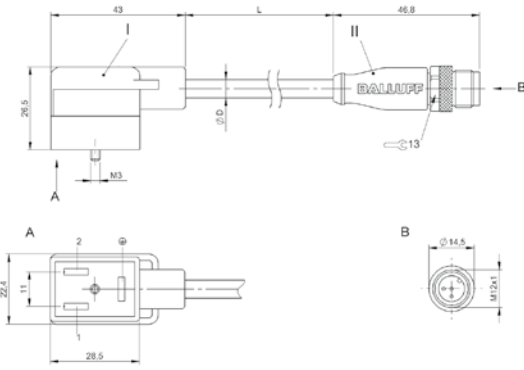
BCC VB63-0000-10-055-...



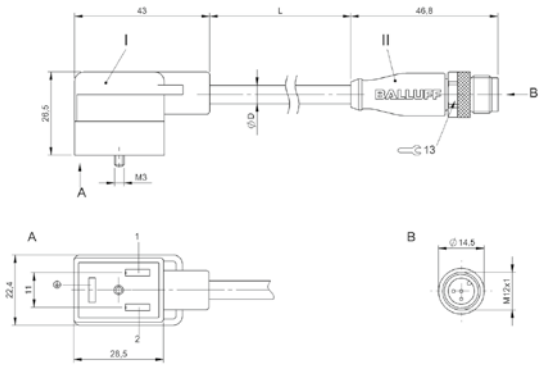
BCC VB03-M413-3E-666-PX0350-...



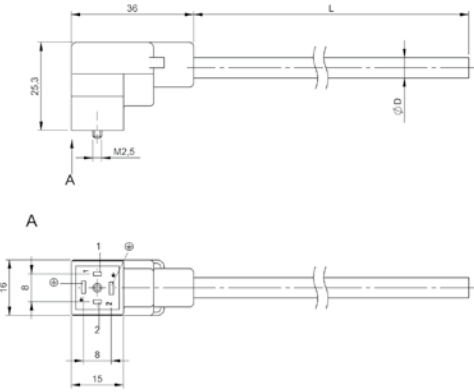
BCC VB23-M413-3E-666-PX0350-...



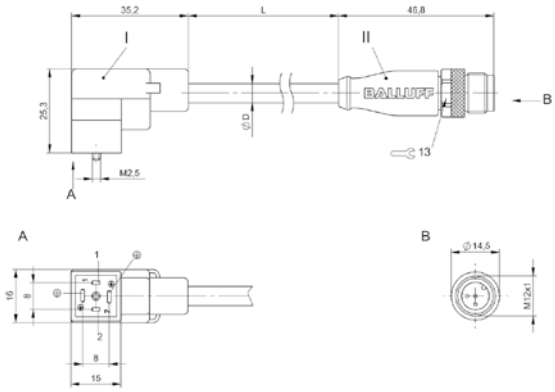
BCC VB43-M413-3E-666-PX0350-...



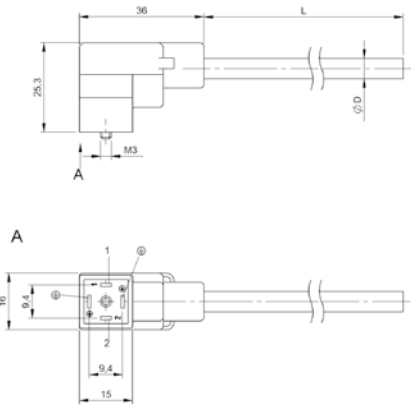
BCC VB63-M413-3E-666-PX0350-...



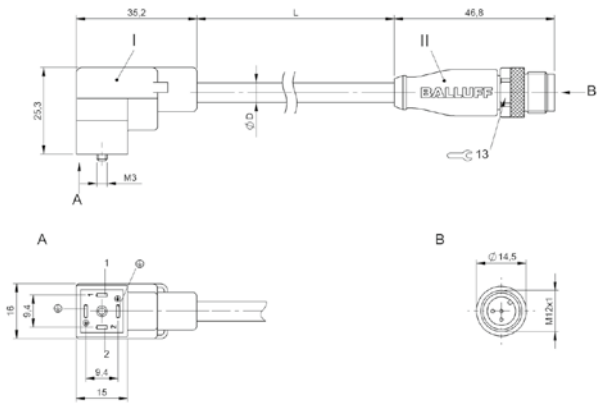
BCC VC04-0000-10-053-...



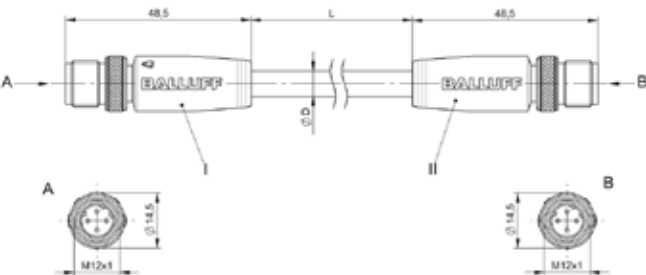
BCC VC04-M413-3E-664-PX0350-...



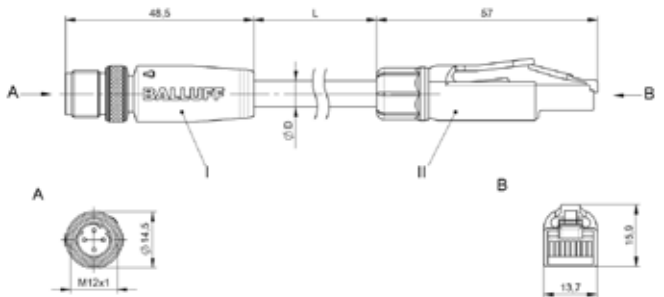
BCC VC44-0000-10-053-...



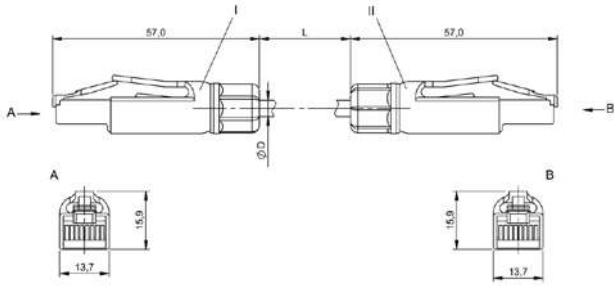
BCC VC44-M413-3E-664-PX0350-...



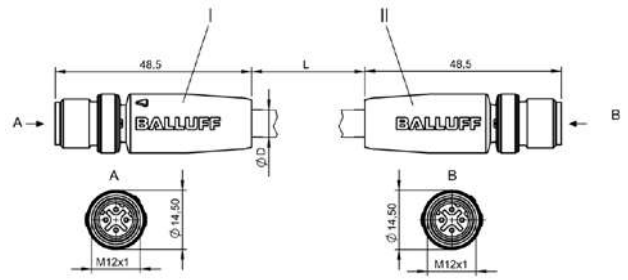
BCC M414-M414-6D-331-PS54N2-...



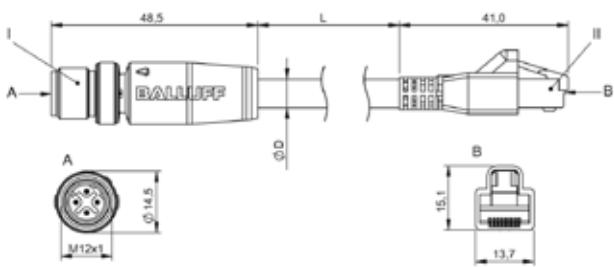
BCC M414-E834-8G-668-PS54N2-...



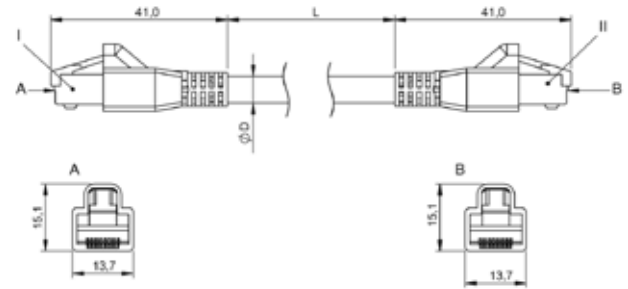
BCC E834-E834-90-334-PS54N2-...



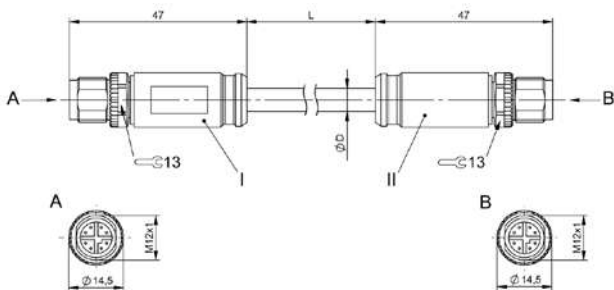
BCC M414-M414-6D-338-ES64N9-...



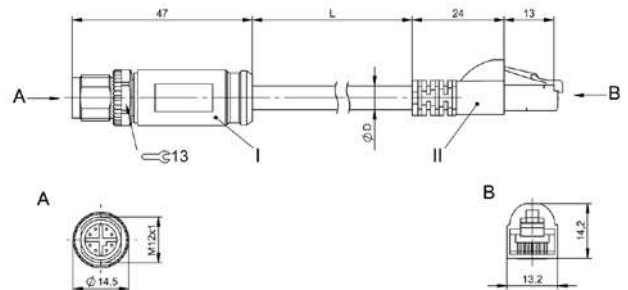
BCC M414-E894-8G-672-ES64N9-...



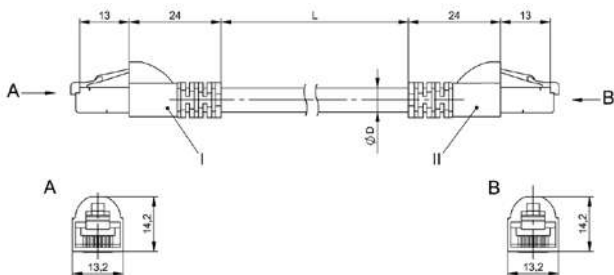
BCC E894-E894-90-339-ES64N9-...



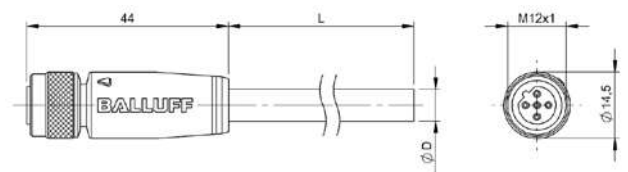
BCC M418-M418-6X-378-PS58N9-...



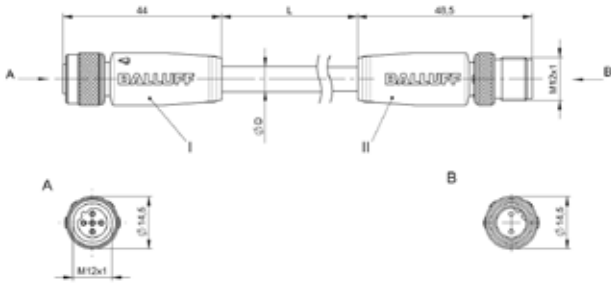
BCC M418-E818-8X0-723-PS58N9-...



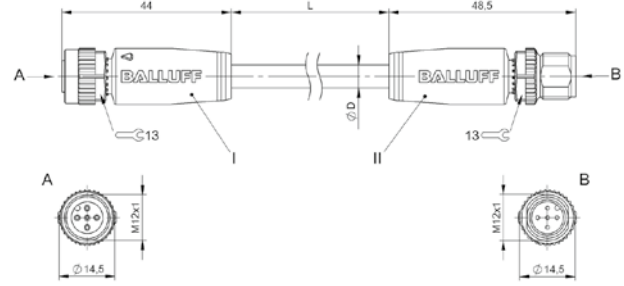
BCC E818-E818-90-377-PS58N9-...



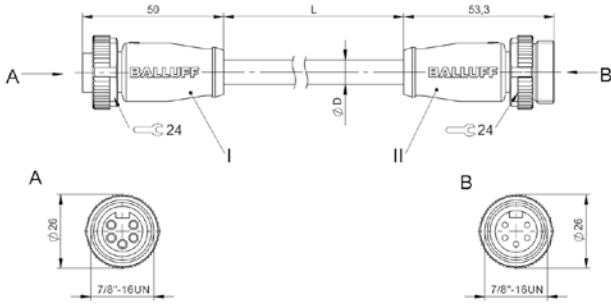
BCC M415-0000-1B-031-PS72N1-...



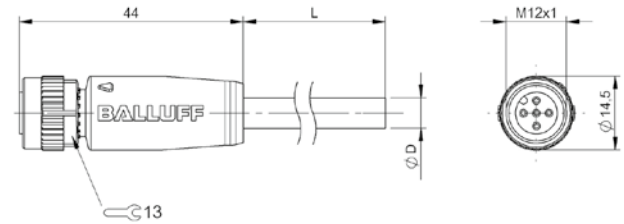
BCC M415-M412-3B-329-PS72N1-...



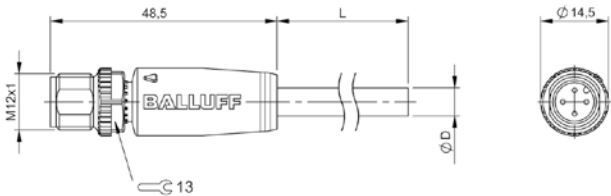
BCC M415-M415-3A-330-...



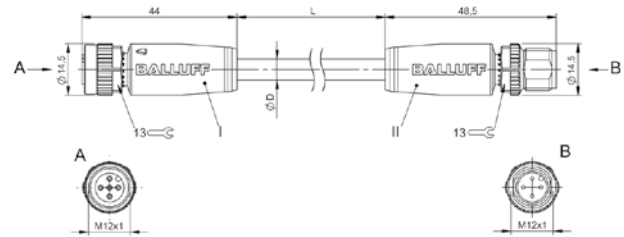
BCC A315-A315-30-330-...



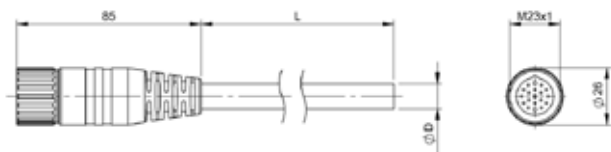
BCC M415-0000-1A-068-VS24N7-...



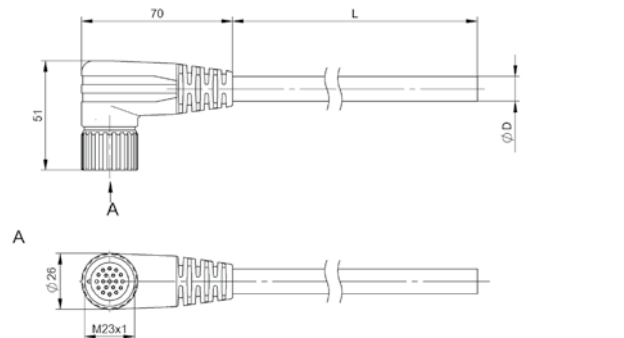
BCC M414-0000-2A-068-VS24N7-...



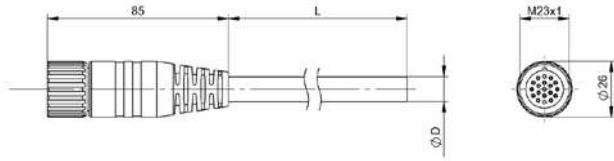
BCC M415-M414-3A-337-VS24N7-...



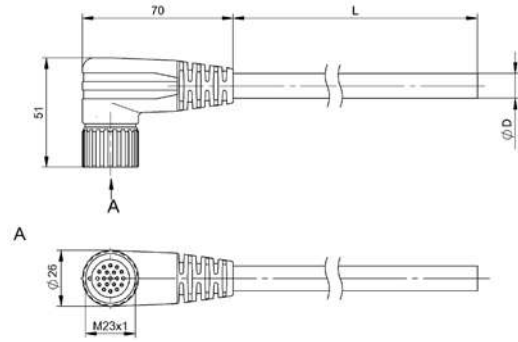
BCC M61C-0000-10-065-PX0BP4-...



BCC M62C-0000-10-065-PX0BP4-...

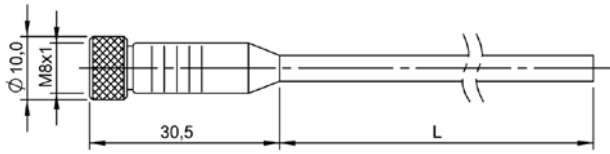


BCC M61L-0000-10-022-PX0LP4-...

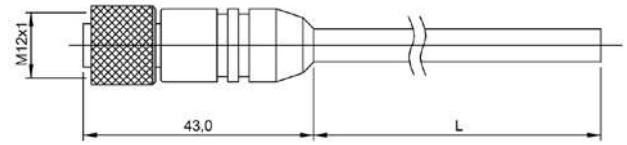


BCC M62L-0000-10-022-PX0LP4-...

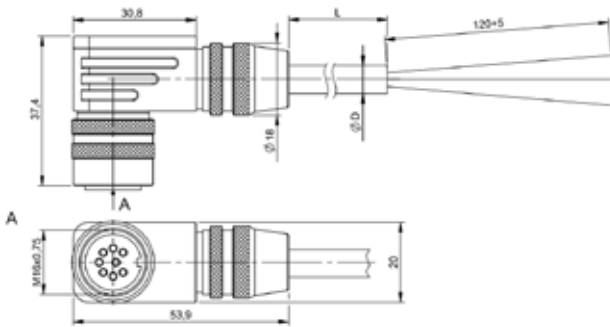




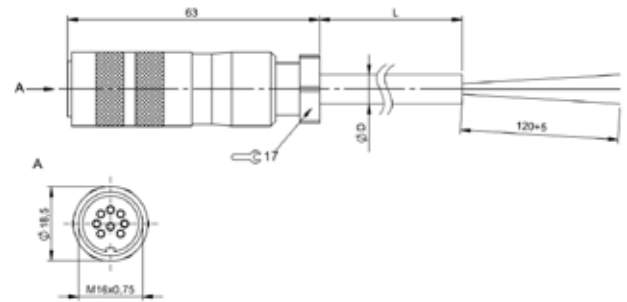
BCC0069, BCC006A, BCC006C



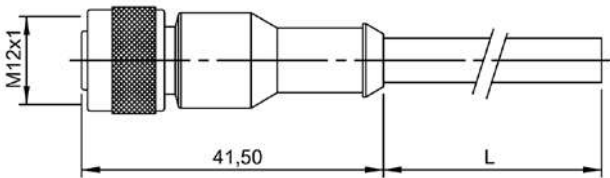
BCC0098, BCC0099, BCC009A



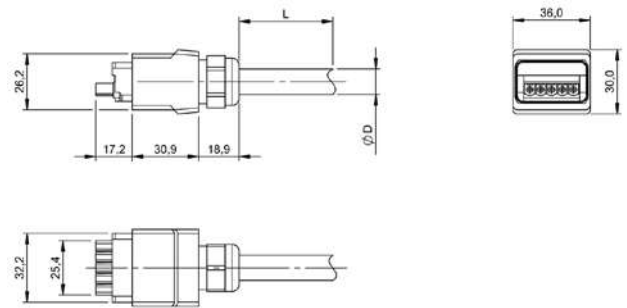
, BCC00UR, BCC00UU, BCC00UW



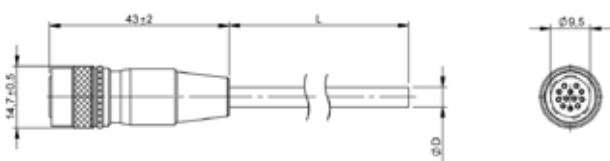
BCC00TU, BCC00TY, BCC00TZ



BCC00YE, BCC00YF, BCC00YH



BCC0F4J, BCC0F4K, BCC0F4L



BCC0KL6, BCC0KL7, BCC0KL8

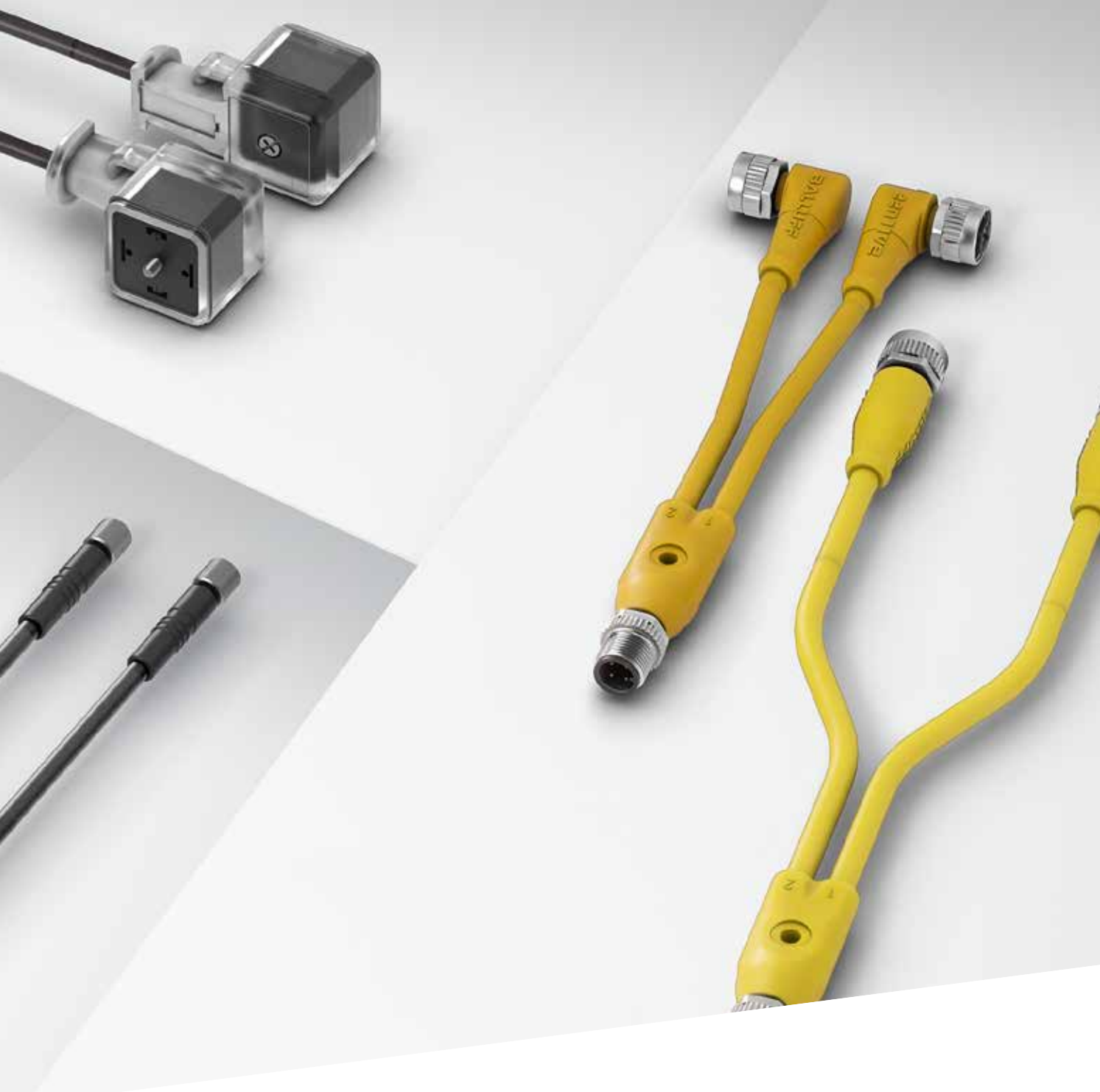






Robust splitters for rapid,  
reliable connections

# Y-SPLITTERS



With our Y-splitters, you can collect, connect and split two signals in the field. Our comprehensive program offers robust and industrial-grade Y-splitters with various designs. All splitters ensure a rapid and reliable connection.

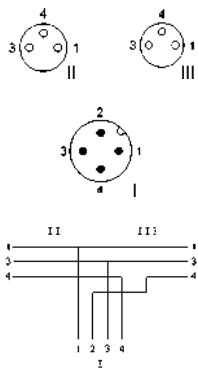
#### The most important benefits

- Connecting different lines
- Comprehensive product range
- Various designs
- Reliable and rapid connection
- High dust and water protection
- Robust and industrial grade

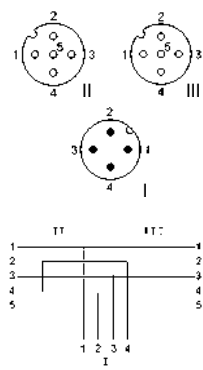


		BCC M414-M313-M313 ...
Connection		M12 male, A-coded/ M8 female, A-coded/ M8 female, A-coded
Version		straight/straight/straight
Rated voltage		60 V AC/DC
Rated current		4 A
Degree of protection		IP67/IP67, IP69K/IP67, IP69K
PUR, black		BCC M414-M313-M313-U2026-__ _@
PVC, yellow		BCC M414-M313-M313-U2012-__ _@
TPE, yellow		-
Approval/Conformity		CE, EAC
For drawing see page		182

**M12 male/  
M8 female/  
M8 female**



**M12 male/  
M12 female/  
M12 female**





BCC M414-M323-M323 ...	BCC M414-M415-M415 ...	BCC M414-M425-M425 ...
M12 male, A-coded/ M8 female, A-coded/ M8 female, A-coded	M12 male, A-coded/ M12 female, A-coded/ M12 female, A-coded	M12 male, A-coded/ M12 female, A-coded/ M12 female, A-coded
straight/angled/angled	straight/straight/straight	straight/angled/angled
60 V AC/DC	250 V AC/DC	250 V AC/DC
4 A	4 A	4 A
IP67/IP67, IP69K/IP67, IP69K	IP67/IP67, IP68, IP69K/IP67, IP68, IP69K	IP67/IP67, IP68, IP69K/IP67, IP68, IP69K
–	BCC M414-M415-M415-U2028-__ _②	BCC M414-M425-M425-U2028-__ _②
BCC M414-M323-M323-U2012-__ _②	BCC M414-M415-M415-U2010-__ _②	BCC M414-M425-M425-U2010-__ _②
–	BCC M414-M415-M415-U2002-__ _②	BCC M414-M425-M425-U2002-__ _②
CE, EAC	EAC	EAC
182	182	182

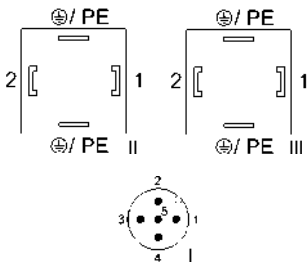
Material	Color	Number of conductors × conductor cross-section	Cable temperature fixed in place	Cable temperature flexed
<b>UNSHIELDED</b>				
PUR	Black	3 × 0.34 mm <sup>2</sup>	–50...+90 °C	–25...+90 °C
PVC	Yellow	3 × AWG22	–40...+105 °C	–5...+105 °C
TPE	Yellow	3 × AWG22	–50...+90 °C	–25...+105 °C

②	Cable length
003	0.3 m
006	0.6 m
010	1 m
020	2 m
050	5 m

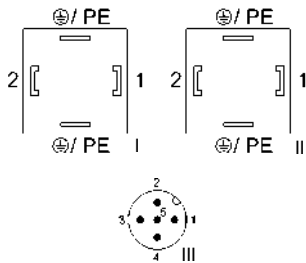
Other cable lengths on request!

Connection	
Version	
Rated voltage	No LED with LED
Rated current	
Degree of protection	
No protection circuit, no LED	
With suppressor diode, with PNP-LED	
Approval/Conformity	
For drawing see page	

**M12 male/  
DIN A, 18 mm/  
DIN A, 18 mm**



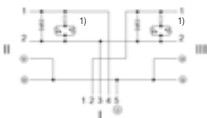
**DIN A, 18 mm/  
DIN A, 18 mm/  
M12 male**



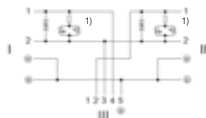
**No protection circuit,  
no LED**



**With suppressor diode,  
with PNP-LED\***



**With suppressor diode,  
with PNP-LED\***



\* <sup>1)</sup> LED yellow

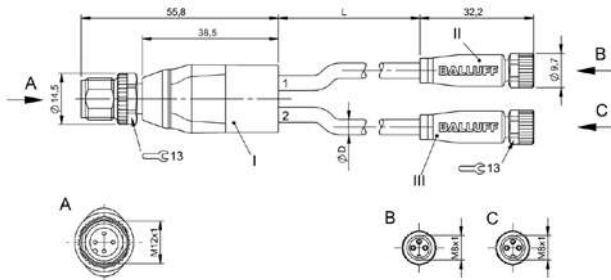


BCC M415-VA04-VA04 ...	BCC VA04-VA04-M415 ...
M12 male, A-coded/ DIN A, 18 mm, 0°/180°, female/ DIN A, 18 mm, 0°/180°, female	DIN A, 18 mm, 0°/180°, female/ DIN A, 18 mm, 0°/180°, female/ M12 male, A-coded
straight/angled/angled	angled/angled/straight
60 V AC/DC	–
30 V AC/DC	30 V AC/DC
4 A	4 A
IP67/IP67/IP67	IP67/IP67/IP67
BCC M415-VA04-VA04-U2005-__ _②	–
BCC M415-VA04-VA04-U2004-__ _②	BCC VA04-VA04-M415-T4075-__ _②
CE, EAC	CE, EAC
182	183

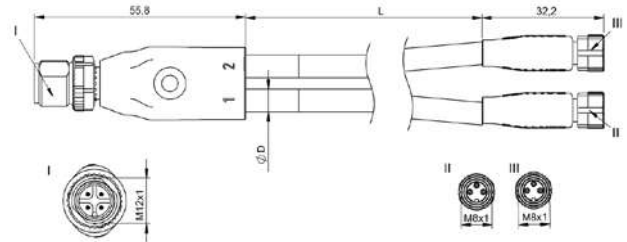
Material	Color	Number of conductors × conductor cross-section	Cable temperature fixed in place	Cable temperature flexed
<b>UNSHIELDED</b>				
PUR	Black	3 × 0.5 mm <sup>2</sup>	–50...–80 °C	–25...+80 °C

②	Cable length
<b>BCC M415-VA04-VA04 ...</b>	
005	0.5 m
010	1 m
<b>BCC VA04-VA04-M415 ...</b>	
002	0.2 m
004	0.4 m

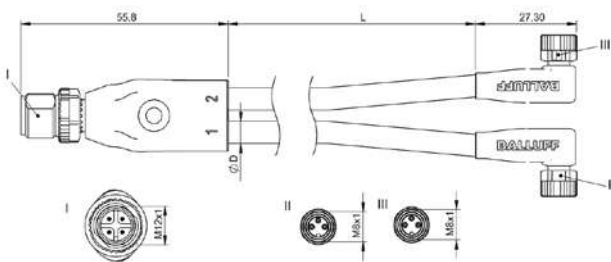
Other cable lengths on request!



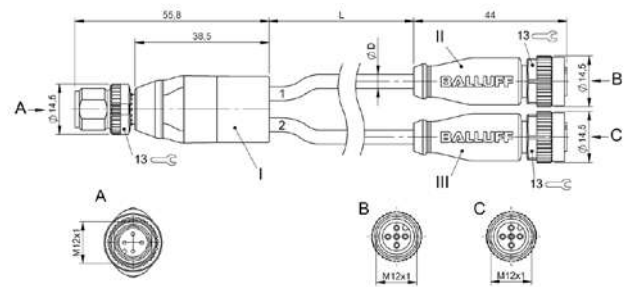
BCC M414-M313-M313-U2026-...



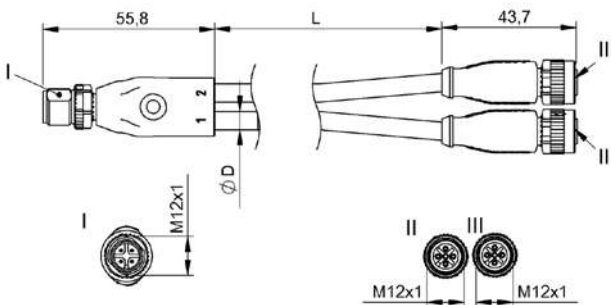
BCC M414-M313-M313-U2012-...



BCC M414-M323-M323-U2012-...

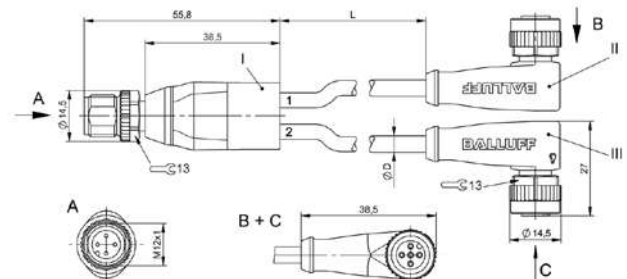


BCC M414-M415-M415-U2028-...

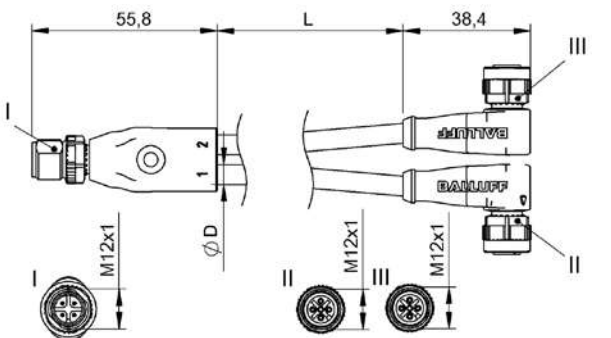


BCC M414-M415-M415-U2010-...

BCC M414-M415-M415-U2002-...

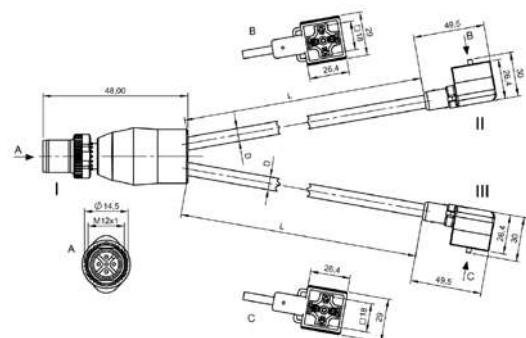


BCC M414-M425-M425-U2028-...



BCC M414-M425-M425-U2010-...

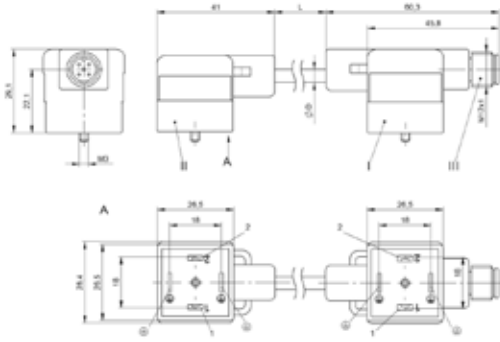
BCC M414-M425-M425-U2002-...



BCC M415-VA04-VA04-U2004-...

BCC M415-VA04-VA04-U2005-...





BCC VA04-VA04-M415-T4075-...



Splitters without wires  
ensure secure connection

# TEES



For reliable gathering, connecting and distributing two signals Balluff provides a wide range of tees. Our solutions are distinguished by their small, narrow and compact design and are available in different form factors.

Our wide product offering includes tees with M8, M12 and 7/8" connection, which are appropriate for 3-, 4- and 5-wire cables. Different protective circuits and variants without, with one or with two mounting holes offer you great flexibility.

#### The most important benefits

- Small, narrow and compact
- Extensive product range with various designs
- For reliable, fast connecting
- Robust and industrial grade
- Resistant to shocks and vibration
- Protection type IP67, optional IP68
- High-quality materials
- Bright LEDs
- Flexibly applicable – various wirings, variants without, with one or with two mounting holes



	<b>BCC0AA5</b> BCC A313-A313-A313-T0021-000	
Connection 1	7/8"-16 UN-Female, 3-pole	
Connection 2	7/8"-16 UN-Female, 3-pole	
Connection 3	7/8"-16 UN-Male, 3-pole	
Operating voltage U <sub>b</sub>	300 VDC / 300 VAC	
Rated current (40 °C)	9.0 A	
Protection degree	IP67	
Ambient temperature	-25...80 °C	
Approval/Conformity	EAC	
Productview	Page 196	



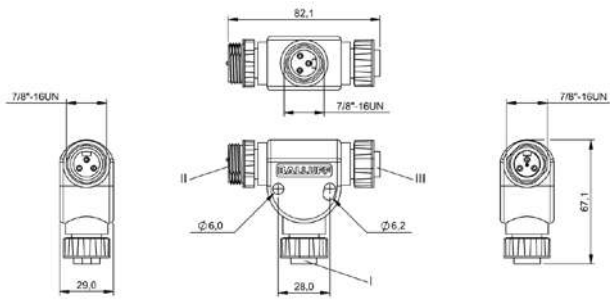
<b>BCC0AA6</b> BCC A314-A314-A314-T0022-000	<b>BCC0AA7</b> BCC A315-A315-A315-T0023-000	<b>BCC0F5C</b> BCC M314-M313-M313-U0056-000
7/8"-16 UN-Female, 4-pole	7/8"-16 UN-Female, 5-pole	M8x1-Male, 4-pole, A-coded
7/8"-16 UN-Female, 4-pole	7/8"-16 UN-Female, 5-pole	M8x1-Female, 3-pole, A-coded
7/8"-16 UN-Male, 4-pole	7/8"-16 UN-Male, 5-pole	M8x1-Female, 3-pole, A-coded
300 VDC / 300 VAC	300 VDC / 300 VAC	60 VDC / 60 VAC
9.0 A	9.0 A	4.0 A
IP67	IP67	IP68
-25...80 °C	-25...80 °C	-25...85 °C
EAC	EAC	EAC
Page 196	Page 196	Page 196



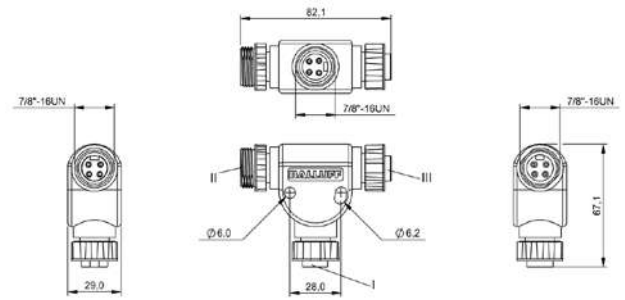
	<b>BCC09JC</b> BCC M415-M313-M313-U0014-000	
Connection 1	M12x1-Male, 4-pole, A-coded	
Connection 2	M8x1-Female, 3-pole, A-coded	
Connection 3	M8x1-Female, 3-pole, A-coded	
Operating voltage $U_b$	60 VDC / 60 VAC	
Rated current (40 °C)	4.0 A	
Protection degree	IP67	
Ambient temperature	-25...80 °C	
Approval/Conformity	EAC	
Productview	Page 196	



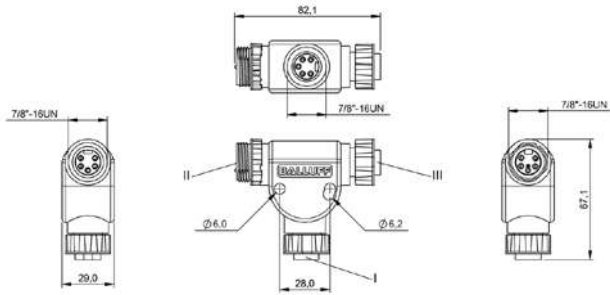
	<b>BCC089P</b> BCC M415-M415-M415-U0003-000	<b>BCC08CA</b> BCC M415-M415-M415-U0007-000	<b>BCC09MU</b> BCC M415-M415-M415-U0016-000
	M12x1-Male, 5-pole, A-coded	M12x1-Female, 5-pole, A-coded	M12x1-Male, 5-pole, A-coded
	M12x1-Female, 4-pole, A-coded	M12x1-Male, 5-pole, A-coded	M12x1-Female, 5-pole, A-coded
	M12x1-Female, 4-pole, A-coded	M12x1-Female, 5-pole, A-coded	M12x1-Female, 5-pole, A-coded
	125 VDC / 125 VAC	60 VDC / 60 VAC	125 VDC / 125 VAC
	4.0 A	4.0 A	4.0 A
	IP67	IP67	IP67
	-25...80 °C	-25...90 °C	-20...80 °C
	cURus, EAC	EAC	cURus, EAC
	Page 196	Page 196	Page 196



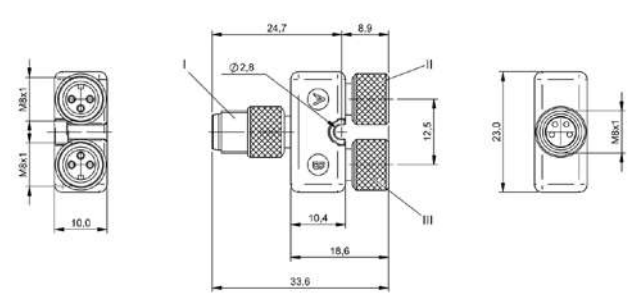
BCC0AA5



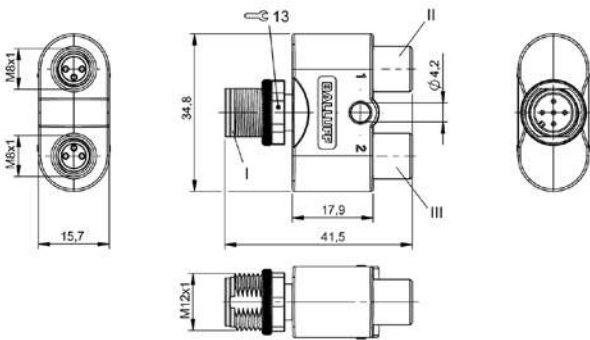
BCC0AA6



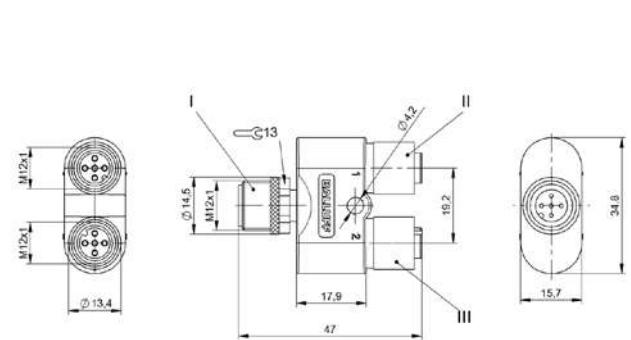
BCC0AA7



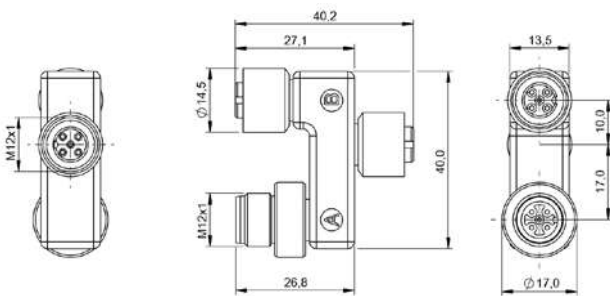
BCC0F5C



BCC09JC



BCC089P, BCC09MU



BCC08CA







The right connector for every industry

# FIELD ATTACHABLES



Balluff offers you an extensive product range of field attachables for the secure transmission of signals, data and power. From various designs and housing materials, you can select exactly the product that fits your application.

All plug connectors are extremely robust and industrial grade.

#### The most important benefits

- Large selection for every industry
- Various designs
- Various housing materials
- Secure transmission of signals, data and power
- Robust and industrial grade



	<b>BCC0AT9</b> BCC A333-0000-10-000-61X3A5-000	
Connection	7/8"-16 UN-Female, straight, 3-pole	
Number of connectable contacts	3	
Connection cross-section	0.14...1.5 mm <sup>2</sup>	
Type of wire mounting	Screw terminals	
Cable diameter D	8...10 mm	
Operating voltage U <sub>b</sub>	600 VDC / 600 VAC	
Rated current (40 °C)	9.0 A	
Protection degree	IP67	
Ambient temperature	-25...85 °C	
Approval/Conformity	EAC, cURus	
Productview	Page 244	



<b>BCCOATA</b> BCC A333-0000-10-000-71X3A5-000	<b>BCCOATC</b> BCC A333-0000-20-000-61X3A5-000	<b>BCCOATE</b> BCC A333-0000-20-000-71X3A5-000
7/8"-16 UN-Female, straight, 3-pole	7/8"-16 UN-Male, straight, 3-pole	7/8"-16 UN-Male, straight, 3-pole
3	3	3
0.14...1.5 mm <sup>2</sup>	0.14...1.5 mm <sup>2</sup>	0.14...1.5 mm <sup>2</sup>
Screw terminals	Screw terminals	Screw terminals
10...12 mm	8...10 mm	10...12 mm
600 VDC / 600 VAC	600 VDC / 600 VAC	600 VDC / 600 VAC
9.0 A	9.0 A	9.0 A
IP67	IP67	IP67
-25...85 °C	-25...85 °C	-25...85 °C
EAC, cURus	EAC, cURus	EAC, cURus
Page 244	Page 244	Page 244



	<b>BCC0706</b> BCC A334-0000-10-000-51X4A5-000	
Connection	7/8"-16 UN-Female, straight, 4-pole	
Number of connectable contacts	4	
Connection cross-section	0.14...1.5 mm <sup>2</sup>	
Type of wire mounting	Screw terminals	
Cable diameter D	6...8 mm	
Operating voltage U <sub>b</sub>	600 VDC / 600 VAC	
Rated current (40 °C)	9.0 A	
Protection degree	IP67	
Ambient temperature	-25...85 °C	
Approval/Conformity	EAC, cURus	
Productview	Page 244	



<b>BCC0707</b> BCC A334-0000-10-000-61X4A5-000	<b>BCC0708</b> BCC A334-0000-10-000-71X4A5-000	<b>BCC0709</b> BCC A334-0000-20-000-51X4A5-000
7/8"-16 UN-Female, straight, 4-pole	7/8"-16 UN-Female, straight, 4-pole	7/8"-16 UN-Male, straight, 4-pole
4	4	4
0.14...1.5 mm <sup>2</sup>	0.14...1.5 mm <sup>2</sup>	0.14...1.5 mm <sup>2</sup>
Screw terminals	Screw terminals	Screw terminals
8...10 mm	10...12 mm	6...8 mm
600 VDC / 600 VAC	600 VDC / 600 VAC	600 VDC / 600 VAC
9.0 A	9.0 A	9.0 A
IP67	IP67	IP67
-25...85 °C	-25...85 °C	-25...85 °C
EAC, cURus	EAC, cURus	EAC, cURus
Page 244	Page 244	Page 244



	<b>BCC070A</b> BCC A334-0000-20-000-61X4A5-000	
Connection	7/8"-16 UN-Male, straight, 4-pole	
Number of connectable contacts	4	
Connection cross-section	0.14...1.5 mm <sup>2</sup>	
Type of wire mounting	Screw terminals	
Cable diameter D	8...10 mm	
Operating voltage U <sub>b</sub>	600 VDC / 600 VAC	
Rated current (40 °C)	9.0 A	
Protection degree	IP67	
Ambient temperature	-25...85 °C	
Approval/Conformity	EAC, cURus	
Productview	Page 245	





<b>BCC070C</b> BCC A334-0000-20-000-71X4A5-000	<b>BCC070E</b> BCC A335-0000-10-000-51X5A5-000	<b>BCC070F</b> BCC A335-0000-10-000-61X5A5-000
7/8"-16 UN-Male, straight, 4-pole	7/8"-16 UN-Female, straight, 5-pole	7/8"-16 UN-Female, straight, 5-pole
4	5	5
0.14...1.5 mm <sup>2</sup>	0.14...1.5 mm <sup>2</sup>	0.14...1.5 mm <sup>2</sup>
Screw terminals	Screw terminals	Screw terminals
10...12 mm	6...8 mm	8...10 mm
600 VDC / 600 VAC	600 VDC / 600 VAC	600 VDC / 600 VAC
9.0 A	9.0 A	9.0 A
IP67	IP67	IP67
-25...85 °C	-25...85 °C	-25...85 °C
EAC, cURus	EAC, cURus	EAC, cURus
Page 245	Page 245	Page 245



	<b>BCC070H</b> BCC A335-0000-10-000-71X5A5-000	
Connection	7/8"-16 UN-Female, straight, 5-pole	
Number of connectable contacts	5	
Connection cross-section	0.14...1.5 mm <sup>2</sup>	
Type of wire mounting	Screw terminals	
Cable diameter D	10...12 mm	
Operating voltage U <sub>b</sub>	600 VDC / 600 VAC	
Rated current (40 °C)	9.0 A	
Protection degree	IP67	
Ambient temperature	-25...85 °C	
Approval/Conformity	EAC, cURus	
Productview	Page 245	



<b>BCCOATH</b> BCC A335-0000-10-000-81X5A5-000	<b>BCC070J</b> BCC A335-0000-20-000-51X5A5-000	<b>BCC070K</b> BCC A335-0000-20-000-61X5A5-000
7/8"-16 UN-Female, straight, 5-pole	7/8"-16 UN-Male, straight, 5-pole	7/8"-16 UN-Male, straight, 5-pole
5	5	5
0.14...1.5 mm <sup>2</sup>	0.14...1.5 mm <sup>2</sup>	0.14...1.5 mm <sup>2</sup>
Screw terminals	Screw terminals	Screw terminals
12...14 mm	6...8 mm	8...10 mm
600 VDC / 600 VAC	600 VDC / 600 VAC	600 VDC / 600 VAC
9.0 A	9.0 A	9.0 A
IP67	IP67	IP67
-25...85 °C	-25...85 °C	-25...85 °C
EAC, cURus	EAC, cURus	EAC, cURus
Page 245	Page 245	Page 245



	<b>BCC070L</b> BCC A335-0000-20-000-71X5A5-000	
Connection	7/8"-16 UN-Male, straight, 5-pole	
Number of connectable contacts	5	
Connection cross-section	0.14...1.5 mm <sup>2</sup>	
Type of wire mounting	Screw terminals	
Cable diameter D	10...12 mm	
Operating voltage U <sub>b</sub>	600 VDC / 600 VAC	
Rated current (40 °C)	9.0 A	
Protection degree	IP67	
Ambient temperature	-25...85 °C	
Approval/Conformity	EAC, cURus	
Productview	Page 245	



<b>BCCOATF</b> BCC A335-0000-20-000-81X5A5-000	<b>BCCOHLN</b> BCC M333-0000-10-000-13X325-000	<b>BCCOHLU</b> BCC M333-0000-10-000-13X350-000
7/8"-16 UN-Male, straight, 5-pole	M8x1-Female, straight, 3-pole, A-coded	M8x1-Female, straight, 3-pole, A-coded
5	3	3
0.14...1.5 mm <sup>2</sup>	0.08...0.25 mm <sup>2</sup>	0.25...0.5 mm <sup>2</sup>
Screw terminals	Insulation displacement connector technology	Insulation displacement connector technology
12...14 mm	2.5...5.2 mm	2.5...5.2 mm
600 VDC / 600 VAC	60 VDC / 60 VAC	60 VDC / 60 VAC
9.0 A	4.0 A	4.0 A
IP67	IP67	IP67
-25...85 °C	-25...85 °C	-25...85 °C
EAC, cURus	EAC	EAC
Page 245	Page 246	Page 246



	<b>BCC06Z1</b> BCC M333-0000-10-000-31X350-000	
Connection	M8x1-Female, straight, 3-pole, A-coded	
Number of connectable contacts	3	
Connection cross-section	0.14...0.5 mm <sup>2</sup>	
Type of wire mounting	Screw terminals	
Cable diameter D	3.5...5 mm	
Operating voltage U <sub>b</sub>	60 VDC / 60 VAC	
Rated current (40 °C)	4.0 A	
Protection degree	IP67	
Ambient temperature	-25...85 °C	
Approval/Conformity	EAC, cULus	
Productview	Page 246	



<b>BCC02HC</b> BKS-S111-RT13	<b>BCC0HLP</b> BCC M333-0000-20-000-13X325-000	
M8x1-Female, straight, 3-pole, A-coded	M8x1-Male, straight, 3-pole, A-coded	
3	3	
0.14...0.34 mm <sup>2</sup>	0.08...0.25 mm <sup>2</sup>	
Insulation displacement connector technology	Insulation displacement connector technology	
2.5...5.1 mm	2.5...5.2 mm	
32 VDC / 32 VAC	60 VDC / 60 VAC	
4.0 A	4.0 A	
IP67	IP67	
-40...85 °C	-25...85 °C	
cURus, EAC	EAC	
Page 246	Page 246	



	<b>BCCOHLW</b> BCC M333-0000-20-000-13X350-000	
Connection	M8x1-Male, straight, 3-pole, A-coded	
Number of connectable contacts	3	
Connection cross-section	0.25...0.5 mm <sup>2</sup>	
Type of wire mounting	Insulation displacement connector technology	
Cable diameter D	2.5...5.2 mm	
Operating voltage U <sub>b</sub>	60 VDC / 60 VAC	
Rated current (40 °C)	4.0 A	
Protection degree	IP67	
Ambient temperature	-25...85 °C	
Approval/Conformity	EAC	
Productview	Page 246	





<b>BCC0E7N</b> BCC M333-0000-20-000-31X350-000-C027	<b>BCC02HE</b> BKS-S113-RT13	<b>BCC0HLR</b> BCC M334-0000-10-000-13X425-000
M8x1-Male, straight, 3-pole, A-coded	M8x1-Male, straight, 3-pole, A-coded	M8x1-Female, straight, 4-pole, A-coded
3	3	4
0.14...0.5 mm <sup>2</sup>	0.14...0.34 mm <sup>2</sup>	0.08...0.25 mm <sup>2</sup>
Screw terminals	Insulation displacement connector technology	Insulation displacement connector technology
2.2...3.5 mm	2.5...5.1 mm	2.5...5.2 mm
60 VDC / 60 VAC	32 VDC / 32 VAC	30 VDC / 30 VAC
4.0 A	4.0 A	4.0 A
IP67	IP67	IP67
-25...85 °C	-40...85 °C	-25...85 °C
EAC	cURus, EAC	EAC
Page 246	Page 246	Page 246



	<b>BCCOHL</b> BCC M334-0000-10-000-13X450-000	
Connection	M8x1-Female, straight, 4-pole, A-coded	
Number of connectable contacts	4	
Connection cross-section	0.25...0.5 mm <sup>2</sup>	
Type of wire mounting	Insulation displacement connector technology	
Cable diameter D	2.5...5.2 mm	
Operating voltage U <sub>b</sub>	30 VDC / 30 VAC	
Rated current (40 °C)	4.0 A	
Protection degree	IP67	
Ambient temperature	-25...85 °C	
Approval/Conformity	EAC	
Productview	Page 247	



<b>BCC06Z5</b> BCC M334-0000-10-000-31X450-000	<b>BCC02HF</b> BKS-S216-RT14	<b>BCC0HLT</b> BCC M334-0000-20-000-13X425-000
M8x1-Female, straight, 4-pole, A-coded	M8x1-Female, straight, 4-pole, A-coded	M8x1-Male, straight, 4-pole, A-coded
4	4	4
0.14...0.5 mm <sup>2</sup>	0.14...0.34 mm <sup>2</sup>	0.08...0.25 mm <sup>2</sup>
Screw terminals	Insulation displacement connector technology	Insulation displacement connector technology
3.5...5 mm	2.5...5.1 mm	2.5...5.2 mm
60 VDC / 60 VAC	32 VDC / 32 VAC	30 VDC / 30 VAC
4.0 A	4.0 A	4.0 A
IP67	IP67	IP67
-25...85 °C	-40...85 °C	-25...85 °C
EAC, cULus	cURus, EAC	EAC
Page 247	Page 247	Page 247



	<b>BCC0HLZ</b> BCC M334-0000-20-000-13X450-000	
Connection	M8x1-Male, straight, 4-pole, A-coded	
Number of connectable contacts	4	
Connection cross-section	0.25...0.5 mm <sup>2</sup>	
Type of wire mounting	Insulation displacement connector technology	
Cable diameter D	2.5...5.2 mm	
Operating voltage U <sub>b</sub>	30 VDC / 30 VAC	
Rated current (40 °C)	4.0 A	
Protection degree	IP67	
Ambient temperature	-25...85 °C	
Approval/Conformity	EAC	
Productview	Page 247	



<b>BCC06Z7</b> BCC M334-0000-20-000-31X450-000	<b>BCC02HH</b> BKS-S218-RT14	<b>BCC06M4</b> BCC M434-0000-2A-000-41X475-000
M8x1-Male, straight, 4-pole, A-coded	M8x1-Male, straight, 4-pole, A-coded	M12x1-Male, straight, 4-pole, A-coded
4	4	4
0.14...0.5 mm <sup>2</sup>	0.14...0.34 mm <sup>2</sup>	0.14...0.75 mm <sup>2</sup>
Screw terminals	Insulation displacement connector technology	Screw terminals
3.5...5 mm	2.5...5.1 mm	4...6 mm
60 VDC / 60 VAC	32 VDC / 32 VAC	250 VDC / 250 VAC
4.0 A	4.0 A	4.0 A
IP67	IP67	IP67
-25...85 °C	-40...85 °C	-25...85 °C
EAC, cULus	cURus, EAC	cURus, EAC
Page 247	Page 247	Page 247



	<b>BCC08C0</b> BCC M434-0000-2A-000-43X434-000	
Connection	M12x1-Male, straight, 4-pole, A-coded	
Number of connectable contacts	4	
Connection cross-section	0.14...0.34 mm <sup>2</sup>	
Type of wire mounting	Insulation displacement connector technology	
Cable diameter D	3.5...6 mm	
Operating voltage U <sub>b</sub>	125 VDC / 125 VAC	
Rated current (40 °C)	4.0 A	
Protection degree	IP67	
Ambient temperature	-25...80 °C	
Approval/Conformity	EAC	
Productview	Page 248	



<b>BCCOF9M</b> BCC M434-0000-2A-000-45X450-000	<b>BCC06F7</b> BCC M434-0000-2A-000-51X475-000	<b>BCC06Y5</b> BCC M434-0000-2A-000-55X450-000
M12x1-Male, straight, 4-pole, A-coded	M12x1-Male, straight, 4-pole, A-coded	M12x1-Male, straight, 4-pole, A-coded
4	4	4
0.14...0.5 mm <sup>2</sup>	0.14...0.75 mm <sup>2</sup>	0.14...0.5 mm <sup>2</sup>
Spring clamp terminals	Screw terminals	Spring clamp terminals
4...6 mm	6...8 mm	6...8 mm
250 VDC / 250 VAC	250 VDC / 250 VAC	250 VDC / 250 VAC
4.0 A	4.0 A	4.0 A
IP67	IP67	IP67
-25...85 °C	-25...85 °C	-25...85 °C
EAC	cURus, EAC	EAC
Page 248	Page 248	Page 248



	<b>BCC0869</b> BCC M474-0000-2A-000-01X475-000	
Connection	M12x1-Male, straight, 4-pole, A-coded	
Number of connectable contacts	4	
Connection cross-section	0.14...0.75 mm <sup>2</sup>	
Type of wire mounting	Screw terminals	
Cable diameter D	5...8 mm	
Operating voltage U <sub>b</sub>	250 VDC / 250 VAC	
Rated current (40 °C)	4.0 A	
Protection degree	IP67	
Ambient temperature	-25...85 °C	
Approval/Conformity	EAC	
Productview	Page 248	





<b>BCC02H9</b> BKS-S109-RT14	<b>BCC06ZC</b> BCC M444-0000-2A-000-41X475-000	<b>BCC06ZE</b> BCC M444-0000-2A-000-51X475-000
M12x1-Male, straight, 4-pole, A-coded	M12x1-Male, angled, 4-pole, A-coded	M12x1-Male, angled, 4-pole, A-coded
4	4	4
0.14...0.34 mm <sup>2</sup>	0.14...0.75 mm <sup>2</sup>	0.14...0.75 mm <sup>2</sup>
Insulation displacement connector technology	Screw terminals	Screw terminals
2.9...5.1 mm	4...6 mm	6...8 mm
32 VDC / 32 VAC	250 VDC / 250 VAC	250 VDC / 250 VAC
4.0 A	4.0 A	4.0 A
IP67	IP67	IP67
-40...85 °C	-25...85 °C	-25...85 °C
cURus, EAC	cURus, EAC	cURus, EAC
Page 248	Page 248	Page 248



	<b>BCC02H7</b> BKS-S 77-RT04	
Connection	M12x1-Male, angled, 4-pole, A-coded	
Number of connectable contacts	4	
Connection cross-section	0.25...0.5 mm <sup>2</sup>	
Type of wire mounting	Insulation displacement connector technology	
Cable diameter D	4...5.1 mm	
Operating voltage U <sub>b</sub>	32 VDC / 32 VAC	
Rated current (40 °C)	4.0 A	
Protection degree	IP67	
Ambient temperature	-40...85 °C	
Approval/Conformity	cURus, EAC	
Productview	Page 248	



<b>BCC06Z9</b> BCC M435-0000-1A-000-41X475-000	<b>BCC06ZF</b> BCC M435-0000-1A-000-41X575-000	<b>BCC06ZY</b> BCC M435-0000-1A-000-43X434-000
M12x1-Female, straight, 5-pole, A-coded	M12x1-Female, straight, 5-pole, A-coded	M12x1-Female, straight, 5-pole, A-coded
4	5	4
0.14...0.75 mm <sup>2</sup>	0.14...0.75 mm <sup>2</sup>	0.14...0.34 mm <sup>2</sup>
Screw terminals	Screw terminals	Insulation displacement connector technology
4...6 mm	4...6 mm	3.5...6 mm
250 VDC / 250 VAC	125 VDC / 125 VAC	250 VDC / 250 VAC
4.0 A	4.0 A	4.0 A
IP67	IP67	IP67
-25...85 °C	-25...85 °C	-40...80 °C
cURus, EAC	cURus, EAC	EAC
Page 248	Page 248	Page 249



	<b>BCC0F9N</b> BCC M435-0000-1A-000-45X450-000	
Connection	M12x1-Female, straight, 5-pole, A-coded	
Number of connectable contacts	4	
Connection cross-section	0.14...0.5 mm <sup>2</sup>	
Type of wire mounting	Spring clamp terminals	
Cable diameter D	4...6 mm	
Operating voltage U <sub>b</sub>	250 VDC / 250 VAC	
Rated current (40 °C)	4.0 A	
Protection degree	IP67	
Ambient temperature	-25...85 °C	
Approval/Conformity	EAC	
Productview	Page 248	



<b>BCC06F6</b> BCC M435-0000-1A-000-51X475-000	<b>BCC06W9</b> BCC M435-0000-1A-000-51X575-000	<b>BCC06Y6</b> BCC M435-0000-1A-000-55X450-000
M12x1-Female, straight, 5-pole, A-coded	M12x1-Female, straight, 5-pole, A-coded	M12x1-Female, straight, 5-pole, A-coded
4	5	4
0.14...0.75 mm <sup>2</sup>	0.14...0.75 mm <sup>2</sup>	0.14...0.5 mm <sup>2</sup>
Screw terminals	Screw terminals	Spring clamp terminals
6...8 mm	6...8 mm	6...8 mm
250 VDC / 250 VAC	125 VDC / 125 VAC	250 VDC / 250 VAC
4.0 A	4.0 A	4.0 A
IP67	IP67	IP67
-25...85 °C	-25...85 °C	-25...85 °C
cURus, EAC	cURus, EAC	EAC
Page 249	Page 249	Page 249



	<b>BCC09JP</b> BCC M435-0000-1A-000-A1X575-000	
Connection	M12x1-Female, straight, 5-pole, A-coded	
Number of connectable contacts	5	
Connection cross-section	0.14...0.75 mm <sup>2</sup>	
Type of wire mounting	Screw terminals	
Cable diameter D	2.1...3 mm	
Operating voltage U <sub>b</sub>	125 VDC / 125 VAC	
Rated current (40 °C)	4.0 A	
Protection degree	IP67	
Ambient temperature	-25...85 °C	
Approval/Conformity	cURus, EAC	
Productview	Page 249	



<b>BCC06ZM</b> BCC M475-0000-1A-000-01X475-000	<b>BCC06ZN</b> BCC M475-0000-1A-000-01X575-000	<b>BCC02H8</b> BKS-S107-RT14
M12x1-Female, straight, 5-pole, A-coded	M12x1-Female, straight, 5-pole, A-coded	M12x1-Female, straight, 5-pole, A-coded
4	5	4
0.14...0.75 mm <sup>2</sup>	0.14...0.75 mm <sup>2</sup>	0.14...0.34 mm <sup>2</sup>
Screw terminals	Screw terminals	Insulation displacement connector technology
5...8 mm	5...8 mm	2.9...5.1 mm
250 VDC / 250 VAC	125 VDC / 125 VAC	32 VDC / 32 VAC
4.0 A	4.0 A	4.0 A
IP67	IP67	IP67
-25...85 °C	-25...85 °C	-40...85 °C
EAC	cURus, EAC	cURus, EAC
Page 249	Page 249	Page 249



	<b>BCC06YA</b> BCC M435-0000-2A-000-41X575-000	
Connection	M12x1-Male, straight, 5-pole, A-coded	
Number of connectable contacts	5	
Connection cross-section	0.14...0.75 mm <sup>2</sup>	
Type of wire mounting	Screw terminals	
Cable diameter D	4...6 mm	
Operating voltage U <sub>b</sub>	125 VDC / 125 VAC	
Rated current (40 °C)	4.0 A	
Protection degree	IP67	
Ambient temperature	-25...85 °C	
Approval/Conformity	cURus, EAC	
Productview	Page 249	





<b>BCC06EY</b> BCC M435-0000-2A-000-51X575-000	<b>BCC09JW</b> BCC M435-0000-2A-000-A1X575-000	<b>BCC086A</b> BCC M475-0000-2A-000-01X575-000
M12x1-Male, straight, 5-pole, A-coded	M12x1-Male, straight, 5-pole, A-coded	M12x1-Male, straight, 5-pole, A-coded
5	5	5
0.14...0.75 mm <sup>2</sup>	0.14...0.75 mm <sup>2</sup>	0.14...0.75 mm <sup>2</sup>
Screw terminals	Screw terminals	Screw terminals
6...8 mm	2.1...3 mm	5...8 mm
125 VDC / 125 VAC	125 VDC / 125 VAC	250 VDC / 250 VAC
4.0 A	4.0 A	4.0 A
IP67	IP67	IP67
-25...85 °C	-25...85 °C	-25...85 °C
cURus, EAC	cURus, EAC	cURus, EAC
Page 249	Page 249	Page 250



	<b>BCC06ZA</b> BCC M445-0000-1A-000-41X475-000	
Connection	M12x1-Female, angled, 5-pole, A-coded	
Number of connectable contacts	4	
Connection cross-section	0.14...0.75 mm <sup>2</sup>	
Type of wire mounting	Screw terminals	
Cable diameter D	4...6 mm	
Operating voltage U <sub>b</sub>	250 VDC / 250 VAC	
Rated current (40 °C)	4.0 A	
Protection degree	IP67	
Ambient temperature	-40...85 °C	
Approval/Conformity	EAC	
Productview	Page 250	



<b>BCC06ZH</b> BCC M445-0000-1A-000-41X575-000	<b>BCC06Y8</b> BCC M445-0000-1A-000-51X475-000	<b>BCC06ZJ</b> BCC M445-0000-1A-000-51X575-000
M12x1-Female, angled, 5-pole, A-coded	M12x1-Female, angled, 5-pole, A-coded	M12x1-Female, angled, 5-pole, A-coded
5	4	5
0.14...0.75 mm <sup>2</sup>	0.14...0.75 mm <sup>2</sup>	0.14...0.75 mm <sup>2</sup>
Screw terminals	Screw terminals	Screw terminals
4...6 mm	6...8 mm	6...8 mm
125 VDC / 125 VAC	250 VDC / 250 VAC	125 VDC / 125 VAC
4.0 A	4.0 A	4.0 A
IP67	IP67	IP67
-40...85 °C	-40...85 °C	-40...85 °C
cURus, EAC	cURus, EAC	cURus, EAC
Page 250	Page 250	Page 250



	<b>BCC02H6</b> BKS-S 76-RT04	
Connection	M12x1-Female, angled, 5-pole, A-coded	
Number of connectable contacts	4	
Connection cross-section	0.25...0.5 mm <sup>2</sup>	
Type of wire mounting	Insulation displacement connector technology	
Cable diameter D	4...5.1 mm	
Operating voltage U <sub>b</sub>	32 VDC / 32 VAC	
Rated current (40 °C)	4.0 A	
Protection degree	IP67	
Ambient temperature	-40...85 °C	
Approval/Conformity	cURus, EAC	
Productview	Page 250	



<b>BCC06ZK</b> BCC M445-0000-2A-000-41X575-000	<b>BCC06ZL</b> BCC M445-0000-2A-000-51X575-000	<b>BCC0A03</b> BCC M438-0000-1A-000-51X850-000
M12x1-Male, angled, 5-pole, A-coded	M12x1-Male, angled, 5-pole, A-coded	M12x1-Female, straight, 8-pole, A-coded
5	5	8
0.14...0.75 mm <sup>2</sup>	0.14...0.75 mm <sup>2</sup>	0.14...0.5 mm <sup>2</sup>
Screw terminals	Screw terminals	Screw terminals
4...6 mm	6...8 mm	6...8 mm
125 VDC / 125 VAC	125 VDC / 125 VAC	60 VDC / 60 VAC
4.0 A	4.0 A	2.0 A
IP67	IP67	IP67
-40...85 °C	-40...85 °C	-25...85 °C
cURus, EAC	cURus, EAC	cURus, EAC
Page 250	Page 250	Page 251



	<b>BCC04MC</b> BCC M478-0000-1A-000-43X834-000	
Connection	M12x1-Female, straight, 8-pole, A-coded	
Number of connectable contacts	8	
Connection cross-section	0.14...0.34 mm <sup>2</sup>	
Type of wire mounting	Insulation displacement connector technology	
Cable diameter D	4...8 mm	
Operating voltage U <sub>b</sub>	30 VDC / 30 VAC	
Rated current (40 °C)	1.75 A	
Protection degree	IP67	
Ambient temperature	-25...85 °C	
Approval/Conformity	EAC	
Productview	Page 251	



<b>BCC0A04</b> BCC M438-0000-2A-000-51X850-000	<b>BCC0HAH</b> BCC M478-0000-2A-000-41X850-000	<b>BCC04ME</b> BCC M488-0000-1A-000-43X834-000
M12x1-Male, straight, 8-pole, A-coded	M12x1-Male, straight, 8-pole, A-coded	M12x1-Female, angled, 8-pole, A-coded
8	8	8
0.14...0.5 mm <sup>2</sup>	0.14...0.5 mm <sup>2</sup>	0.14...0.34 mm <sup>2</sup>
Screw terminals	Screw terminals	Insulation displacement connector technology
6...8 mm	4...6 mm	4...8 mm
60 VDC / 60 VAC	30 VDC / 30 VAC	30 VDC / 30 VAC
2.0 A	2.0 A	1.75 A
IP67	IP67	IP67
-25...85 °C	-25...85 °C	-25...85 °C
cURus, EAC	EAC	EAC
Page 251	Page 251	Page 251



	<b>BCC0KR4</b> BCC M488-0000-2A-000-01X850-000	
Connection	M12x1-Male, angled, 8-pole, A-coded	
Number of connectable contacts	8	
Connection cross-section	0.14...0.5 mm <sup>2</sup>	
Type of wire mounting	Screw terminals	
Cable diameter D	5...8 mm	
Operating voltage U <sub>b</sub>	30 VDC / 30 VAC	
Rated current (40 °C)	2.0 A	
Protection degree	IP67	
Ambient temperature	-40...85 °C	
Approval/Conformity	EAC	
Productview	Page 251	





<b>BCC0A05</b> BCC M43C-0000-1A-000-54XC25-000	<b>BCC0A06</b> BCC M43C-0000-2A-000-54XC25-000	<b>BCC0715</b> BCC M475-0000-1B-000-01X575-000
M12x1-Female, straight, 12-pole, A-coded	M12x1-Male, straight, 12-pole, A-coded	M12x1-Female, straight, 5-pole, B-coded
12	12	5
0.14...0.25 mm <sup>2</sup>	0.14...0.25 mm <sup>2</sup>	0.14...0.75 mm <sup>2</sup>
Solder connections	Solder connections	Screw terminals
6...8 mm	6...8 mm	5...8 mm
30 VDC / 30 VAC	30 VDC / 30 VAC	250 VDC / 250 VAC
1.0 A	1.0 A	4.0 A
IP67	IP67	IP67
-25...85 °C	-25...85 °C	-25...85 °C
cURus, EAC	cURus, EAC	cURus, EAC
Page 251	Page 251	Page 252



	<b>BCC0714</b> BCC M475-0000-2B-000-01X575-000	
Connection	M12x1-Male, straight, 5-pole, B-coded	
Number of connectable contacts	5	
Connection cross-section	0.14...0.75 mm <sup>2</sup>	
Type of wire mounting	Screw terminals	
Cable diameter D	5...8 mm	
Operating voltage U <sub>b</sub>	250 VDC / 250 VAC	
Rated current (40 °C)	4.0 A	
Protection degree	IP67	
Ambient temperature	-25...85 °C	
Approval/Conformity	cURus, EAC	
Productview	Page 252	



<b>BCC0717</b> BCC M485-0000-1B-000-01X575-000	<b>BCC0716</b> BCC M485-0000-2B-000-01X575-000	<b>BCC03Y1</b> BCC M474-0000-1D-000-51X475-000
M12x1-Female, angled, 5-pole, B-coded	M12x1-Male, angled, 5-pole, B-coded	M12x1-Female, straight, 4-pole, D-coded
5	5	4
0.14...0.75 mm <sup>2</sup>	0.14...0.75 mm <sup>2</sup>	0.14...0.75 mm <sup>2</sup>
Screw terminals	Screw terminals	Screw terminals
5...8 mm	5...8 mm	5...8 mm
250 VDC / 250 VAC	250 VDC / 250 VAC	250 VDC / 250 VAC
4.0 A	4.0 A	4.0 A
IP67	IP67	IP67
-25...85 °C	-25...85 °C	-25...85 °C
cURus, EAC	cURus, EAC	cURus, EAC
Page 252	Page 252	Page 252



	<b>BCC03WZ</b> BCC M474-0000-2D-000-51X475-000	
Connection	M12x1-Male, straight, 4-pole, D-coded	
Number of connectable contacts	4	
Connection cross-section	0.14...0.75 mm <sup>2</sup>	
Type of wire mounting	Screw terminals	
Cable diameter D	5...8 mm	
Operating voltage U <sub>b</sub>	250 VDC / 250 VAC	
Rated current (40 °C)	4.0 A	
Protection degree	IP67	
Ambient temperature	-25...85 °C	
Approval/Conformity	cURus, EAC	
Productview	Page 252	



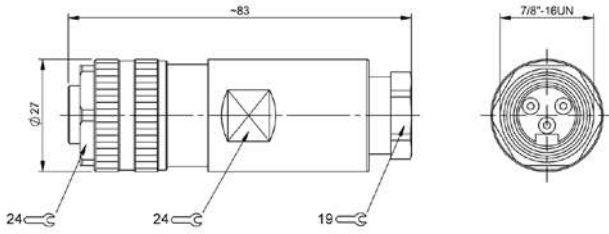
<b>BCC03Y2</b> BCC M484-0000-1D-000-51X475-000	<b>BCC03Y0</b> BCC M484-0000-2D-000-51X475-000	<b>BCCOHTL</b> BCC M478-0000-2X-000-E3X8T2-000
M12x1-Female, angled, 4-pole, D-coded	M12x1-Male, angled, 4-pole, D-coded	M12x1-Male, straight, 8-pole, X-coded
4	4	8
0.14...0.75 mm <sup>2</sup>	0.14...0.75 mm <sup>2</sup>	0.14...0.34 mm <sup>2</sup>
Screw terminals	Screw terminals	Insulation displacement connector technology
5...8 mm	5...8 mm	5.5...9 mm
250 VDC / 250 VAC	250 VDC / 250 VAC	60 VDC / 50 VAC
4.0 A	4.0 A	0.5 A
IP67	IP67	IP67
-25...85 °C	-25...85 °C	-40...85 °C
cURus, EAC	cURus, EAC	cULus, EAC
Page 252	Page 252	Page 252



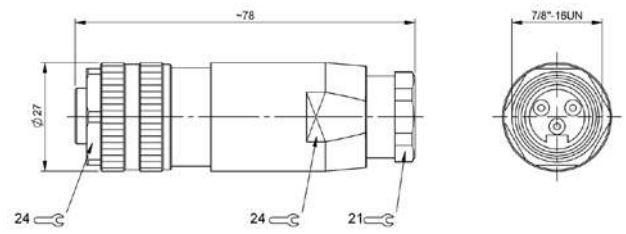
	<b>BCC00T</b> BKS-S 32M-00	
Connection	M16x0.75-Female, straight, 8-pole	
Number of connectable contacts	8	
Connection cross-section	0.14...0.75 mm <sup>2</sup>	
Type of wire mounting	Solder connections	
Cable diameter D	6...8 mm	
Operating voltage U <sub>b</sub>	60 VDC / 60 VAC	
Rated current (40 °C)	5.0 A	
Protection degree	IP67	
Ambient temperature	-40...95 °C	
Approval/Conformity	EAC	
Productview	Page 253	



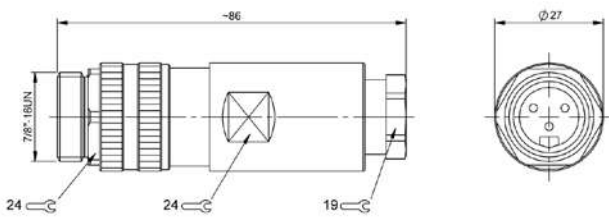
<b>BCC00UP</b> BKS-S 33M-00	<b>BCC06FH</b> BCC E834-0000-20-000-53X4T2-000	
M16x0.75-Female, angled, 8-pole	RJ45-Male, straight, 4-pole	
8	4	
0.14...0.75 mm <sup>2</sup>	0.2...0.34 mm <sup>2</sup>	
Solder connections	Insulation displacement connector technology	
6...8 mm	6.1...6.9 mm	
60 VDC / 60 VAC	125 VDC / 125 VAC	
5.0 A	1.0 A	
IP67	IP20	
-40...95 °C	-40...70 °C	
EAC	cURus, EAC	
Page 253	Page 253	



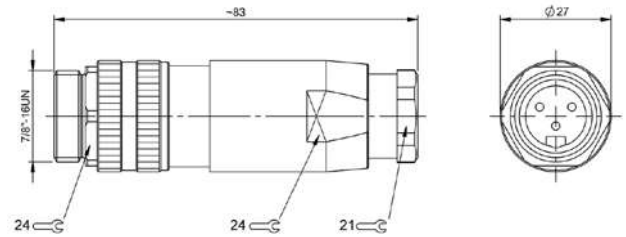
**BCC0AT9**



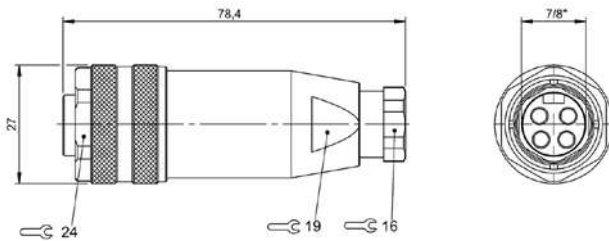
**BCC0ATA**



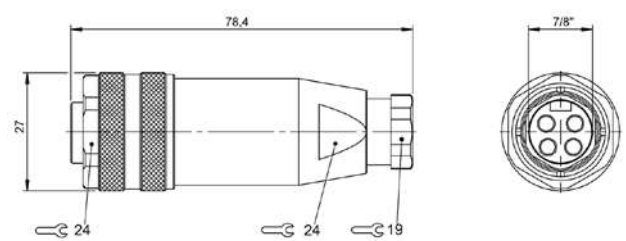
**BCC0ATC**



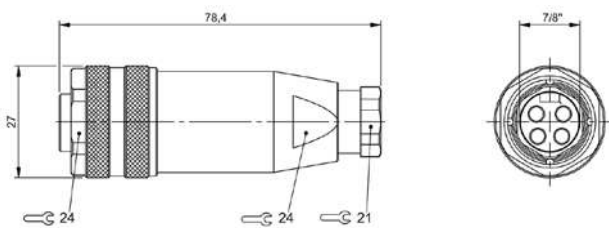
**BCC0ATE**



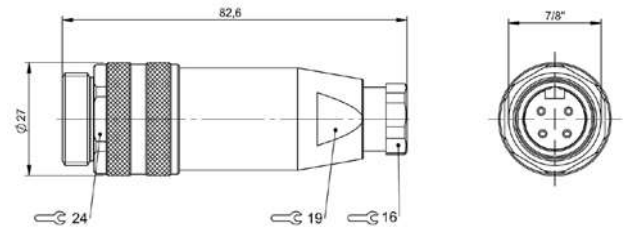
**BCC0706**



**BCC0707**

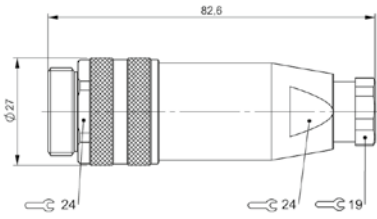


**BCC0708**

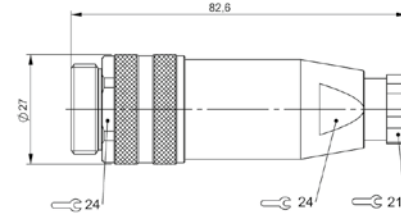
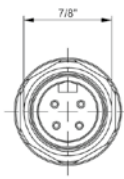


**BCC0709**

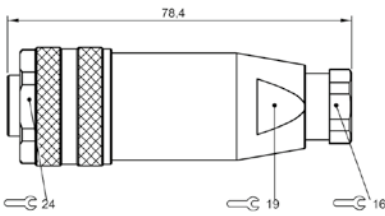




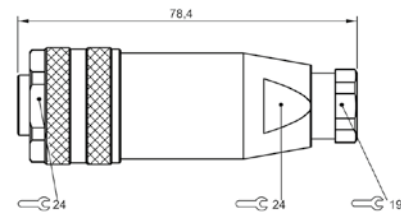
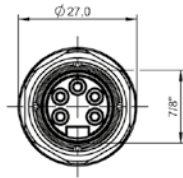
BCC070A



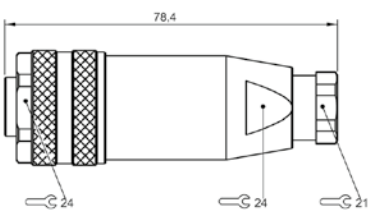
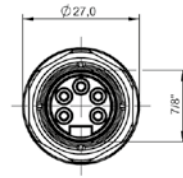
BCC070C



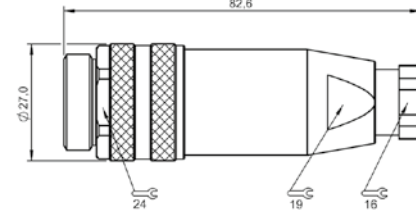
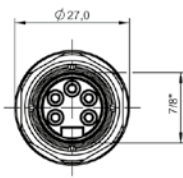
BCC070E



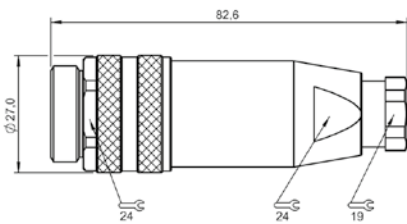
BCC070F



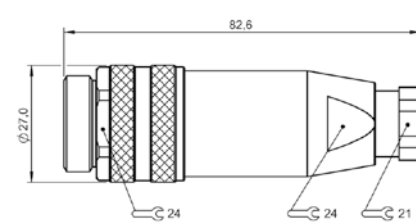
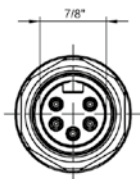
BCC070H, BCC0ATH



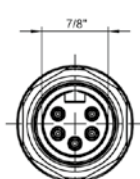
BCC070J



BCC070K



BCC070L, BCC0ATF



Sensors

RFID

Machine Vision and Optical Identification

Human Machine Interfaces

Safety

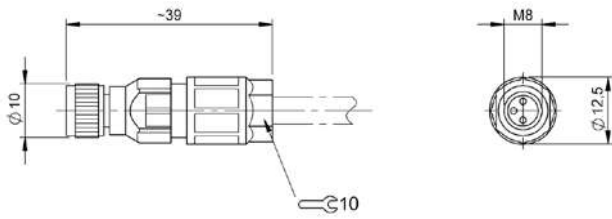
Industrial Networking

Software and System Solutions

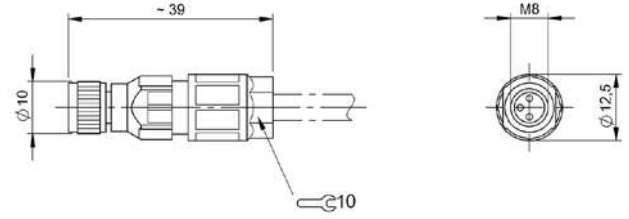
Power Supply

Connectivity

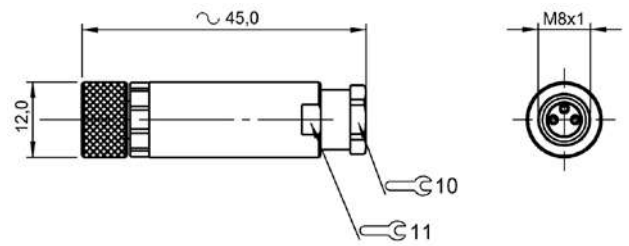
Accessories



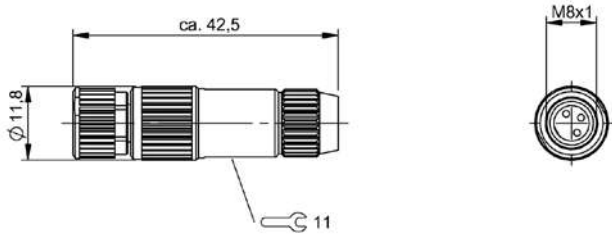
BCC0HLN



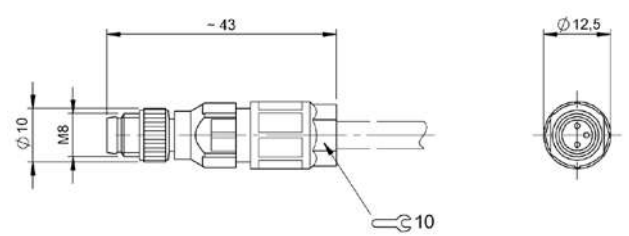
BCC0HLU



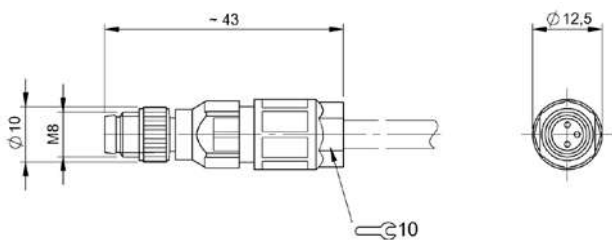
BCC06Z1



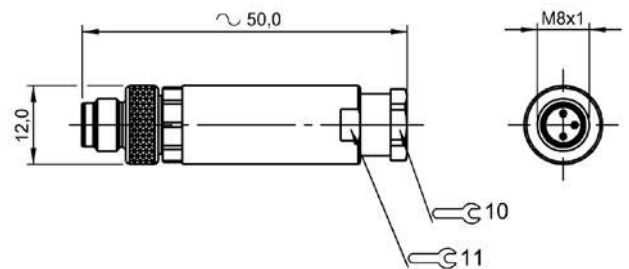
BCC02HC, BCC02HF



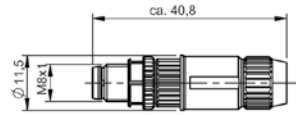
BCC0HLP



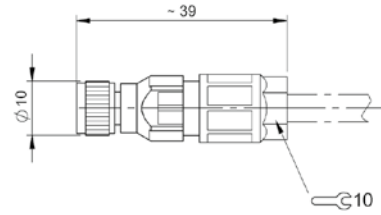
BCC0HLW



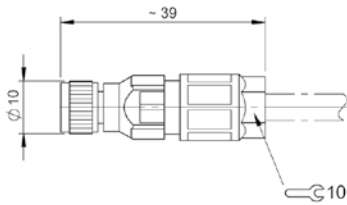
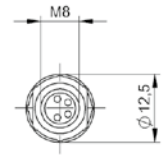
BCC0E7N



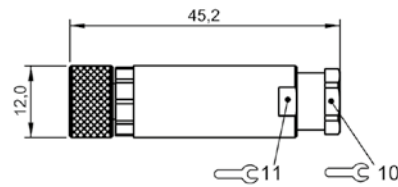
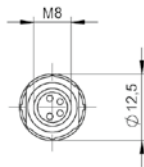
BCC02HE, BCC02HH



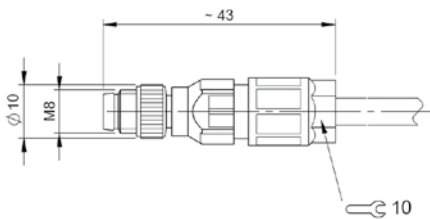
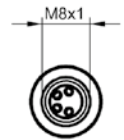
BCC0HLR



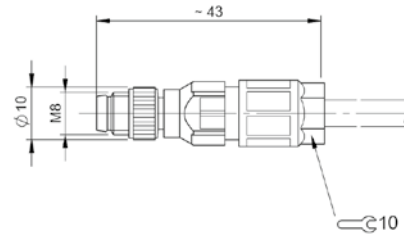
BCC0HLY



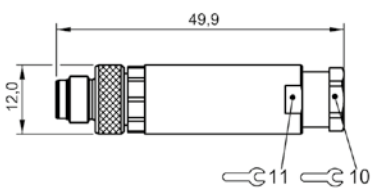
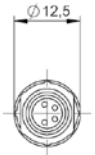
BCC06Z5



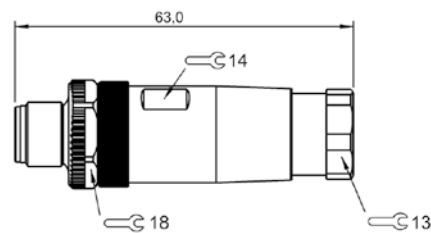
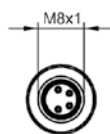
BCC0HLT



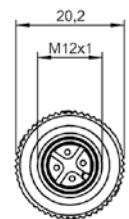
BCC0HLZ

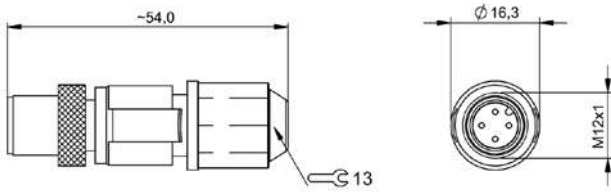


BCC06Z7

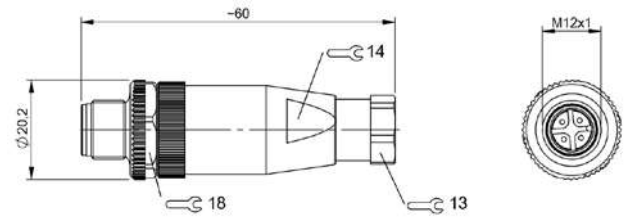


BCC06M4

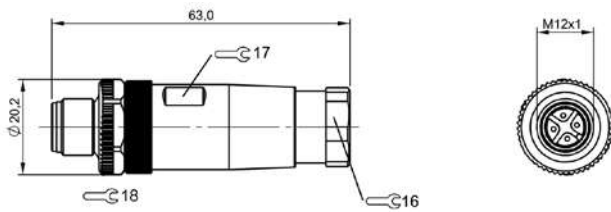




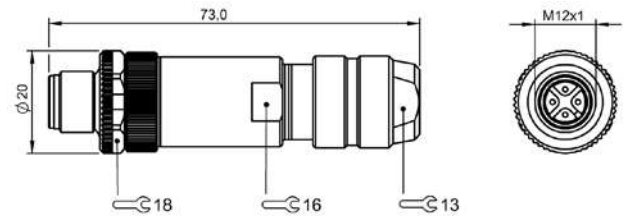
BCC08C0



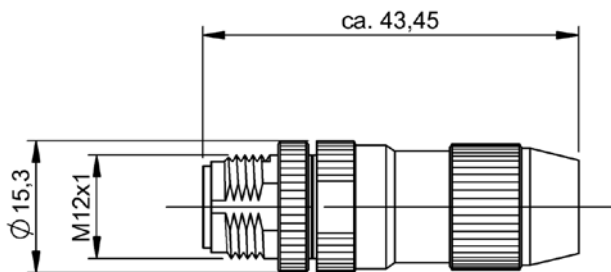
BCC0F9M



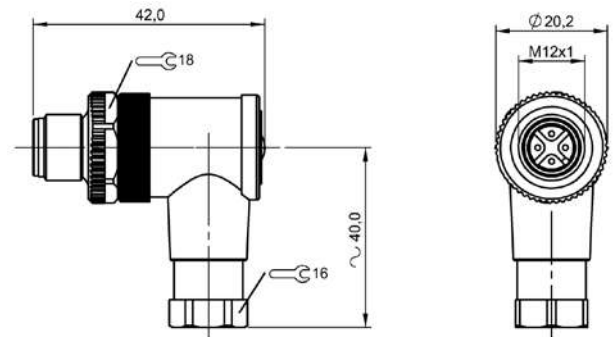
BCC06F7, BCC06Y5



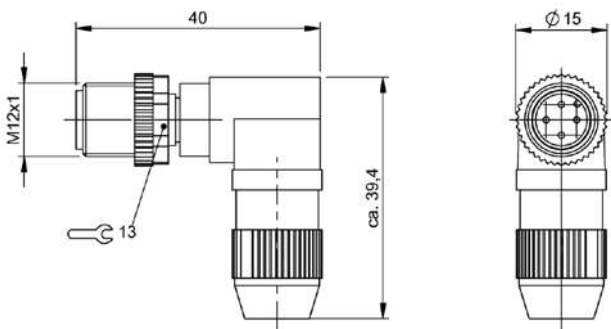
BCC0869



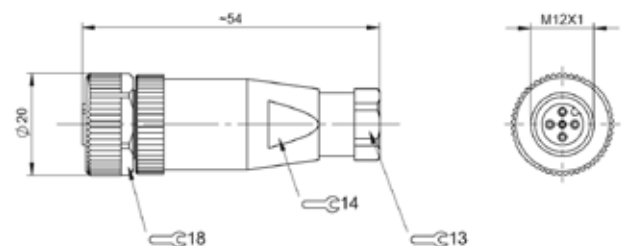
BCC02H9



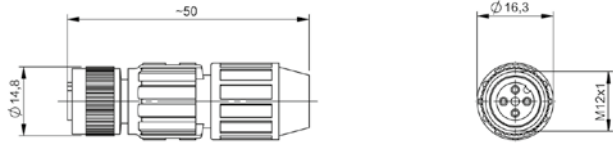
BCC06ZC, BCC06ZE



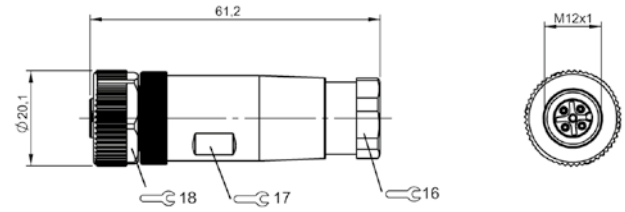
BCC02H7



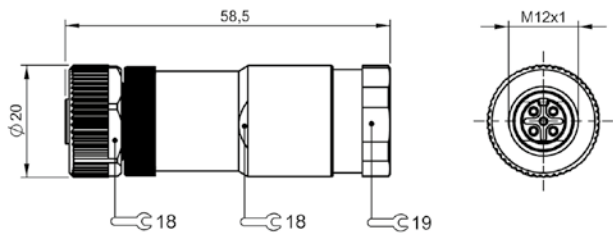
BCC06Z9, BCC06ZF, BCC0F9N



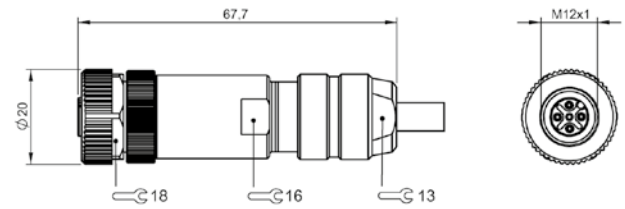
BCC06ZY



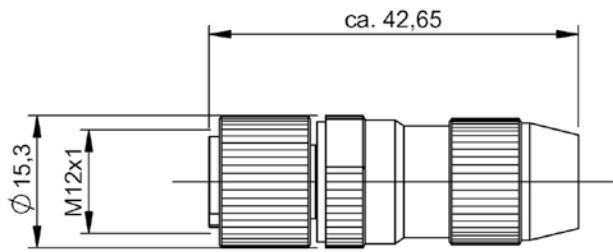
BCC06F6, BCC06W9, BCC06Y6



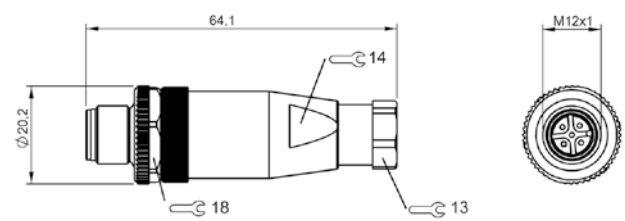
BCC09JP



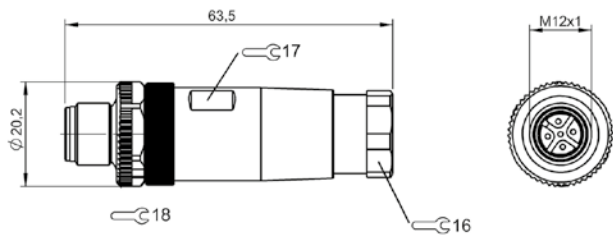
BCC06ZM, BCC06ZN



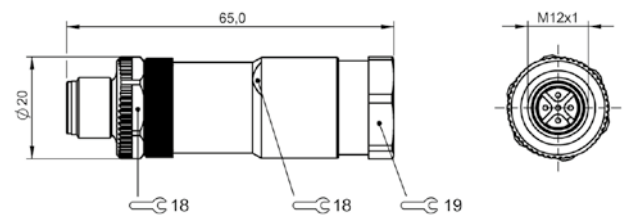
BCC02H8



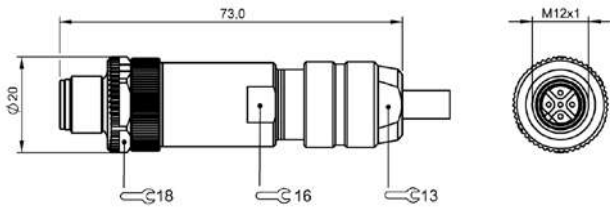
BCC06YA



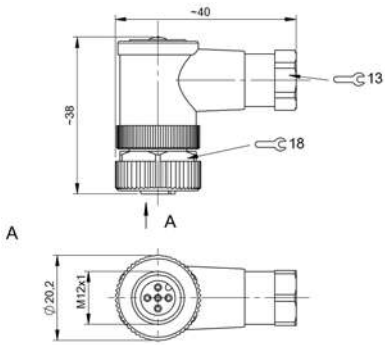
BCC06EY



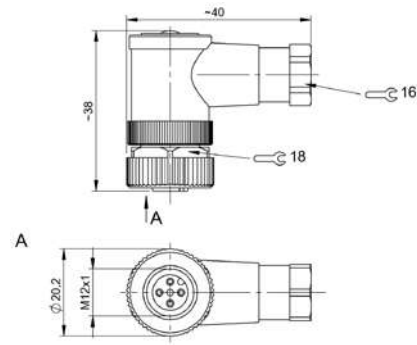
BCC09JW



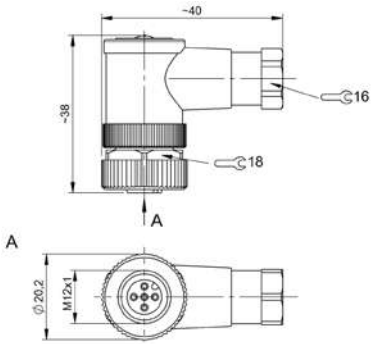
BCC086A



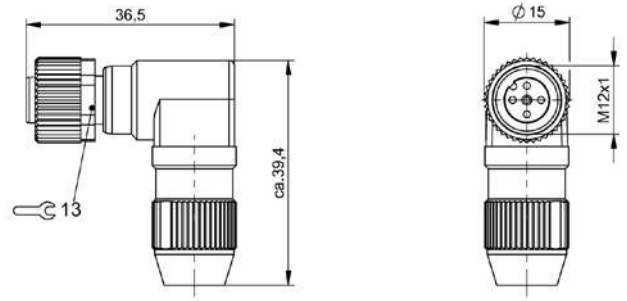
BCC06ZA



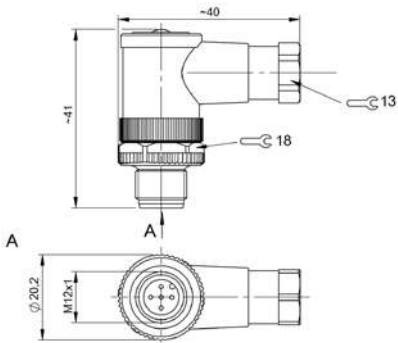
BCC06ZH



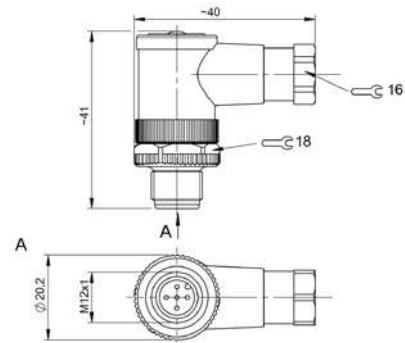
BCC06Y8



BCC06ZJ

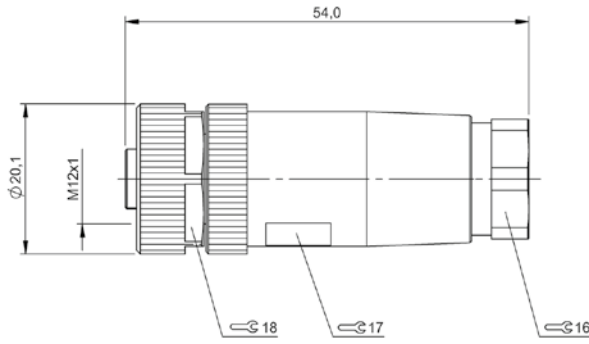


BCC02H6

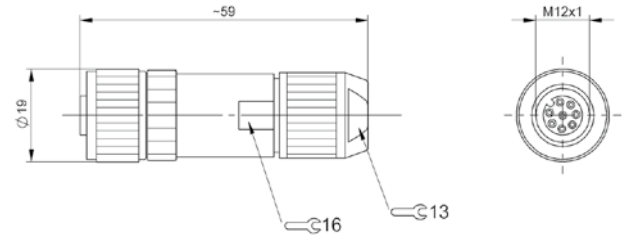


BCC06ZK

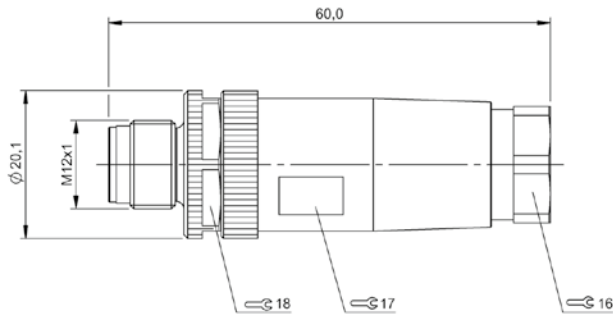
BCC06ZL



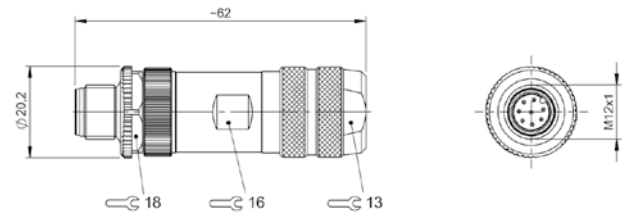
BCC0A03



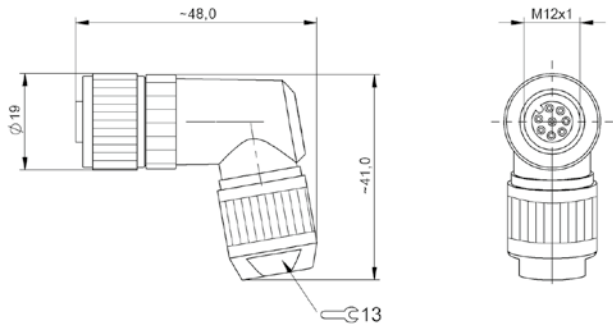
BCC04MC



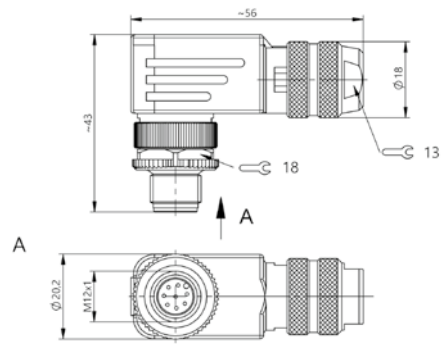
BCC0A04



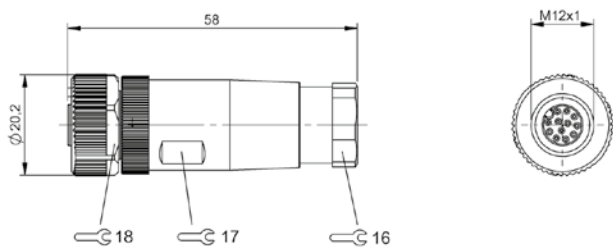
BCC0HAH



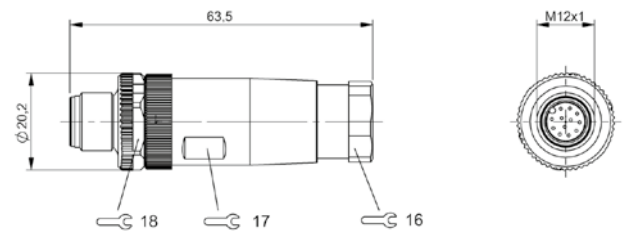
BCC04ME



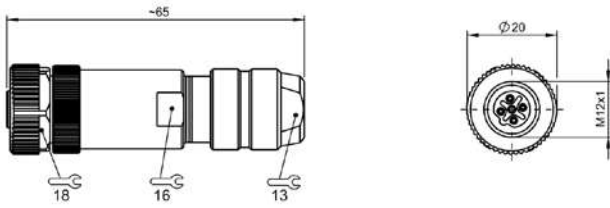
BCC0KR4



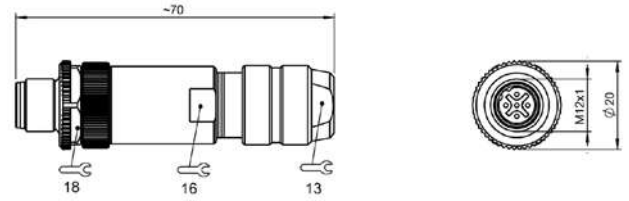
BCC0A05



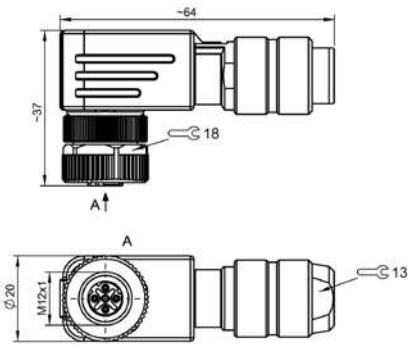
BCC0A06



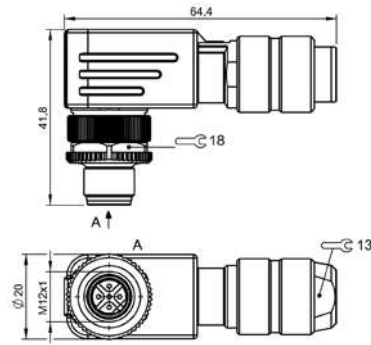
BCC0715



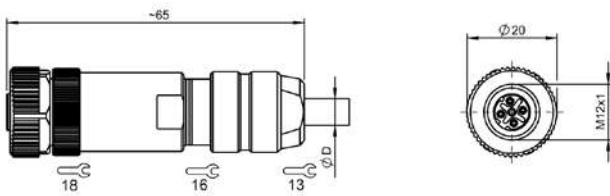
BCC0714



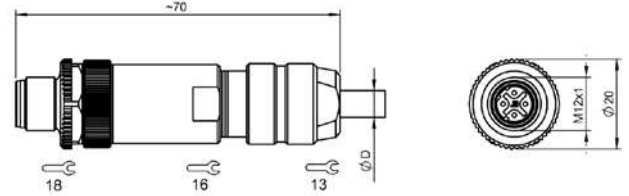
BCC0717, BCC03Y2



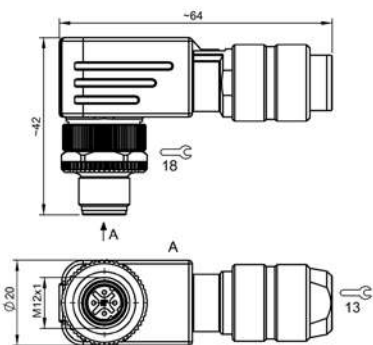
BCC0716



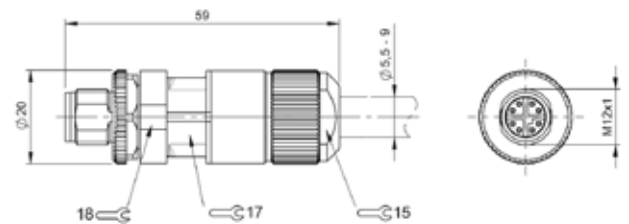
BCC03Y1



BCC03WZ

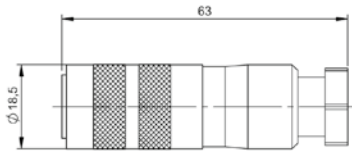


BCC03Y0

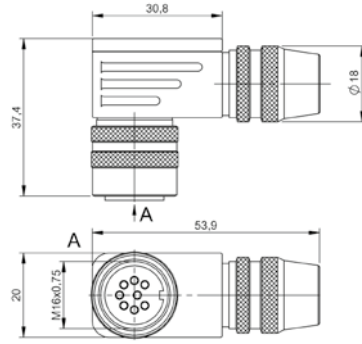
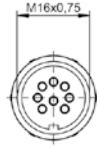


BCC0HTL

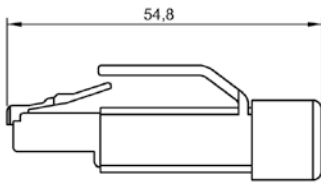




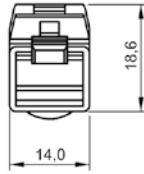
**BCC00TT**



**BCC00UP**



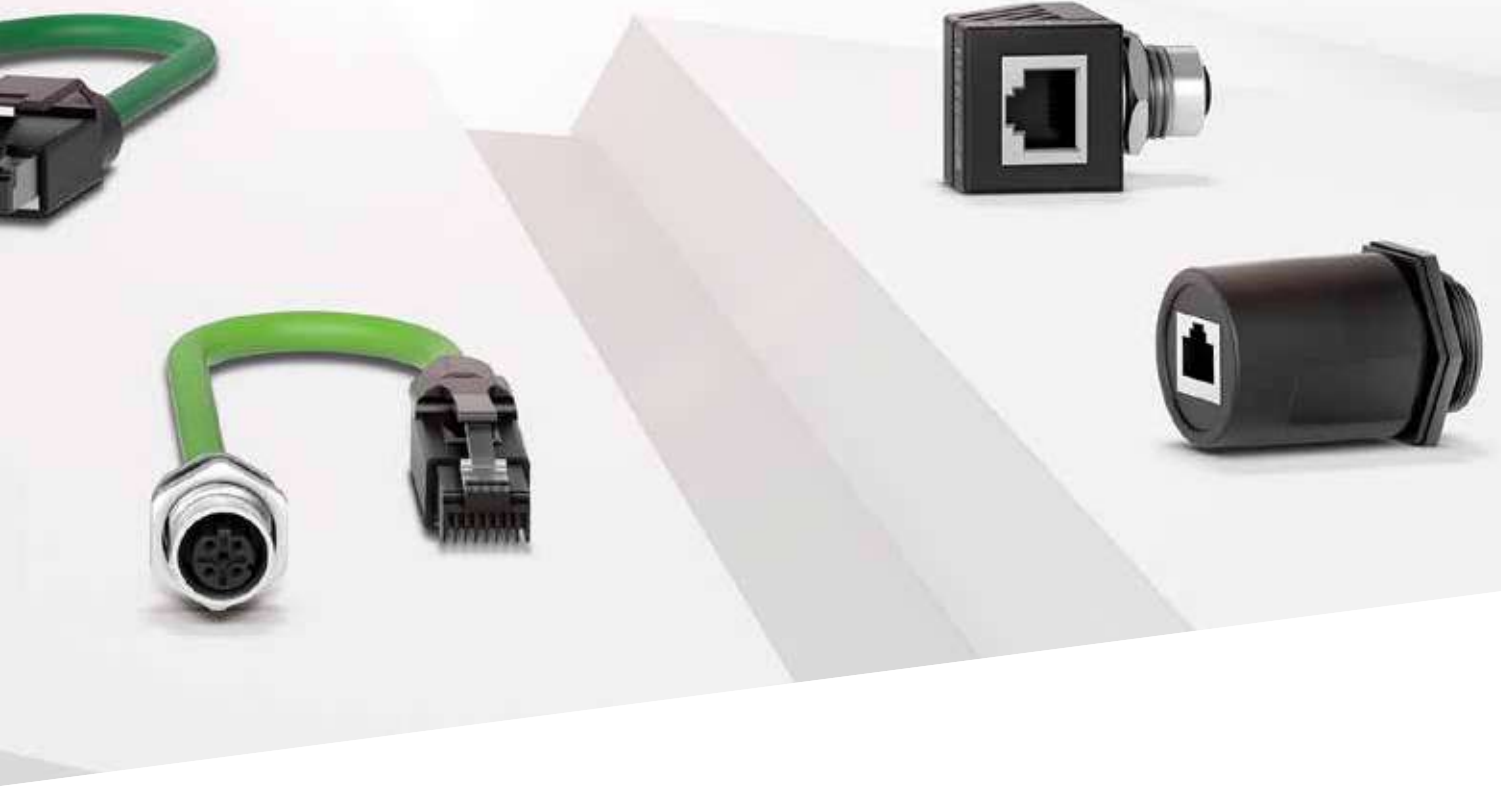
**BCC06FH**





Rugged for optimized connecting

# BULKHEADS



We offer you an extensive product range of bulkheads. Our plug connectors RJ45 and M12 (A-, B- and D-coded) in various designs are exceptionally robust, resistant to shock and vibration.

High dust and water protection and high-quality materials distinguish connectors from Balluff. They ensure a reliable and rapid connection through the control cabinet wall or other housings.

#### The most important benefits

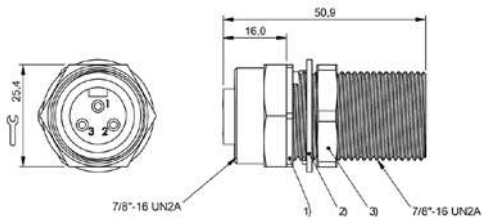
- High dust and water protection
- Extensive product range with various designs
- For reliable, fast connecting
- Robust and industrial grade
- High-quality materials



	<b>BCC0A7M</b> BCC A353-A353-30-RN036-000	<b>BCC0723</b> BCC A354-A354-30-RN011-000	
Connection 1	7/8"-Female, straight, 3-pole	7/8"-Female, straight, 4-pole	
Connection 2	7/8"-16 UN2A-Male, straight, 3-pole	7/8"-16 UN2A-Male, straight, 4-pole	
Mounting	7/8"-16UN2A	7/8"-16UN2A	
Operating voltage Ub	600 VDC / 600 VAC	600 VDC / 600 VAC	
Rated current (40 °C)	13.0 A	10.0 A	
Protection degree	IP67	IP67	
Ambient temperature	-40...105 °C	-40...105 °C	
Approval/Conformity	cULus, EAC	cULus, EAC	
Productview	Page 260	Page 260	

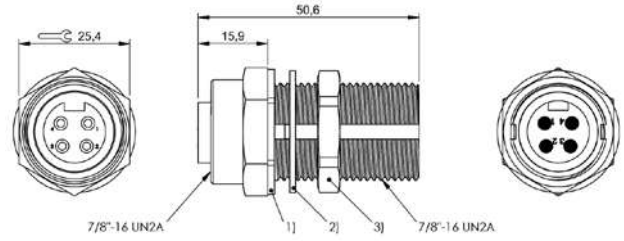


	<b>BCC0A7N</b> BCC A355-A355-30-RN037-000	<b>BCC06YP</b> BCC M454-M454-5D-RM002-000	<b>BCC085F</b> BCC M414-E814-BG-RM013-000	<b>BCC085H</b> BCC M424-E814-BG-RM013-000
	7/8"-Female, straight, 5-pole	M12x1-Female, straight, 4-pole, D-coded	M12x1-Female, straight, 4-pole, D-coded	M12x1-Female, angled, 4-pole, D-coded
	7/8"-16 UN2A-Male, straight, 5-pole	M12x1-Female, straight, 4-pole, D-coded	RJ45-Female, straight, 4-pole	RJ45-Female, straight, 4-pole
	7/8"-16UN2A	M16x1.5	M16x1.5	M16x1.5
	600 VDC / 600 VAC	60 VDC / 60 VAC	60 VDC / 60 VAC	60 VDC / 60 VAC
	8.0 A	4.0 A	0.5 A	0.5 A
	IP67	IP67/IP67	IP20	IP20
	-40...105 °C	-25...80 °C	-20...80 °C	-20...80 °C
	cULus, EAC	EAC	EAC	EAC
	Page 260	Page 260	Page 260	Page 260

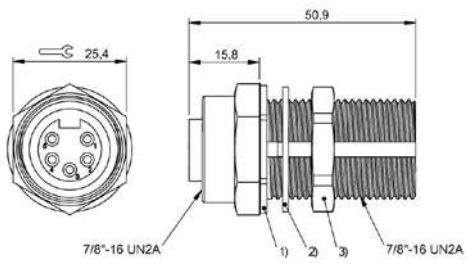


1) Locknut, 2) Washer, 3) O-ring

**BCC0A7M**

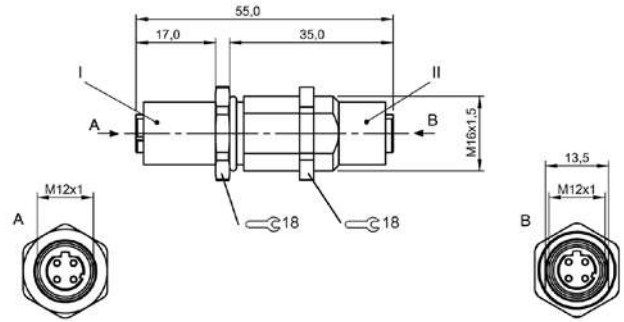


**BCC0723**

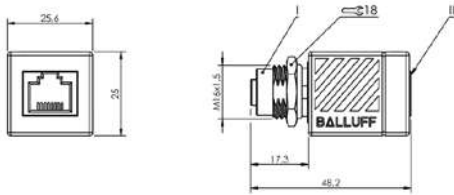


1) Locknut, 2) Washer, 3) O-ring

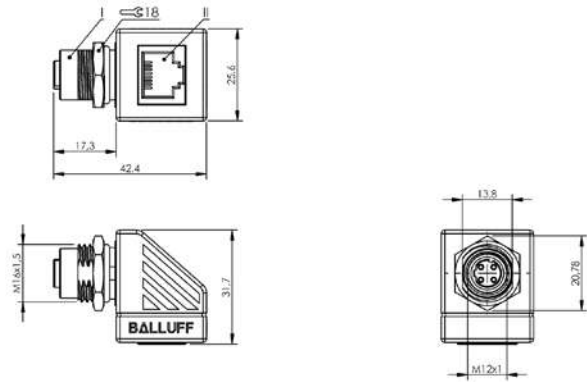
**BCC0A7N**



**BCC06YP**



**BCC085F**



**BCC085H**





Rugged for secure connections

# RECEPTACLES





With Balluff you can select from a wide, flexibly applicable product range of receptacles in M8 and M12 sizes. You can get the connectors in 3-, 4-, 5-, 8- and 12-pin versions. All connectors are made of rugged metal, comply with IP67 and are resistant to shock and vibration.

#### The most important benefits

- With socket and plug
- Robust metal designs
- Resistant to shocks and vibration
- High-quality materials
- Protection class IP67
- Different strand lengths available
- Wide range of products
- Flexible in application

Sensors

RFID

Machine Vision and  
Optical Identification

Human Machine  
Interfaces

Safety

Industrial Networking

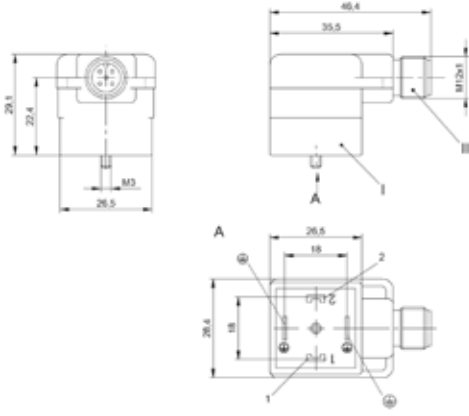
Software and  
System Solutions

Power Supply

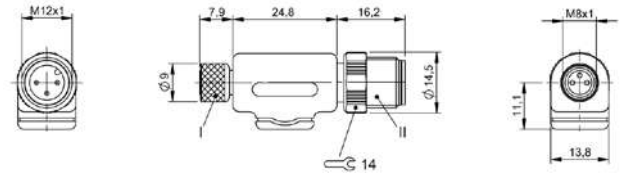
**Connectivity**

Accessories

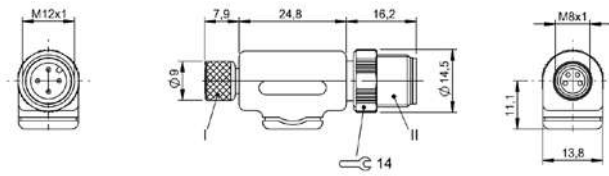
288 | Connectivity | Adapters



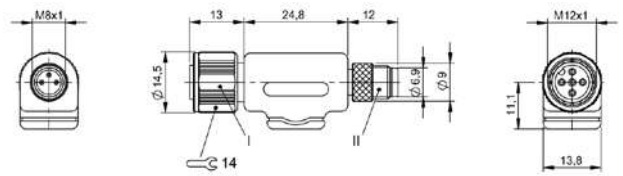
BCC0HKZ



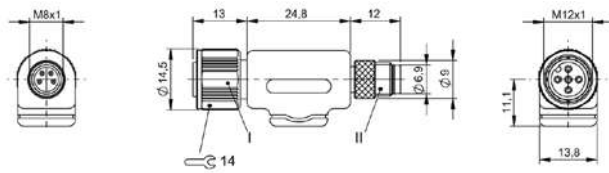
BCC0F47



BCC0F2Y



BCC0F2T



BCC0F2U





Matched to your bus system

# TERMINATING RESISTORS



At Balluff you will always find the right terminating resistor. This is because we offer terminating resistors for all standard commercial bus systems: Profibus, Devicenet and CC-Link. Our broad product range includes both standard and custom components.

Available in various form factors and in molded versions. All products are best suited for rugged use in the industrial environment. Rugged, noise-resistant and extremely reliable, they contribute to the high production quality of your systems.

#### The most important benefits

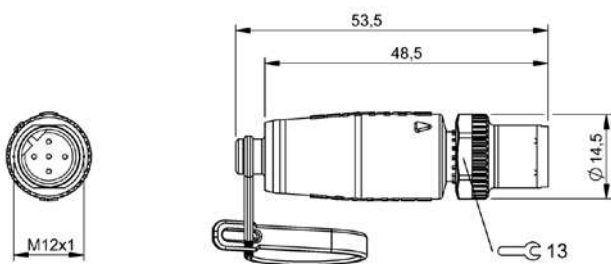
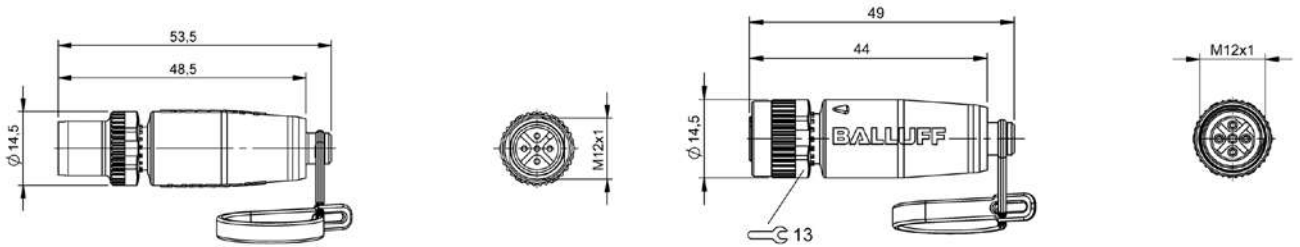
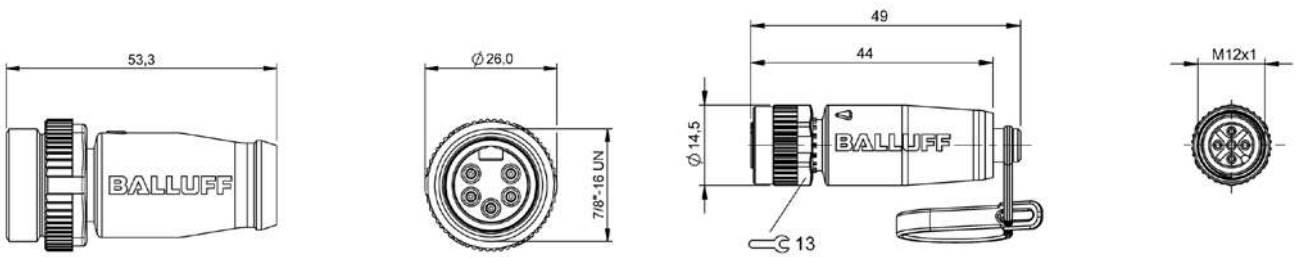
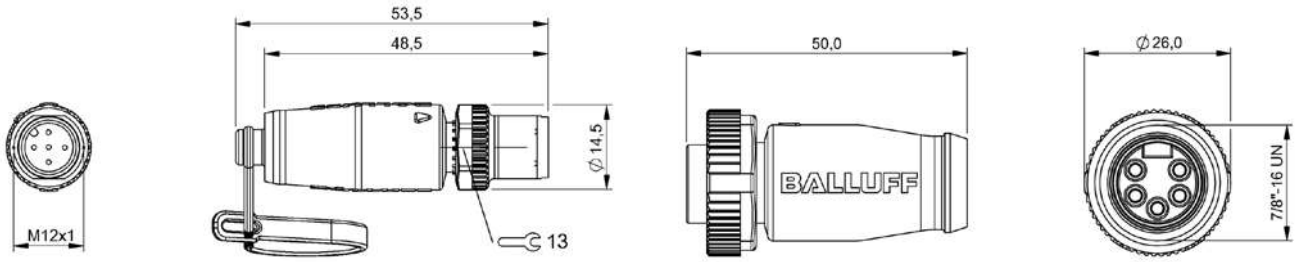
- Robust, immune to faults
- Resistant to shocks and vibration
- Industrial grade
- IP67, optionally IP68
- High-quality materials
- Reliable
- Various designs
- Suitable for all standard commercially available field bus systems
- Supports high manufacturing quality



	<b>BCC06Y4</b> BCC M415-0000-2A-R03	<b>BCC0A0A</b> BCC A315-0000-1A-R04	<b>BCC0A09</b> BCC A315-0000-2A-R04	
Interface	CC-Link	DeviceNet	DeviceNet	
Connection	M12x1-Male, straight, 5-pole, A-coded	7/8"-Female, straight, 5-pole	7/8"-Male, straight, 5-pole	
Function indicator	—	—	—	
Protection degree	IP68	IP68	IP68	
Ambient temperature	-20...80 °C	-20...80 °C	-20...80 °C	
Approval/Conformity	EAC	EAC	EAC	
Productview	Page 294	Page 294	Page 294	



<b>BCC0A08</b> BCC M415-0000-1A-R04	<b>BCC09MR</b> BCC M415-0000-2A-R04	<b>BCC0C6E</b> BCC M415-0000-1B-R01	<b>BCC0718</b> BCC M415-0000-2B-R01	
DeviceNet	DeviceNet	Profibus	Profibus	
M12x1-Female, straight, 5-pole, A-coded	M12x1-Male, straight, 5-pole, A-coded	M12x1-Female, straight, 5-pole, B-coded	M12x1-Male, straight, 5-pole, B-coded	
—	—	—	—	
IP68	IP68	IP68	IP68	
-40...90 °C	-40...90 °C	-40...90 °C	-20...80 °C	
EAC	EAC	EAC	EAC	
Page 294	Page 294	Page 294	Page 294	









Universal use,  
even under harsh conditions

# JUNCTION BLOCKS



Junction blocks from Balluff connect sensors and actuators to the controller. They are especially suited for all applications where coolants and lubricants are used and also are ideal for harsh conditions. The fully encapsulated housing offers a high degree of media resistance and an outstanding resistance to shock and vibrations.

#### The most important benefits

- Easy connections
- Low space requirements
- High media resistance and precision fit with metal screw inserts
- Flexible mounting options



		BPI 4M3 ...	
Connection		Cable	
Version		M8, 4x	
Rated voltage	No LED	60 V AC/DC	
	with LED	30 V DC	
Rated current, port		3 A	
Total current max.		8 A	
Degree of protection		IP67	
3-pin, no LED		BPI 4M3030-5K-B0-KPX60①-__ _②	
3-pin, PNP-LED		BPI 4M303P-5K-B0-KPX60①-__ _②	
3-pin, NPN-LED		-	
4-pin, no LED		BPI 4M3040-5K-B0-KPXA0①-__ _②	
4-pin, PNP-LED		BPI 4M304P-5K-B0-KPXA0①-__ _②	
4-pin, NPN-LED		-	
Approval/Conformity		CE, UL, EAC	
For drawing see page		312	



	BPI 6M3 ...	BPI 8M3 ...	BPI AM3 ...
	Cable	Cable	Cable
	M8, 6x	M8, 8x	M8, 10x
	60 V AC/DC	60 V AC/DC	60 V AC/DC
	30 V DC	30 V DC	30 V DC
	3 A	3 A	3 A
	8 A	8 A	8 A
	IP67	IP67	IP67
	BPI 6M3030-5K-B0-KPX80①-__②	BPI 8M3030-5K-B0-KPXA0①-__②	BPI AM3030-5K-B0-KPXC0①-__②
	BPI 6M303P-5K-B0-KPX80①-__②	BPI 8M303P-5K-B0-KPXA0①-__②	BPI AM303P-5K-B0-KPXC0①-__②
	-	-	-
	BPI 6M3040-5K-B0-KPX0①-__②	BPI 8M3040-5K-B0-KPXK0①-__②	BPI AM3040-5K-B0-KPXP0①-__②
	BPI 6M304P-5K-B0-KPX0①-__②	BPI 8M304P-5K-B0-KPXK0①-__②	BPI AM304P-5K-B0-KPXP0①-__②
	-	-	-
	CE, UL, EAC	CE, UL, EAC	CE, UL, EAC
	312, 313	313	314

①	Material	Color	Number of conductors x conductor cross-section	Cable temperature fixed in place	Cable temperature flexed
KPX60	PUR	Black	2 × 0.75 mm <sup>2</sup> 4 × 0.34 mm <sup>2</sup>	-25...+80 °C	-5...+80 °C
KPX80	PUR	Black	2 × 0.75 mm <sup>2</sup> 6 × 0.34 mm <sup>2</sup>	-25...+80 °C	-5...+80 °C
KPXA0	PUR	Black	2 × 0.75 mm <sup>2</sup> 8 × 0.34 mm <sup>2</sup>	-25...+80 °C	-5...+80 °C
KPXC0	PUR	Black	2 × 0.75 mm <sup>2</sup> 10 × 0.34 mm <sup>2</sup>	-25...+80 °C	-5...+80 °C
KPX0	PUR	Black	2 × 0.75 mm <sup>2</sup> 12 × 0.34 mm <sup>2</sup>	-25...+80 °C	-5...+80 °C
KPXK0	PUR	Black	2 × 0.75 mm <sup>2</sup> 16 × 0.34 mm <sup>2</sup>	-25...+80 °C	-5...+80 °C
KPXP0	PUR	Black	2 × 0.75 mm <sup>2</sup> 20 × 0.34 mm <sup>2</sup>	-25...+80 °C	-5...+80 °C

②	Cable length
030	3 m
050	5 m
100	10 m
150	15 m

Other cable lengths on request!



		BPI 4M3 ...	
Connection		Male, M12, 8-pin	
Version		M8, 4x	
Rated voltage	No LED	30 V AC/DC	
	with LED	30 V DC	
Rated current, port		2 A	
Total current max.		2 A	
Degree of protection		IP67	
Ambient temperature		-25...+80 °C	
3-pin, no LED		BPI 4M3030-5K-B0-SM48T	
3-pin, PNP-LED		BPI 4M303P-5K-B0-SM48T	
3-pin, NPN-LED		-	
4-pin, no LED		-	
4-pin, PNP-LED		-	
4-pin, NPN-LED		-	
Approval/Conformity		CE, UL, EAC	
For drawing see page		314	



	BPI 4M3 ...	BPI 6M3 ...	BPI 6M3 ...
	Male, M12, 12-pin	Male, M12, 8-pin	Male, M12, 12-pin
	M8, 4x	M8, 6x	M8, 6x
	30 V AC/DC	30 V AC/DC	30 V AC/DC
	30 V DC	30 V DC	30 V DC
	1.5 A	2 A	1.5 A
	1.5 A	2 A	1.5 A
	IP67	IP67	IP67
	-25...+80 °C	-25...+80 °C	-25...+80 °C
	BPI 4M3030-5K-B0-SM4CT	BPI 6M3030-5K-B0-SM48T	BPI 6M3030-5K-B0-SM4CT
	BPI 4M303P-5K-B0-SM4CT	BPI 6M303P-5K-B0-SM48T	BPI 6M303P-5K-B0-SM4CT
	-	-	-
	BPI 4M3040-5K-B0-SM4CT	-	-
	BPI 4M304P-5K-B0-SM4CT	-	-
	-	-	-
	CE, UL, EAC	CE, UL, EAC	CE, UL, EAC
	314	315	316

Connection		
Version		
Rated voltage	No LED	
	with LED	
Rated current, port		
Total current max.		
Degree of protection		
Ambient temperature		
3-pin, no LED		
3-pin, PNP-LED		
3-pin, NPN-LED		
Approval/Conformity		
For drawing see page		





	BPI 8M3 ...	BPI AM3 ...
	Male, M12, 12-pin	Male, M12, 12-pin
	M8, 8x	M8, 10x
	30 V AC/DC	30 V AC/DC
	30 V DC	30 V DC
	1.5 A	1.5 A
	1.5 A	1.5 A
	IP67	IP67
	-25...+80 °C	-25...+80 °C
	BPI 8M3030-5K-B0-SM4CT	BPI AM3030-5K-B0-SM4CT
	BPI 8M303P-5K-B0-SM4CT	BPI AM303P-5K-B0-SM4CT
	-	-
	CE, UL, EAC	CE, UL, EAC
	316	316

Connection	
Version	
Rated voltage	No LED
	with LED
Rated current, port	
Total current max.	
Degree of protection	
3-pin + PE, no LED	
3-pin + PE, PNP-LED	
3-pin + PE, NPN-LED	
4-pin + PE, no LED	
4-pin + PE, PNP-LED	
4-pin + PE, NPN-LED	
Approval/Conformity	
For drawing see page	



BPI 4M4 ...	BPI 8M4 ...
Cable	Cable
M12, 4x	M12, 8x
60 V AC/DC	60 V AC/DC
30 V DC	30 V DC
4 A	4 A
8 A	8 A
IP67	IP67
BPI 4M4A40-2K-B0-KPX70①-__ _②	BPI 8M4A40-2K-B0-KPXB0①-__ _②
BPI 4M4A4P-2K-B0-KPX70①-__ _②	BPI 8M4A4P-2K-B0-KPXB0①-__ _②
-	-
BPI 4M4A50-2K-B0-KPXB0①-__ _②	BPI 8M4A50-2K-B0-KPXL0①-__ _②
BPI 4M4A5P-2K-B0-KPXB0①-__ _②	BPI 8M4A5P-2K-B0-KPXL0①-__ _②
-f	-
CE, UL, EAC	CE, UL, EAC
317	317

①	Material	Color	Number of conductors x conductor cross-section	Cable temperature fixed in place	Cable temperature flexed
KPX70	PUR	Black	3 × 1.0 mm <sup>2</sup> 4 × 0.34 mm <sup>2</sup>	-25...+80 °C	-5...+80 °C
KPXB0	PUR	Black	3 × 1.0 mm <sup>2</sup> 8 × 0.34 mm <sup>2</sup>	-25...+80 °C	-5...+80 °C
KPXL0	PUR	Black	3 × 1.0 mm <sup>2</sup> 19 × 0.34 mm <sup>2</sup>	-25...+80 °C	-5...+80 °C

②	Cable length
030	3 m
050	5 m
100	10 m
150	15 m

Other cable lengths on request!



		BPI 4M4 ...	
Connection		Male, M23, 12-pin	
Version		M12, 4x	
Rated voltage	No LED	60 V AC/DC	
	with LED	30 V DC	
Rated current, port		4 A	
Total current max.		8 A	
Degree of protection		IP67	
Ambient temperature		-25...+80 °C	
3-pin + PE, no LED		BPI 4M4A40-2K-B0-SM6CT	
3-pin + PE, PNP-LED		BPI 4M4A4P-2K-B0-SM6CT	
3-pin + PE, NPN-LED		-	
4-pin + PE, no LED		-	
4-pin + PE, PNP-LED		-	
4-pin + PE, NPN-LED		-	
Approval/Conformity		CE, UL, EAC	
For drawing see page		317	



	BPI 4M4 ...	BPI 8M4 ...	BPI 8M4 ...
	Male, M23, 19-pin	Male, M23, 12-pin	Male, M23, 19-pin
	M12, 4x	M12, 8x	M12, 8x
	60 V AC/DC	60 V AC/DC	60 V AC/DC
	30 V DC	30 V DC	30 V DC
	4 A	4 A	4 A
	8 A	8 A	8 A
	IP67	IP67	IP67
	-25...+80 °C	-25...+80 °C	-25...+80 °C
	-	BPI 8M4A40-2K-B0-SM6CT	-
	-	BPI 8M4A4P-2K-B0-SM6CT	-
	-	-	-
	BPI 4M4A50-2K-B0-SM6LT	-	BPI 8M4A50-2K-B0-SM6LT
	BPI 4M4A5P-2K-B0-SM6LT	-	BPI 8M4A5P-2K-B0-SM6LT
	-	-	-
	CE, UL, EAC	CE, UL, EAC	CE, UL, EAC
	318	318	318

Connection	
Version	
Rated voltage	
Rated current, port	
Total current max.	
Degree of protection	
Ambient temperature	
3-pin with PE, PNP-LED	
4-pin with PE, PNP-LED	
Approval/Conformity	
For drawing see page	



	BPI 4M4 ...	BPI 8M4 ...
	Hood	Hood
	M12, 4x	M12, 8x
	30 V DC	30 V DC
	4 A	4 A
	8 A	8 A
	IP67	IP67
	-25...+80 °C	-25...+80 °C
	BPI 4M4A4P-2K-00-TPS9	BPI 8M4A4P-2K-00-TPSE
	BPI 4M4A5P-2K-00-TPSG	BPI 8M4A5P-2K-00-TPSN
	CE, EAC	CE, EAC
	319	319



	BPI 4M4 ...	BPI XXXX ...	
Connection	Hood	Hood with cable for base module without hood	
Version	M12, 4x	4-way	
Rated voltage	30 V DC	–	
Rated current, port	4 A	–	
Total current max.	8 A	–	
Degree of protection	IP67	–	
Ambient temperature	–25...+80 °C	–	
3-pin with PE, PNP-LED	BPI 4M4A4P-2K-00-TP09	–	
4-pin with PE, PNP-LED	BPI 4M4A5P-2K-00-TP0G	–	
3-pin with PE, no potential isolation	–	BPI T009-K-00-KPX70①-__ _②	
4-pin with PE, no potential isolation	–	BPI T00G-K-00-KPXB0①-__ _②	
4-pin with PE, with potential isolation	–	BPI T00G-K-00-KPXD0①-__ _②	
Universal	–	–	
Approval/Conformity	CE, EAC	CE, EAC	
For drawing see page	319	320	





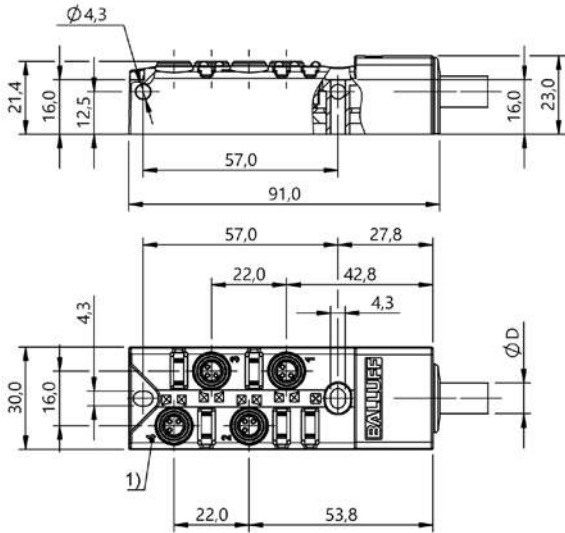
BPI 8M4 ...	BPI XXX ...	BPI XXX ...
Hood	Hood with cable for base module without hood	Hood without cable for base module without hood
M12, 8x	8-way	Universal
30 V DC	–	–
4 A	–	–
8 A	–	–
IP67	–	–
–25...+80 °C	–	–
BPI 8M4A4P-2K-00-TP0E	–	–
BPI 8M4A5P-2K-00-TP0N	–	–
–	BPI T00E-K-00-KPXB0①-__ _②	–
–	BPI T00N-K-00-KPXL0①-__ _②	–
–	BPI T00N-K-00-KPXN0①-__ _②	–
–	–	BPI T0SN-K-00
CE, EAC	CE, EAC	CE, EAC
320	320	320

①	Material	Color	Number of conductors × conductor cross-section	Cable temperature fixed in place	Cable temperature flexed
KPX70	PUR	Black	3 × 1.0 mm <sup>2</sup> 4 × 0.34 mm <sup>2</sup>	–25...+80 °C	–5...+80 °C
KPXB0	PUR	Black	3 × 1.0 mm <sup>2</sup> 8 × 0.34 mm <sup>2</sup>	–25...+80 °C	–5...+80 °C
KPXL0	PUR	Black	3 × 1.0 mm <sup>2</sup> 19 × 0.34 mm <sup>2</sup>	–25...+80 °C	–5...+80 °C
KPXD0	PUR	Black	5 × 1.0 mm <sup>2</sup> 8 × 0.34 mm <sup>2</sup>	–25...+80 °C	–5...+80 °C
KPXN0	PUR	Black	5 × 1.0 mm <sup>2</sup> 19 × 0.34 mm <sup>2</sup>	–25...+80 °C	–5...+80 °C

②	Cable length
030	3 m
050	5 m
100	10 m
150	15 m

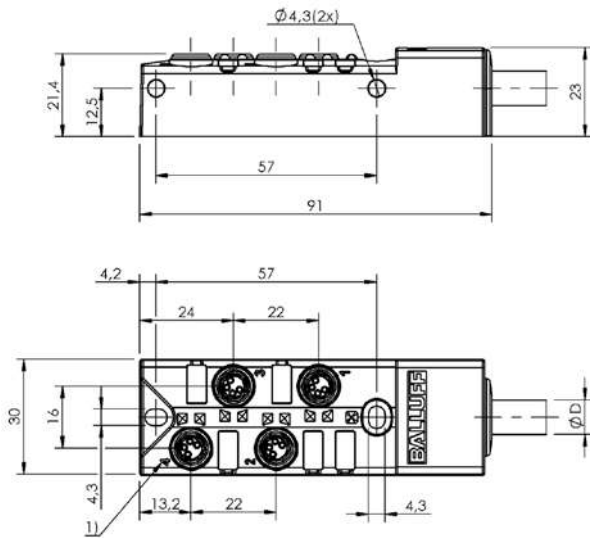
Other cable lengths on request!

312 | Connectivity | Junction Blocks



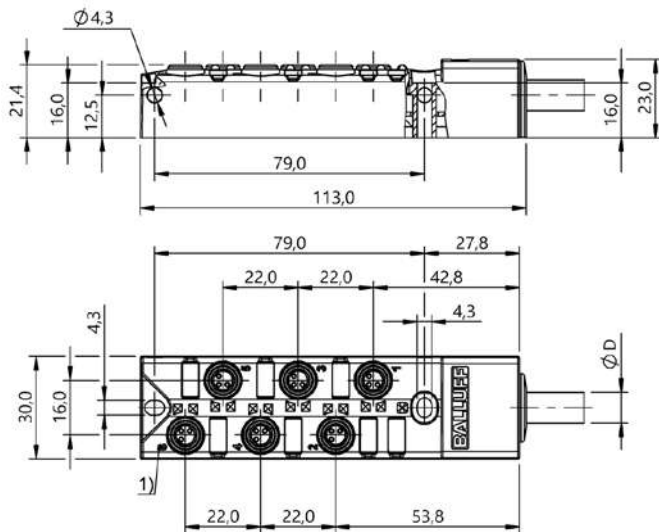
1) Slot numbering

**BPI 4M3030-5K-B0-KPX60-...**  
**BPI 4M303P-5K-B0-KPX60-...**  
**BPI 4M303N-5K-B0-KPX60-...**



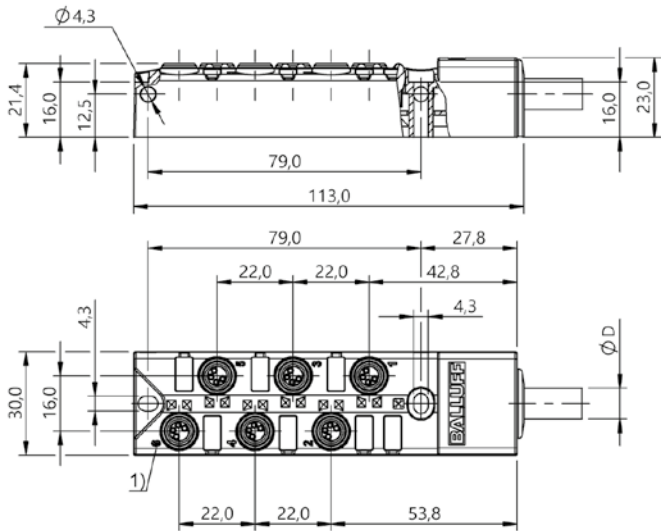
1) Slot numbering

**BPI 4M3040-5K-B0-KPXA0-...**  
**BPI 4M304P-5K-B0-KPXA0-...**  
**BPI 4M304N-5K-B0-KPXA0-...**



1) Slot numbering

**BPI 6M3030-5K-B0-KPX80-...**  
**BPI 6M303P-5K-B0-KPX80-...**  
**BPI 6M303N-5K-B0-KPX80-...**

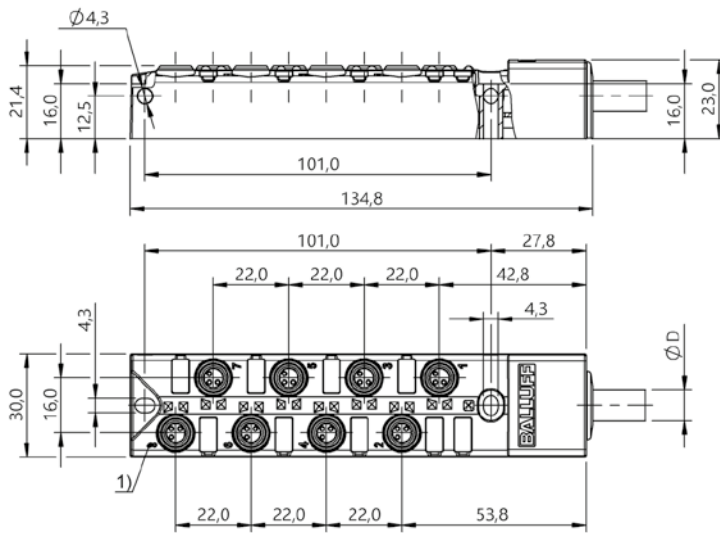


1) Slot numbering

**BPI 6M3040-5K-B0-KPXE0...**

**BPI 6M304P-5K-B0-KPXE0...**

**BPI 6M304N-5K-B0-KPXE0...**

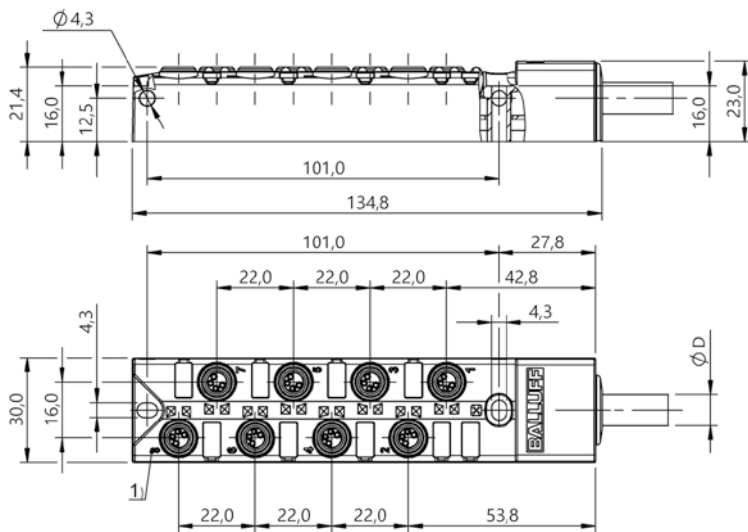


1) Slot numbering

**BPI 8M3030-5K-B0-KPXA0...**

**BPI 8M303P-5K-B0-KPXA0...**

**BPI 8M303N-5K-B0-KPXA0...**

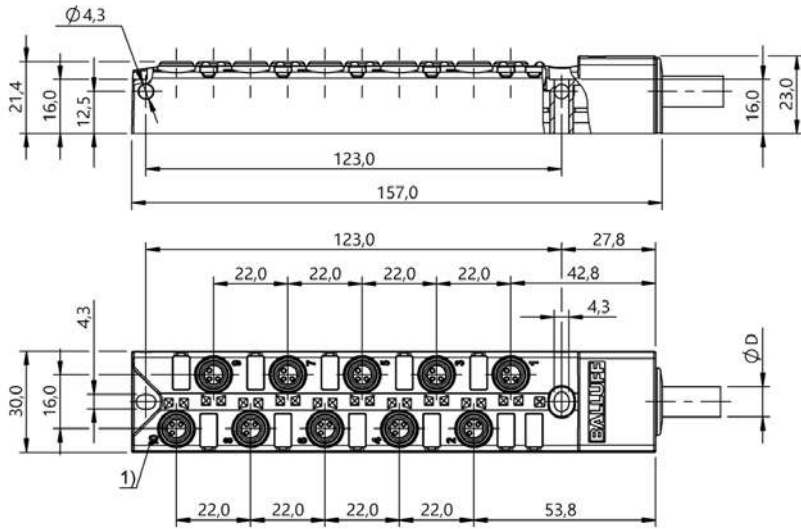


1) Slot numbering

**BPI 8M3040-5K-B0-KPXX0...**

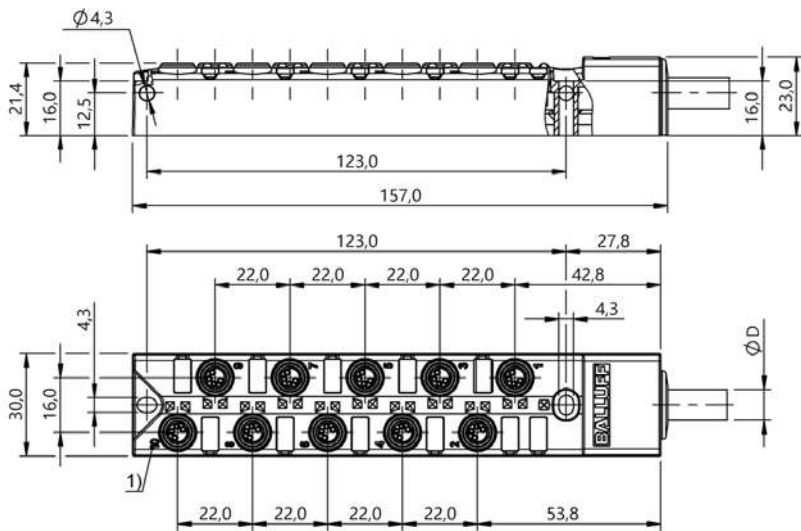
**BPI 8M304P-5K-B0-KPXX0...**

**BPI 8M304N-5K-B0-KPXX0...**



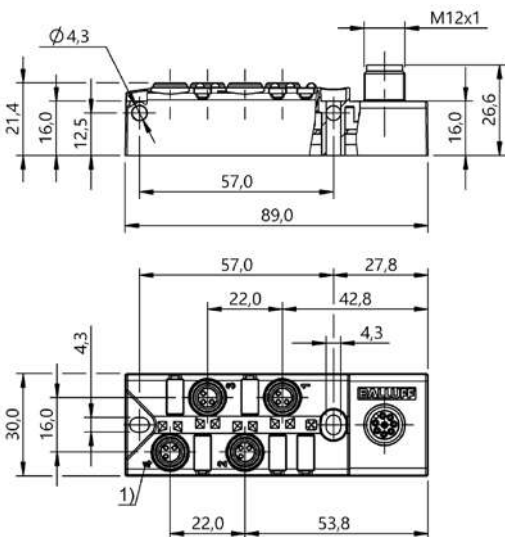
1) Slot numbering

**BPI AM3030-5K-B0-KPXC0-...**  
**BPI AM303P-5K-B0-KPXC0-...**  
**BPI AM303N-5K-B0-KPXC0-...**



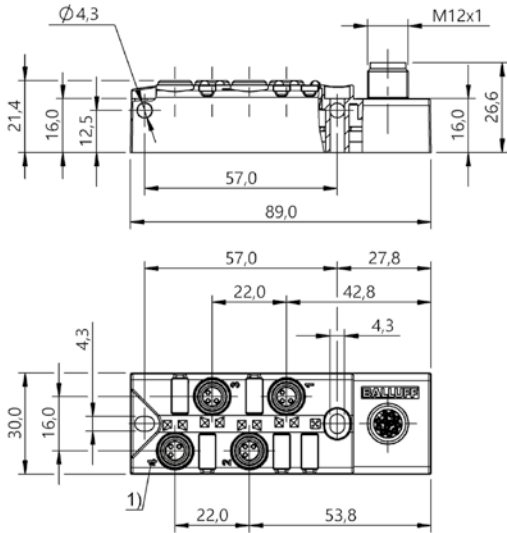
1) Slot numbering

**BPI AM3040-5K-B0-KPXP0-...**  
**BPI AM304P-5K-B0-KPXP0-...**  
**BPI AM304N-5K-B0-KPXP0-...**



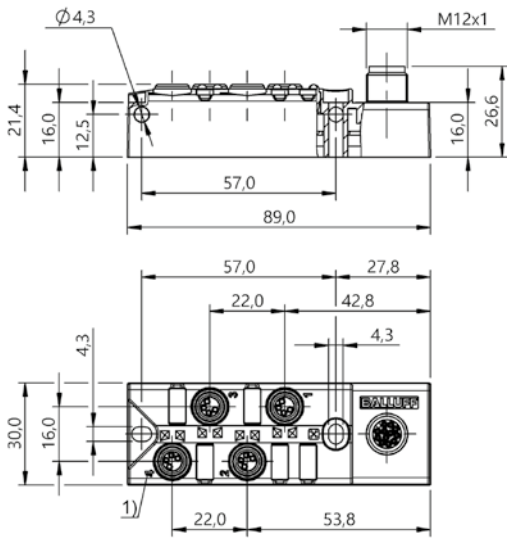
1) Slot numbering

**BPI 4M3030-5K-B0-SM48T**  
**BPI 4M303P-5K-B0-SM48T**



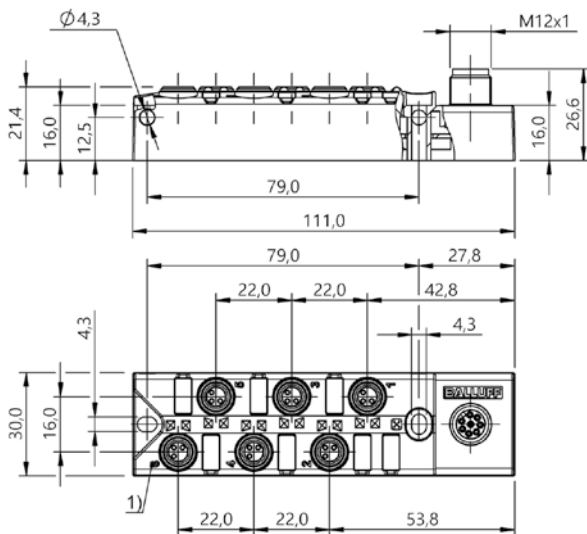
1) Slot numbering

**BPI 4M3030-5K-B0-SM4CT**  
**BPI 4M303P-5K-B0-SM4CT**



1) Slot numbering

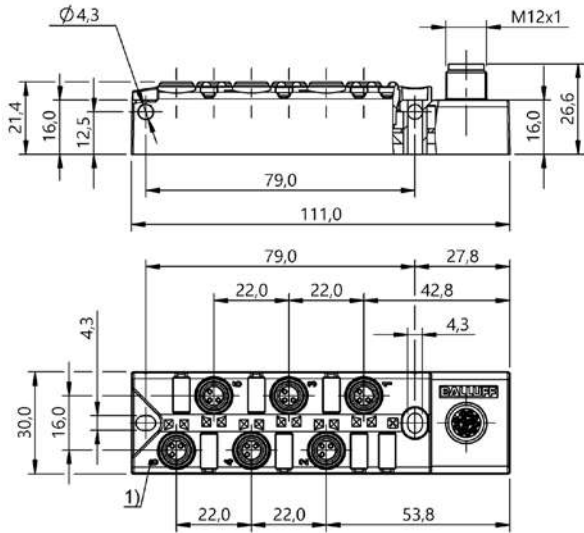
**BPI 4M3040-5K-B0-SM4CT**  
**BPI 4M304P-5K-B0-SM4CT**



1) Slot numbering

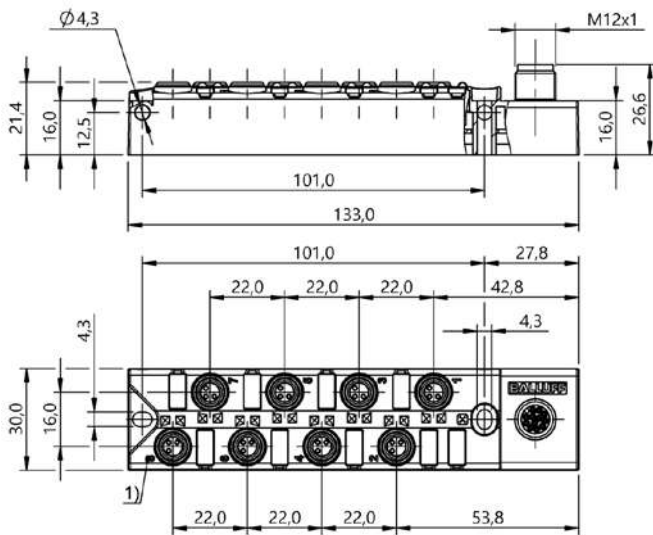
**BPI 6M3030-5K-B0-SM48T**  
**BPI 6M303P-5K-B0-SM48T**

316 | Connectivity | Junction Blocks



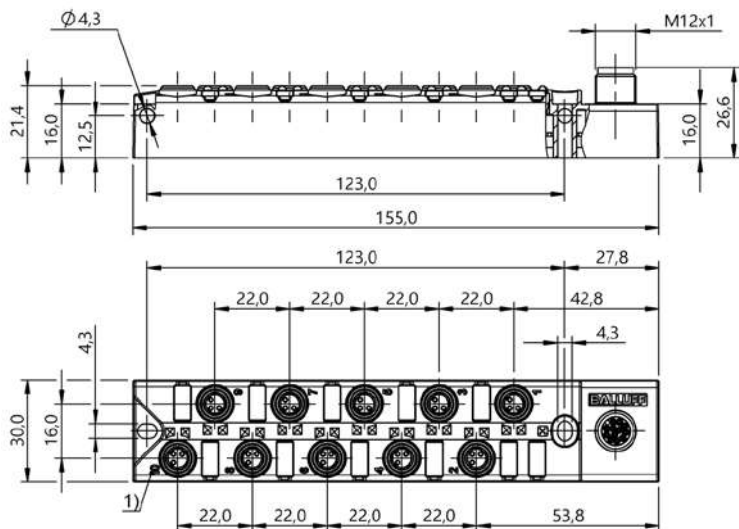
1) Slot numbering

**BPI 6M3030-5K-B0-SM4CT**  
**BPI 6M303P-5K-B0-SM4CT**



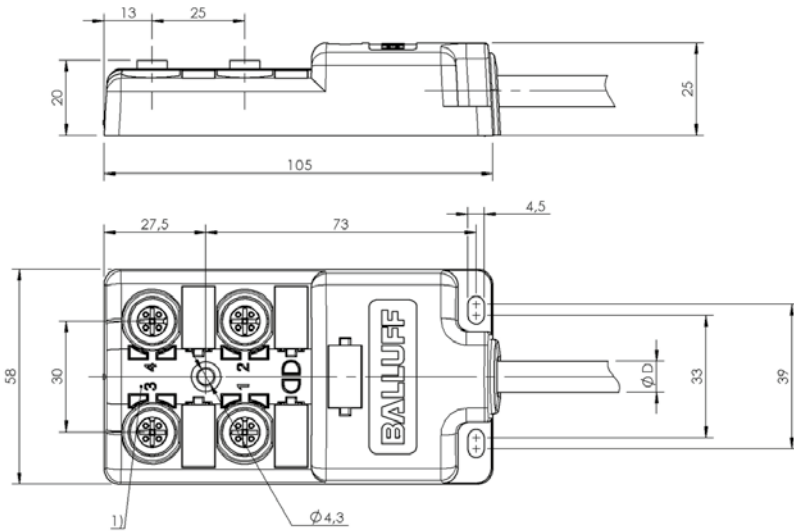
1) Slot numbering

**BPI 8M3030-5K-B0-SM4CT**  
**BPI 8M303P-5K-B0-SM4CT**



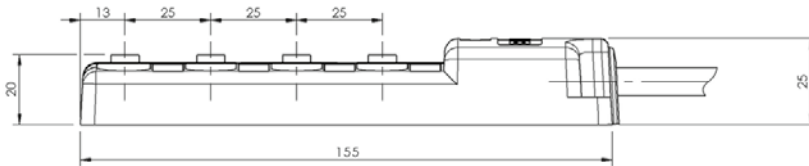
1) Slot numbering

**BPI AM3030-5K-B0-SM4CT**  
**BPI AM303P-5K-B0-SM4CT**



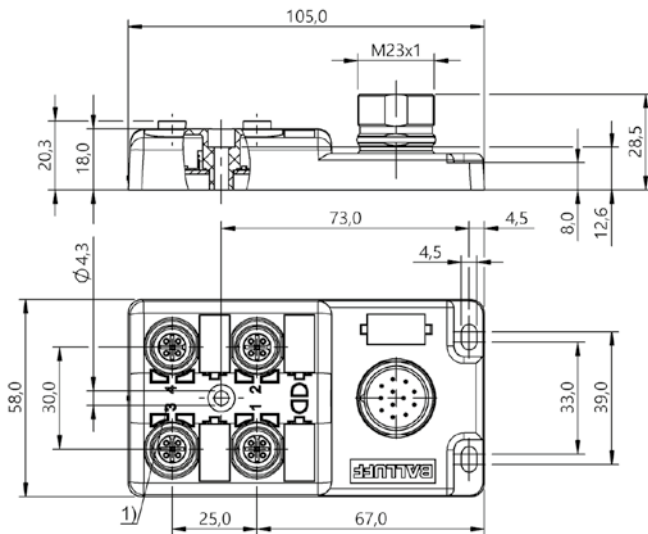
1) Slot numbering

- BPI 4M4A40-2K-B0-KPX70-...
- BPI 4M4A4P-2K-B0-KPX70-...
- BPI 4M4A4N-2K-B0-KPX70-...
- BPI 4M4A50-2K-B0-KPXB0-...
- BPI 4M4A5P-2K-B0-KPXB0-...
- BPI 4M4A5N-2K-B0-KPXB0-...



1) Slot numbering

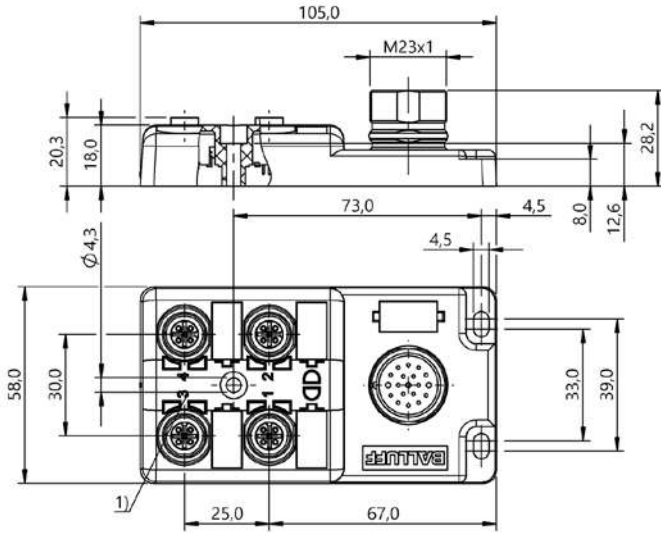
- BPI 8M4A40-2K-B0-KPXB0-...
- BPI 8M4A4P-2K-B0-KPXB0-...
- BPI 8M4A4N-2K-B0-KPXB0-...
- BPI 8M4A50-2K-B0-KPXL0-...
- BPI 8M4A5P-2K-B0-KPXL0-...
- BPI 8M4A5N-2K-B0-KPXL0-...



1) Slot numbering

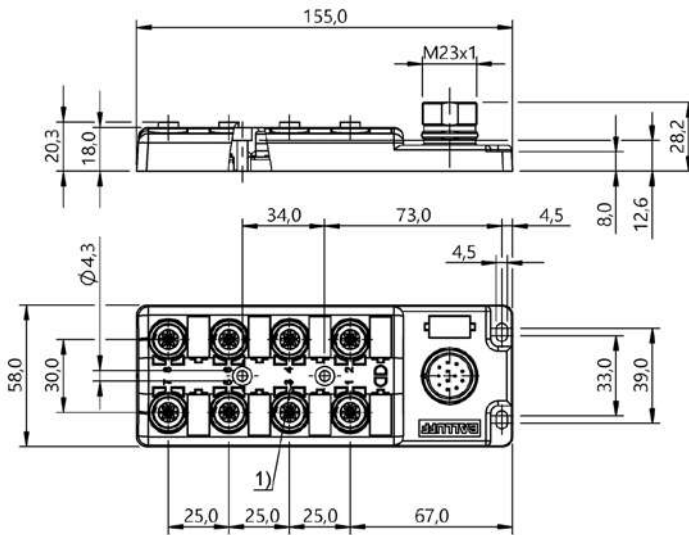
- BPI 4M4A40-2K-B0-SM6CT
- BPI 4M4A4P-2K-B0-SM6CT

318 | Connectivity | Junction Blocks



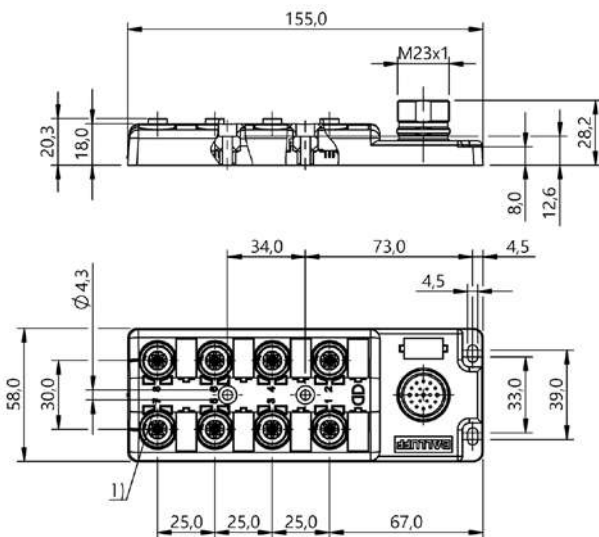
1) Slot numbering

**BPI 4M4A50-2K-B0-SM6LT**  
**BPI 4M4A5P-2K-B0-SM6LT**



1) Slot numbering

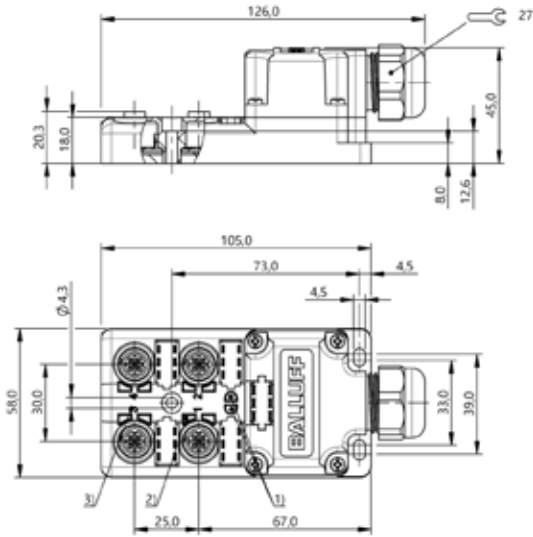
**BPI 8M4A40-2K-B0-SM6CT**  
**BPI 8M4A4P-2K-B0-SM6CT**



1) Slot numbering

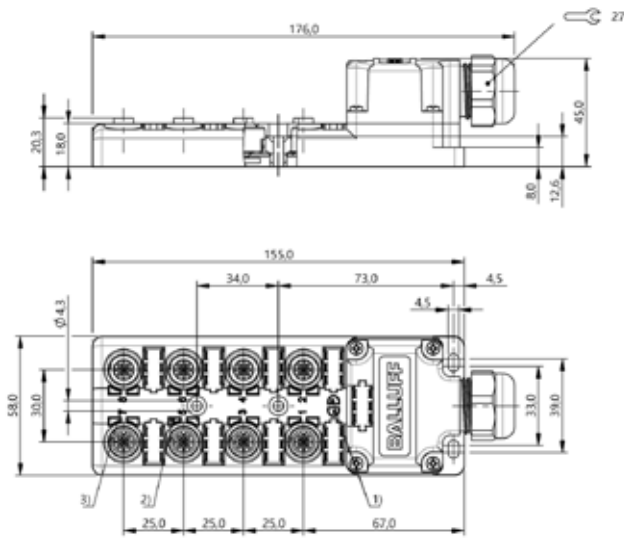
**BPI 8M4A50-2K-B0-SM6LT**  
**BPI 8M4A5P-2K-B0-SM6LT**





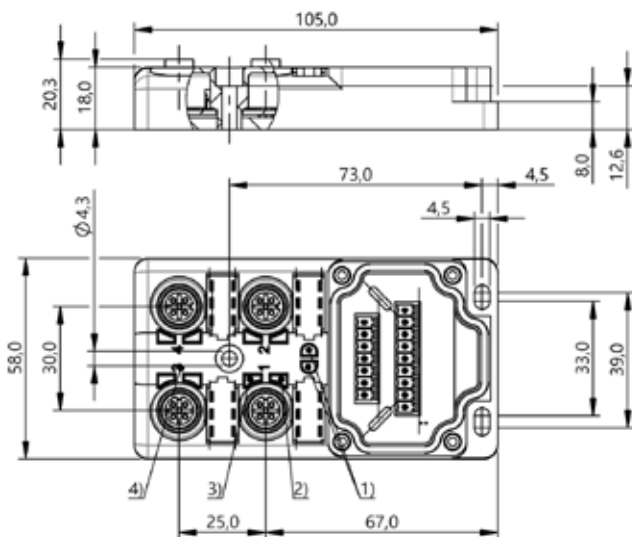
- 1) Power indicator
- 2) LED yellow for S1 on PIN 4
- 3) Slot numbering

**BPI 4M4A4P-2K-00-TPS9**  
**BPI 4M4A5P-2K-00-TPSG**



- 1) Power indicator
- 2) LED yellow for S1 on PIN 4
- 3) Slot numbering

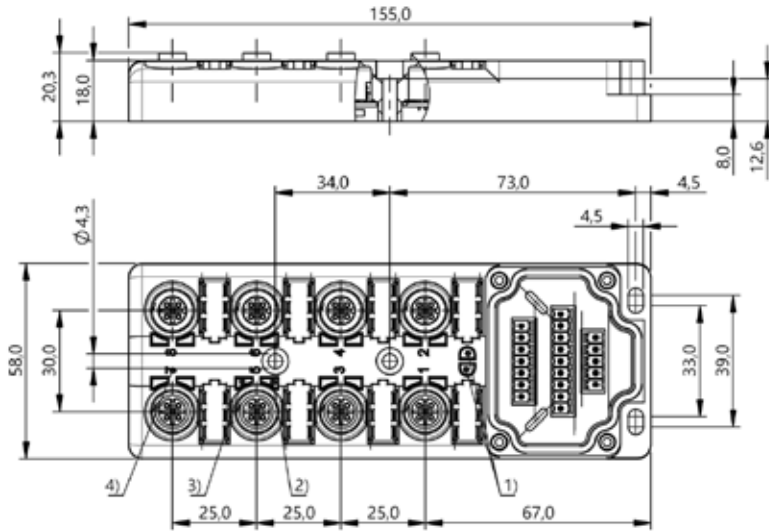
**BPI 8M4A4P-2K-00-TPSE**  
**BPI 8M4A5P-2K-00-TPSN**



- 1) Power indicator
- 2) LED yellow for S1 on PIN 4
- 3) Slot numbering

**BPI 4M4A4P-2K-00-TP09**  
**BPI 4M4A5P-2K-00-TP0G**

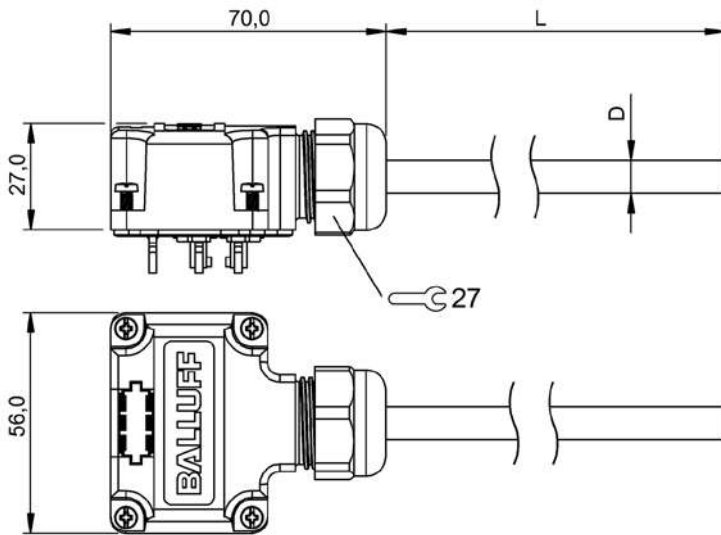
320 | Connectivity | Junction Blocks



- 1) Power indicator
- 2) LED yellow for S1 on PIN 4
- 3) Slot numbering

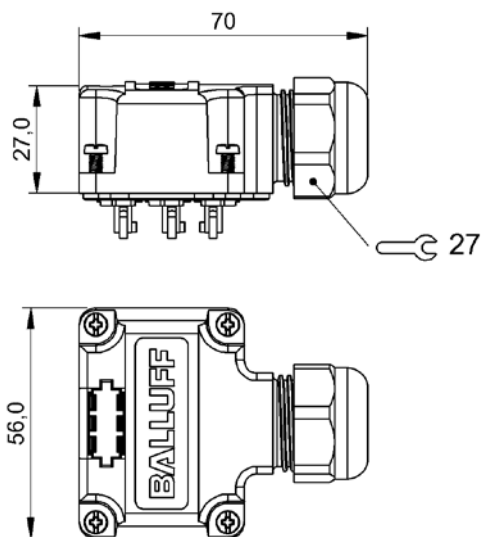
**BPI 8M4A4P-2K-00-TP0E**

**BPI 8M4A5P-2K-00-TP0N**



- BPI T009-K-00-KPX70-...**
- BPI T00G-K-00-KPX80-...**
- BPI T00G-K-00-KPX00-...**

- BPI T00E-K-00-KPX80-...**
- BPI T00N-K-00-KPXLO-...**
- BPI T00N-K-00-KPXNO-...**



**BPI T0SN-K-00**



Connectivity

# BASICS AND GLOSSARY





...sitors, Des  
...at in Familien

Safety

Human Machine  
Interfaces

Machine Vision and  
Optical Identification

RFID

Sensors

<b>Connection</b>	Indication of the form factor, coding and plug type
<b>Wire fastening</b>	How the connection of the leads in the plug is accomplished
<b>Rated voltage</b>	The maximum value of the electrical voltage in normal operation
<b>Rated current</b>	The electrical amperage which is assigned to an electrical device for a specified operating condition
<b>Power-on indicator</b>	Function indicator
<b>Piercing technology</b>	Piercing technology is a contact method where piercing connectors penetrate the insulation, move between the wires of the cable, and thus establish a secure contact with the cable
<b>HDC cables</b>	Cables for special applications, e.g. welding areas
<b>Cable break</b>	Interruption of the cable between the device and the controller due to mechanical damage
<b>Cross-section</b>	Cross-section of the cable, e.g. copper in mm <sup>2</sup> or AWG (American Wire Gauge)
<b>Solder connections</b>	Connection technique in which the conductor and connector are soldered together
<b>Insulation displacement connection technology</b>	Connection technique in which the conductor and connector are connected by means of a displacement contact through the wire insulation
<b>Screw terminals</b>	Connection technique in which the conductor and connector are connector by means of a clamp

**Архангельск** (8182)63-90-72  
**Астана** (7172)727-132  
**Астрахань** (8512)99-46-04  
**Барнаул** (3852)73-04-60  
**Белгород** (4722)40-23-64  
**Брянск** (4832)59-03-52  
**Владивосток** (423)249-28-31  
**Волгоград** (844)278-03-48  
**Вологда** (8172)26-41-59  
**Воронеж** (473)204-51-73  
**Екатеринбург** (343)384-55-89  
**Иваново** (4932)77-34-06

**Ижевск** (3412)26-03-58  
**Иркутск** (395)279-98-46  
**Казань** (843)206-01-48  
**Калининград** (4012)72-03-81  
**Калуга** (4842)92-23-67  
**Кемерово** (3842)65-04-62  
**Киров** (8332)68-02-04  
**Краснодар** (861)203-40-90  
**Красноярск** (391)204-63-61  
**Курск** (4712)77-13-04  
**Липецк** (4742)52-20-81

**Киргизия** (996)312-96-26-47

**Магнитогорск** (3519)55-03-13  
**Москва** (495)268-04-70  
**Мурманск** (8152)59-64-93  
**Набережные Челны** (8552)20-53-41  
**Нижний Новгород** (831)429-08-12  
**Новокузнецк** (3843)20-46-81  
**Новосибирск** (383)227-86-73  
**Омск** (3812)21-46-40  
**Орел** (4862)44-53-42  
**Оренбург** (3532)37-68-04  
**Пенза** (8412)22-31-16

**Россия** (495)268-04-70

**Пермь** (342)205-81-47  
**Ростов-на-Дону** (863)308-18-15  
**Рязань** (4912)46-61-64  
**Самара** (846)206-03-16  
**Санкт-Петербург** (812)309-46-40  
**Саратов** (845)249-38-78  
**Севастополь** (8692)22-31-93  
**Симферополь** (3652)67-13-56  
**Смоленск** (4812)29-41-54  
**Сочи** (862)225-72-31  
**Ставрополь** (8652)20-65-13

**Казахстан** (772)734-952-31

**Сургут** (3462)77-98-35  
**Тверь** (4822)63-31-35  
**Томск** (3822)98-41-53  
**Тула** (4872)74-02-29  
**Тюмень** (3452)66-21-18  
**Ульяновск** (8422)24-23-59  
**Уфа** (347)229-48-12  
**Хабаровск** (4212)92-98-04  
**Челябинск** (351)202-03-61  
**Череповец** (8202)49-02-64  
**Ярославль** (4852)69-52-93