



Accessories

Архангельск (8182)63-90-72
Астана (7172)727-132
Астрахань (8512)99-46-04
Барнаул (3852)73-04-60
Белгород (4722)40-23-64
Брянск (4832)59-03-52
Владивосток (423)249-28-31
Волгоград (844)278-03-48
Вологда (8172)26-41-59
Воронеж (473)204-51-73
Екатеринбург (343)384-55-89
Иваново (4932)77-34-06

Ижевск (3412)26-03-58
Иркутск (395)279-98-46
Казань (843)206-01-48
Калининград (4012)72-03-81
Калуга (4842)92-23-67
Кемерово (3842)65-04-62
Киров (8332)68-02-04
Краснодар (861)203-40-90
Красноярск (391)204-63-61
Курск (4712)77-13-04
Липецк (4742)52-20-81

Киргизия (996)312-96-26-47

Магнитогорск (3519)55-03-13
Москва (495)268-04-70
Мурманск (8152)59-64-93
Набережные Челны (8552)20-53-41
Нижний Новгород (831)429-08-12
Новокузнецк (3843)20-46-81
Новосибирск (383)227-86-73
Омск (3812)21-46-40
Орел (4862)44-53-42
Оренбург (3532)37-68-04
Пенза (8412)22-31-16

Россия (495)268-04-70

Пермь (342)205-81-47
Ростов-на-Дону (863)308-18-15
Рязань (4912)46-61-64
Самара (846)206-03-16
Санкт-Петербург (812)309-46-40
Саратов (845)249-38-78
Севастополь (8692)22-31-93
Симферополь (3652)67-13-56
Смоленск (4812)29-41-54
Сочи (862)225-72-31
Ставрополь (8652)20-65-13

Казахстан (772)734-952-31

Сургут (3462)77-98-35
Тверь (4822)63-31-35
Томск (3822)98-41-53
Тула (4872)74-02-29
Тюмень (3452)66-21-18
Ульяновск (8422)24-23-59
Уфа (347)229-48-12
Хабаровск (4212)92-98-04
Челябинск (351)202-03-61
Череповец (8202)49-02-64
Ярославль (4852)69-52-93

balluff.nt-rt.ru || bfd@nt-rt.ru

High-quality gear for virtually any application

ACCESSORIES

 *innovating automation*



Our great selection of high-quality accessories supports you in the optimum embedding of the sensor in machines and systems. Through easy assembly and installation, exact positioning and high machine availability. The wide Balluff product range offers the optimum gear for nearly every application.

Your Balluff solutions

- Fastening technology
- Lighting for Vision Systems
- Reflectors, fibers, optics
- Mechanical protection
- Signal converters and communication adapters
- Mechanical accessories



High-quality accessories system for optical applications

REFLECTORS, FIBERS, OPTICS



Our accessories for optical applications include round and square reflectors and reflex films. You can obtain plastic and glass fibers as well as shields, lenses, filters and deflecting mirrors.

The optical accessory system is qualified for Balluff sensors and available in various versions, including for demanding applications.

The most important benefits

- High quality and flexible
- Simple to install
- Compatibility



	BAM01CF BOS R-40	BAM01HF BOS R-45	BAM00UM BOS R-12	
Version	Reflective foil, micro-pyramids	Reflective foil, micro-pyramids	Cube corner 0.9 mm	
Use	for photoelectric retroreflective sensors, for photoelectric laser retroreflective sensors	for photoelectric retroreflective sensors, for photoelectric laser retroreflective sensors	for photoelectric retroreflective sensors, for photoelectric laser retroreflective sensors	
Style	Film cutoff, Rectangular	Film cutoff, Rectangular	Square, 2 mounting holes	
Dimension	50 x 100 x 0.6 mm	200 x 300 x 0.5 mm	14 x 23 x 4.9 mm	
Sensing surface	50.0 cm ²	600.0 cm ²	1.7 cm ²	
Ambient temperature	-20...60 °C	-20...60 °C	-20...60 °C	
Material sensing surface	PMMA, rear coated Al	PMMA, rear coated Al	PMMA	
Material	Film	Film	ABS	
Light type	non-polarized light, also for polarized light	non-polarized light, also for polarized light	non-polarized light, also for polarized light	
Mounting	Self-adhesive	Self-adhesive	Adhesive, Screw M1.5	
Approval/Conformity	—	—	—	
Productview	Page 344	Page 344	Page 344	



	BAM00UY BOS R-22	BAM01H9 BOS R-41	BAM023T BOS R-55	BAM023U BOS R-56	BAM00UN BOS R-13
	Cube corner 1.2 mm	Cube corner 1.2 mm	Cube corner 1.1 mm	Micro-pyramids	Cube corner 1.2 mm
	for photoelectric retro-reflective sensors, for photoelectric laser retroreflective sensors	for photoelectric retro-reflective sensors, for photoelectric laser retroreflective sensors	for photoelectric retro-reflective sensors, for photoelectric laser retroreflective sensors	for photoelectric retro-reflective sensors, for photoelectric laser retroreflective sensors	for photoelectric retro-reflective sensors, for photoelectric laser retroreflective sensors
	Square, 2 mounting holes	Square, 2 mounting holes	Square, 2 mounting holes	Square, 2 mounting holes	Cylinder
	51 x 61 x 7.5 mm	10 x 40 x 3.7 mm	20 x 32 x 3 mm	20 x 32 x 3 mm	25 x 5.5 mm
	22.6 cm ²	1.4 cm ²	2.7 cm ²	2.7 cm ²	3.3 cm ²
	-20...60 °C	-20...60 °C	-20...140 °C	-20...60 °C	-20...60 °C
	PMMA	PMMA	Solidchem	PMMA	PMMA
	ABS	ABS	Solidchem	ABS	ABS
	non-polarized light, also for polarized light	non-polarized light, also for polarized light	non-polarized light, also for polarized light	non-polarized light, also for polarized light	non-polarized light, also for polarized light
	Adhesive, Screw M4	Adhesive, Screw M3	Screw M3	Screw M3	Adhesive
	—	—	Solidchem, TÜV Rheinland, Ecolab	—	—
	Page 344	Page 344	Page 344	Page 344	Page 344

Sensors

RFID

Machine Vision and Optical Identification

Human Machine Interfaces

Safety

Industrial Networking

Software and System Solutions

Power Supply

Connectivity

Accessories



	BAM00UT BOS R-16	BAM01H7 BOS R-38	BAM01HA BOS R-42	
Version	Cube corner 1.2 mm	Cube corner 0.9 mm	Cube corner 0.9 mm	
Use	for photoelectric retro-reflective sensors, for photoelectric laser retroreflective sensors	for photoelectric retro-reflective sensors, for photoelectric laser retroreflective sensors	for photoelectric retro-reflective sensors, for photoelectric laser retroreflective sensors	
Style	Cylinder	Cylinder with threaded pin	Cylinder with threaded pin	
Dimension	Ø 21 x 5.2 mm	Ø 10 x 13.6 mm	Ø 19 x 14.6 mm	
Sensing surface	1.9 cm ²	0.3 cm ²	1.9 cm ²	
Ambient temperature	-20...60 °C	-20...60 °C	-20...60 °C	
Material sensing surface	PMMA	PMMA	PMMA	
Material	ABS	ABS	ABS	
Light type	non-polarized light, also for polarized light	non-polarized light, also for polarized light	non-polarized light, also for polarized light	
Mounting	Adhesive	M3 nut	M3 nut	
Approval/Conformity	—	—	—	
Productview	Page 345	Page 345	Page 345	



	BAM01HC BOS R-43	BAM0333 BAM RF-XO-030-S000/04-PM-FA	BAM00W6 BOS R-32-0,40	BAM00W9 BOS R-35	BAM01JM BOS R-50
	Cube corner 1.2 mm	Reflective foil, micro-pyramids	Reflective foil, micro-pyramids	Reflective film, micro-glass balls	Reflective foil, micro-pyramids
	for photoelectric retro-reflective sensors, for photoelectric laser retroreflective sensors	for photoelectric retro-reflective sensors	for photoelectric retro-reflective sensors	for photoelectric retro-reflective sensors	for photoelectric retro-reflective sensors
	Cylinder with threaded pin	Film cutoff, Rectangular	Film cutoff, Rectangular	Film cutoff, Rectangular	Film cutoff, Rectangular
	Ø 25 x 15.5 mm	35 x 40 x 0.5 mm	50 x 90 x 0.5 mm	200 x 200 x 0.5 mm	100 x 100 x 0.5 mm
	3.3 cm ²	14.0 cm ²	45.0 cm ²	400.0 cm ²	100.0 cm ²
	-20...60 °C	-20...60 °C	-20...60 °C	-20...60 °C	-20...60 °C
	PMMA	Acrylic	PMMA	Glass	PMMA
	ABS	Film	Film	Film	Film
	non-polarized light, also for polarized light	non-polarized light, also for polarized light	non-polarized light, also for polarized light	non-polarized light	non-polarized light, also for polarized light
	M4 nut	Self-adhesive	Self-adhesive	Self-adhesive	Self-adhesive
	—	—	—	—	—
	Page 345	Page 345	Page 345	Page 345	Page 345

Sensors

RFID

Machine Vision and Optical Identification

Human Machine Interfaces

Safety

Industrial Networking

Software and System Solutions

Power Supply

Connectivity

Accessories



	BAM00WC BOS R-6-0,25	BAM00WE BOS R-6-45	BAM02R3 BOS R-60-22	
Version	Reflective foil, micro-pyramids	Reflective foil, micro-pyramids	Reflective foil, micro-pyramids	
Use	for photoelectric retroreflective sensors	for photoelectric retroreflective sensors	for photoelectric retroreflective sensors	
Style	Film cutoff, Rectangular	Foil web	Foil web	
Dimension	50 x 250 x 0.3 mm	50 mm x 45 m x 0.3 mm	100 x 0.5 mm	
Sensing surface	125.0 cm ²	22850.0 cm ²	22800.0 cm ²	
Ambient temperature	-20...60 °C	-20...60 °C	-20...60 °C	
Material sensing surface	PMMA	PMMA	PMMA	
Material	Film	Film	Film	
Light type	non-polarized light	non-polarized light	non-polarized light, also for polarized light	
Mounting	Self-adhesive	Self-adhesive	Self-adhesive	
Approval/Conformity	—	—	—	
Productview	Page 346	Page 346	Page 346	



	BAM00WF BOS R-7-0,25	BAM00WH BOS R-7-22	BAM00WJ BOS R-8-0,25	BAM00WK BOS R-8-22	BAM0330 BAM RF-X0-025-S023/40-PM-AS
	Reflective foil, micro-pyramids	Reflective foil, micro-pyramids	Reflective foil, micro-pyramids	Reflective foil, micro-pyramids	Cube corner 4 mm
	for photoelectric retroreflective sensors	for photoelectric retroreflective sensors	for photoelectric retroreflective sensors	for photoelectric retroreflective sensors	for photoelectric retroreflective sensors
	Film cutoff, Rectangular	Foil web	Film cutoff, Rectangular	Foil web	Square, 2 mounting holes
	50 x 250 x 0.5 mm	50 mm x 22 m x 0.5 mm	25 x 250 x 0.5 mm	25 mm x 22 m x 0.5 mm	51 x 72 x 7.3 mm
	125.0 cm ²	11000.0 cm ²	62.5 cm ²	5500.0 cm ²	22.6 cm ²
	-20...60 °C	-20...60 °C	-20...60 °C	-20...60 °C	-20...60 °C
	PMMA	PMMA	PMMA	PMMA	PMMA
	Film	Film	Film	Film	ABS
	non-polarized light, also for polarized light	non-polarized light, also for polarized light	non-polarized light, also for polarized light	non-polarized light, also for polarized light	non-polarized light, also for polarized light
	Self-adhesive	Self-adhesive	Self-adhesive	Self-adhesive	Screw M4
	—	—	—	—	—
	Page 346	Page 346	Page 346	Page 346	Page 346

Sensors

RFID

Machine Vision and Optical Identification

Human Machine Interfaces

Safety

Industrial Networking

Software and System Solutions

Power Supply

Connectivity

Accessories



	BAM0331 BAM RF-X0-026-S012/40-PM-AS	BAM0332 BAM RF-X0-027-S004/25-PM-AS	BAM00UL BOS R-11	
Version	Cube corner 4 mm	Cube corner 1.2 mm	Cube corner 4 mm	
Use	for photoelectric retroreflective sensors	for photoelectric retroreflective sensors	for photoelectric retroreflective sensors	
Style	Square, 2 mounting holes	Square, 2 mounting holes	Square, 2 mounting holes	
Dimension	35 x 42 x 8.6 mm	12.9 x 33.4 x 11.2 mm	84 x 84 x 9.1 mm	
Sensing surface	9.6 cm ²	2.2 cm ²	63.7 cm ²	
Ambient temperature	-20...60 °C	-20...60 °C	-20...60 °C	
Material sensing surface	PMMA	PMMA	PMMA	
Material	ABS	ABS	ABS	
Light type	non-polarized light, also for polarized light	non-polarized light, also for polarized light	non-polarized light, also for polarized light	
Mounting	Screw M3	Screw M3	Adhesive, Screw M3	
Approval/Conformity	—	—	—	
Productview	Page 347	Page 347	Page 347	



	BAM00W7 BOS R-33	BAM00W8 BOS R-34	BAM01CM BOS R-36	BAM01HE BOS R-44	BAM01JP BOS R-46
	Cube corner 4 mm	Cube corner 4 mm	Cube corner 4 mm	Cube corner 4 mm	Cube corner 4 mm
	for photoelectric retroreflective sensors	for photoelectric retroreflective sensors	for photoelectric retroreflective sensors	for photoelectric retroreflective sensors	for photoelectric retroreflective sensors
	Square, 2 mounting holes	Square, 2 mounting holes	Square, 2 mounting holes	Square, 2 mounting holes	Square, 2 mounting holes
	19 x 60 x 6.1 mm	40 x 60 x 7.5 mm	40 x 60 x 7.5 mm	40 x 60 x 7.5 mm	40 x 60 x 7.5 mm
	4.9 cm ²	19.9 cm ²	19.9 cm ²	19.9 cm ²	19.9 cm ²
	-20...60 °C	-20...150 °C	-20...60 °C	-20...140 °C	-20...60 °C
	PMMA	HOT	PMMA Anti-fog coated	Solidchem	PMMA
	ABS	HOT	ABS	Solidchem	ABS
	non-polarized light, also for polarized light	non-polarized light, also for polarized light	non-polarized light, also for polarized light	non-polarized light, also for polarized light	non-polarized light, also for polarized light
	Adhesive, Screw M4	Adhesive, Screw M3	Adhesive, Screw M3	Adhesive, Screw M3	Adhesive, Screw M3
	—	—	—	Solidchem, TÜV Rheinland, Ecolab	—
	Page 347	Page 347	Page 347	Page 347	Page 347

Sensors

RFID

Machine Vision and
Optical Identification

Human Machine
Interfaces

Safety

Industrial Networking

Software and
System Solutions

Power Supply

Connectivity

Accessories



	BAM01JN BOS R-47	BAM01LA BOS R-48	BAM01NH BOS R-49	
Version	Cube corner 4 mm	Cube corner 4 mm	Cube corner 0.9 mm	
Use	for photoelectric retro-reflective sensors	for photoelectric retro-reflective sensors	for photoelectric retro-reflective sensors	
Style	Square, 2 mounting holes	Square, 2 mounting holes	Square, 2 mounting holes	
Dimension	100 x 100 x 9.2 mm	23 x 82 x 7.5 mm	14 x 23 x 4.9 mm	
Sensing surface	92.5 cm ²	10.0 cm ²	1.7 cm ²	
Ambient temperature	-20...60 °C	-20...60 °C	-20...110 °C	
Material sensing surface	PMMA	PMMA	HOT	
Material	ABS	ABS	HOT	
Light type	non-polarized light, also for polarized light	non-polarized light, also for polarized light	non-polarized light, also for polarized light	
Mounting	Adhesive, Screw M3	Adhesive, Screw M3	Adhesive, Screw M1.5	
Approval/Conformity	—	—	—	
Productview	Page 348	Page 348	Page 348	



	BAM00WA BOS R-5	BAM00WL BOS R-9	BAM00UK BOS R-1	BAM0126 BOS R-10	BAM00UP BOS R-14
	Cube corner 4 mm	Cube corner 4 mm	Cube corner 4 mm	Cube corner 4 mm	Cube corner 4 mm
	for photoelectric retroreflective sensors	for photoelectric retroreflective sensors	for photoelectric retroreflective sensors	for photoelectric retroreflective sensors	for photoelectric retroreflective sensors
	Square, 2 mounting holes	Square, 2 mounting holes	Cylinder, 1 fastening hole	Cylinder, 2 mounting holes	Cylinder with expanding rivet
	18 x 120 x 6 mm	51 x 61 x 8 mm	Ø 84 x 7.3 mm	Ø 62 x 8.8 mm	Ø 51 x 7.4 mm
	13.9 cm ²	22.6 cm ²	50.9 cm ²	20.4 cm ²	17.7 cm ²
	-20...60 °C	-20...60 °C	-20...60 °C	-20...60 °C	-20...100 °C
	PMMA	PMMA	PMMA	PMMA	PC
	ABS	ABS	ABS	ABS	PC
	non-polarized light, also for polarized light	non-polarized light, also for polarized light	non-polarized light, also for polarized light	non-polarized light, also for polarized light	non-polarized light, also for polarized light
	Adhesive, Screw M4	Adhesive, Screw M4	Adhesive, Screw M4	Adhesive, Screw M4	Diameter 6.0 mm
	—	—	—	—	—
	Page 348	Page 348	Page 348	Page 348	Page 348

Sensors

RFID

Machine Vision and
Optical Identification

Human Machine
Interfaces

Safety

Industrial Networking

Software and
System Solutions

Power Supply

Connectivity

Accessories



	BAM00UR BOS R-15	BAM00UW BOS R-2	BAM00W4 BOS R-3	
Version	Cube corner 2 mm	Cube corner 2.5 mm	Cube corner 2 mm	
Use	for photoelectric retro-reflective sensors	for photoelectric retro-reflective sensors	for photoelectric retro-reflective sensors	
Style	Cylinder	Cylinder	Cylinder	
Dimension	Ø 21 x 5.2 mm	Ø 46 x 6.5 mm	Ø 21 x 5.2 mm	
Sensing surface	2.4 cm ²	11.6 cm ²	1.9 cm ²	
Ambient temperature	-20...100 °C	-20...60 °C	-20...60 °C	
Material sensing surface	HOT	PMMA	PMMA	
Material	HOT	ABS	ABS	
Light type	non-polarized light, also for polarized light	non-polarized light, also for polarized light	non-polarized light, also for polarized light	
Mounting	Glue	Glue	Glue	
Approval/Conformity	—	—	—	
Productview	Page 349	Page 349	Page 349	



BAM01H6 B0SR-31				
Cube corner 5 mm				
for photoelectric retroreflective sensors				
Cylinder				
Ø 52 x 9 mm				
14.3 cm ²				
-20...500 °C				
Borosilicate crown glass				
Borosilicate crown glass				
non-polarized light, also for polarized light				
Clamps				
—				
Page 349				

Sensors

RFID

Machine Vision and Optical Identification

Human Machine Interfaces

Safety

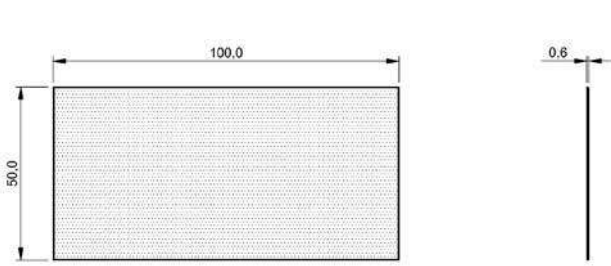
Industrial Networking

Software and System Solutions

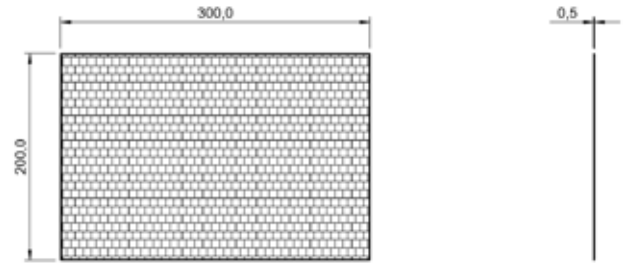
Power Supply

Connectivity

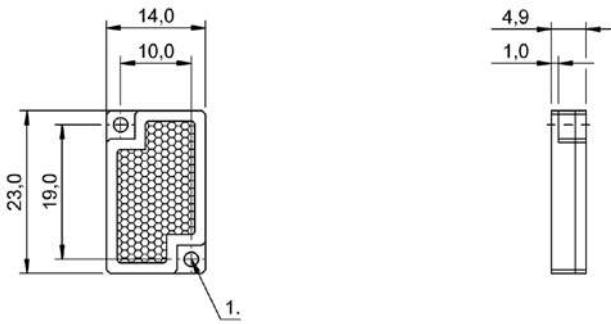
Accessories



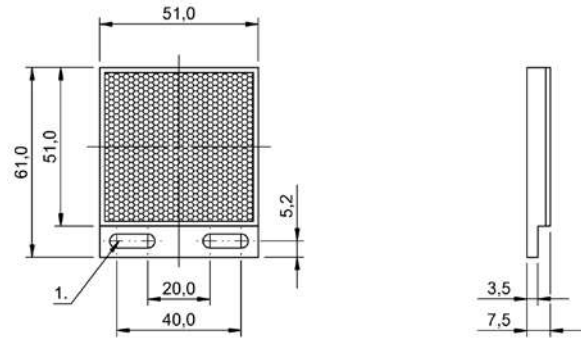
BAM01CF



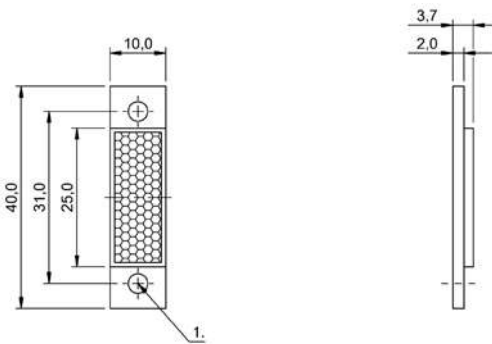
BAM01HF



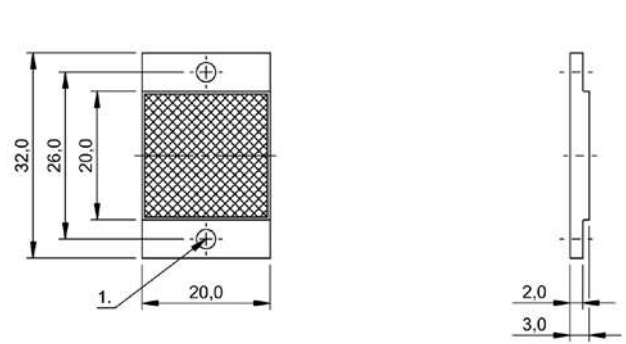
BAM00UM



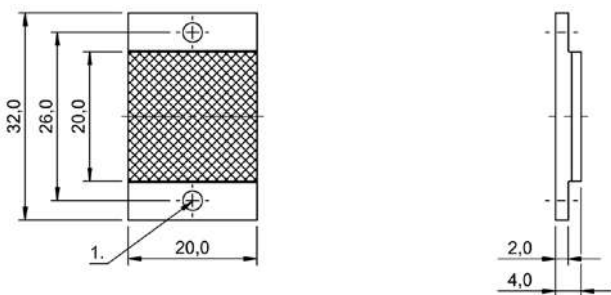
BAM00UY



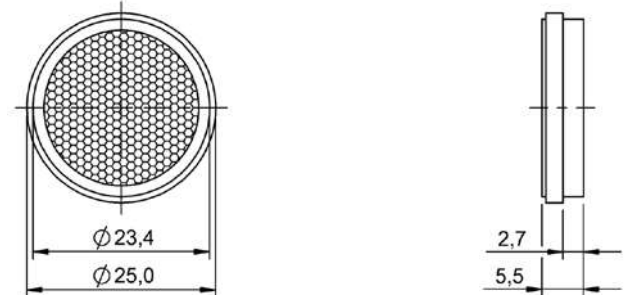
BAM01H9



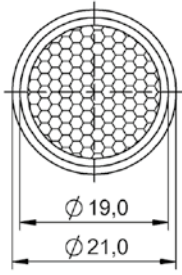
BAM023T



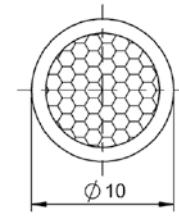
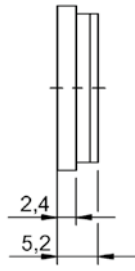
BAM023U



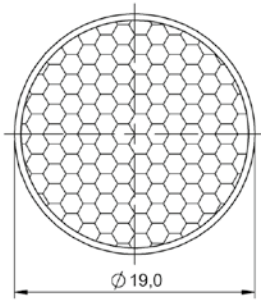
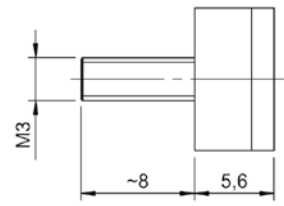
BAM00UN



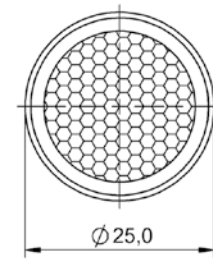
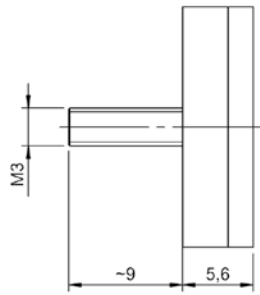
BAM00UT



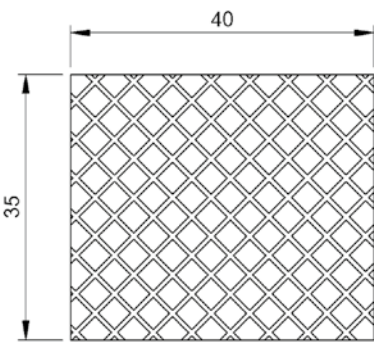
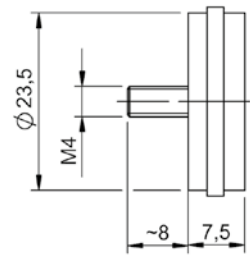
BAM01H7



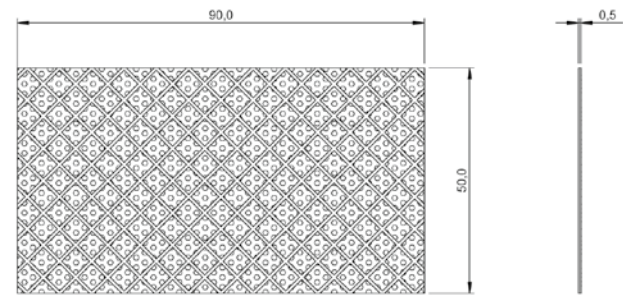
BAM01HA



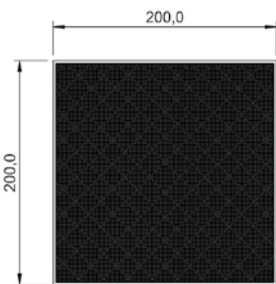
BAM01HC



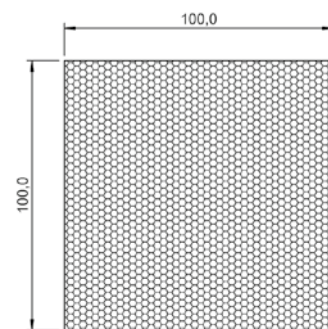
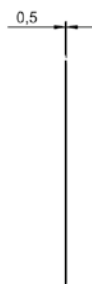
BAM0333



BAM00W6



BAM00W9



BAM01JM



Sensors

RFID

Machine Vision and
Optical Identification

Human Machine
Interfaces

Safety

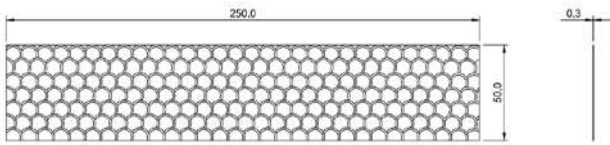
Industrial Networking

Software and
System Solutions

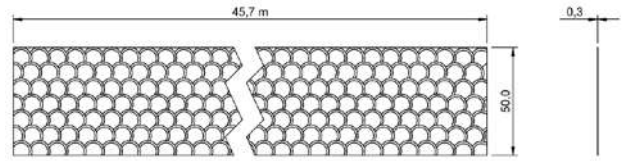
Power Supply

Connectivity

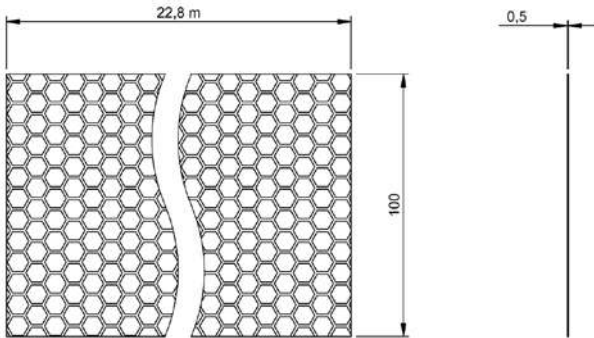
Accessories



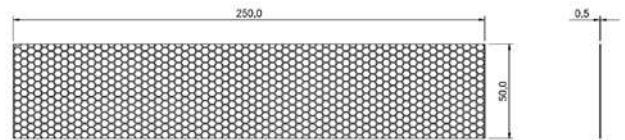
BAM00WC



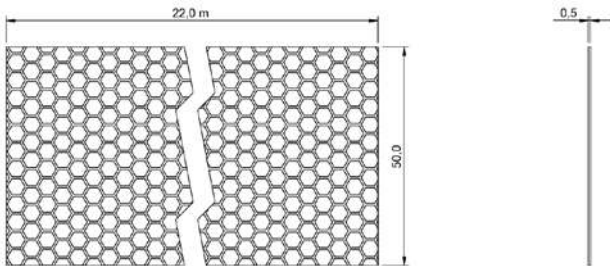
BAM00WE



BAM02R3



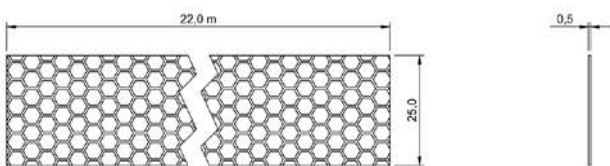
BAM00WF



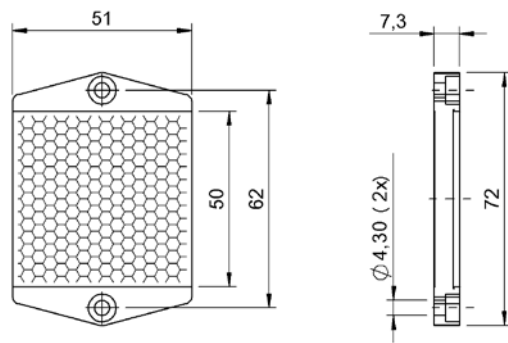
BAM00WH



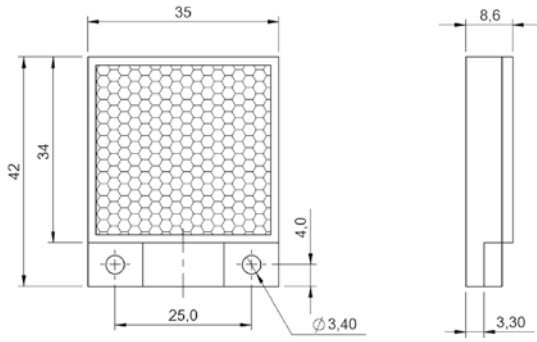
BAM00WJ



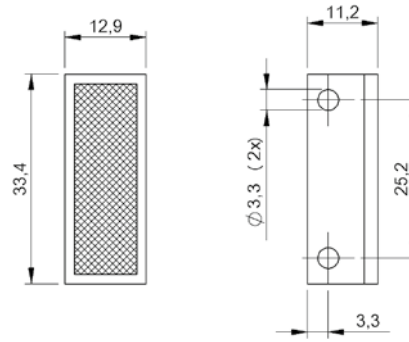
BAM00WK



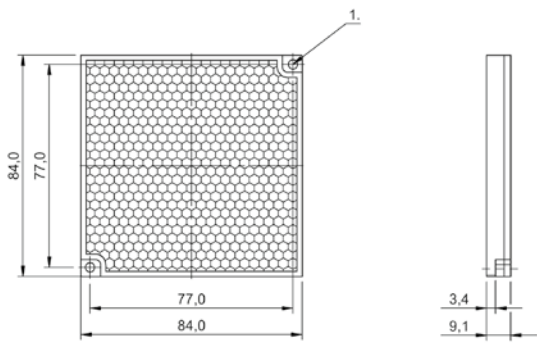
BAM0330



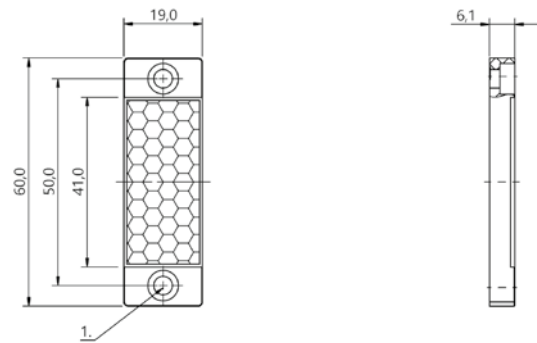
BAM0331



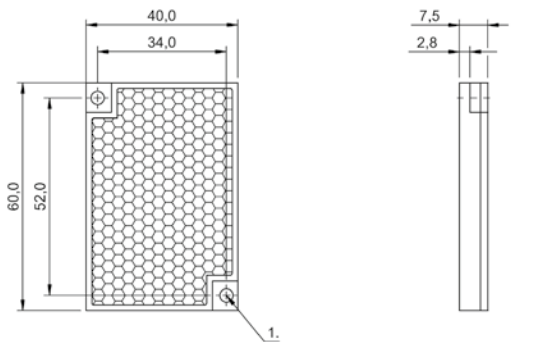
BAM0332



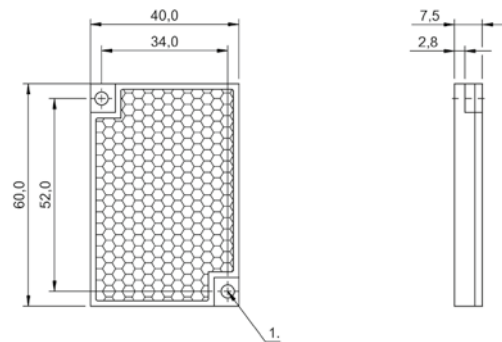
BAM00UL



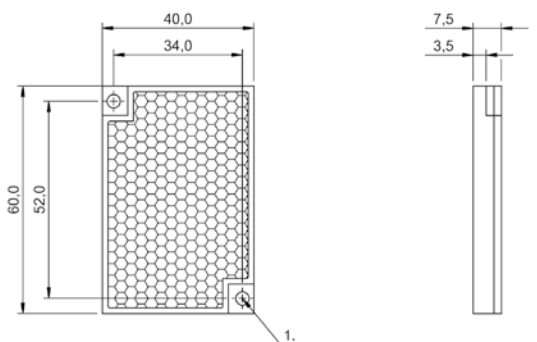
BAM00W7



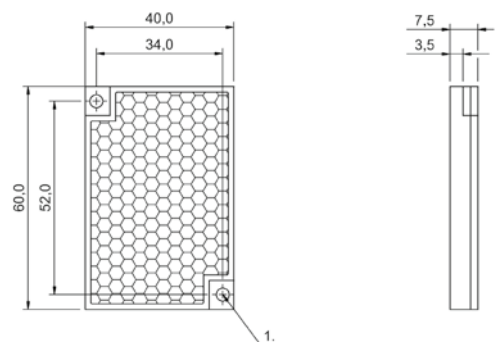
BAM00W8



BAM01CM



BAM01HE



BAM01JP

Sensors

RFID

Machine Vision and
Optical Identification

Human Machine
Interfaces

Safety

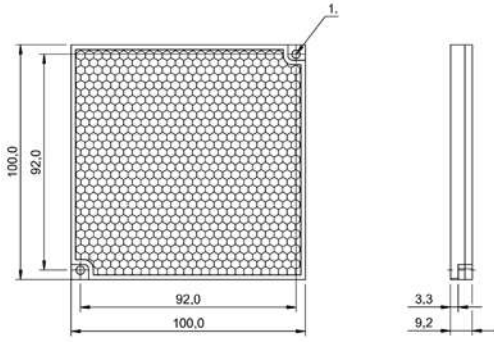
Industrial Networking

Software and
System Solutions

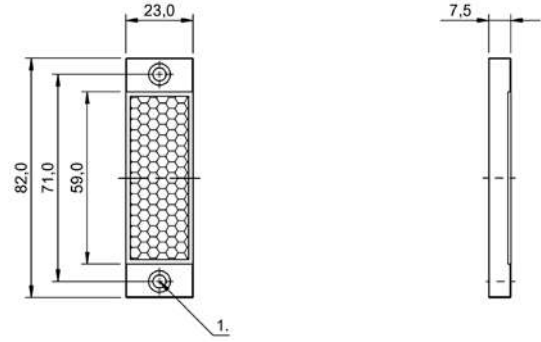
Power Supply

Connectivity

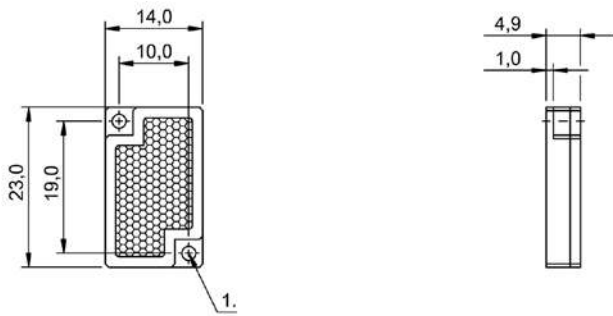
Accessories



BAM01JN

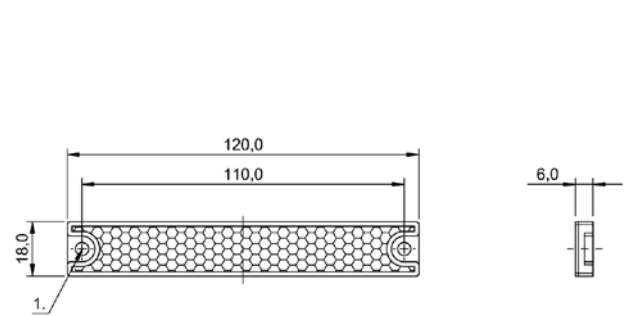


BAM01LA

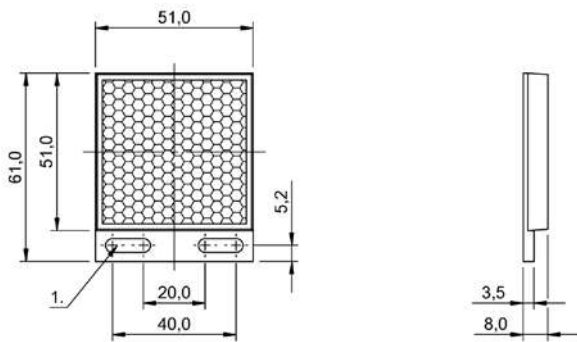


1) for M1.5

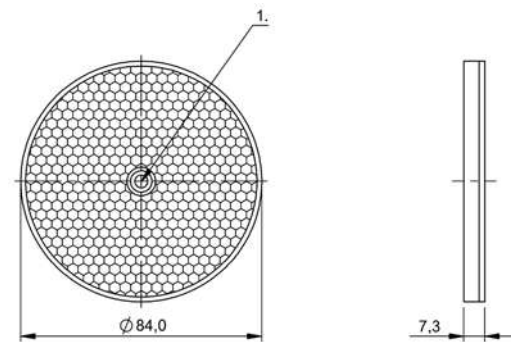
BAM01NH



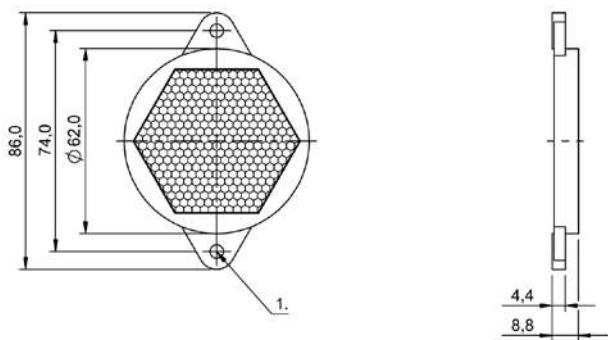
BAM00WA



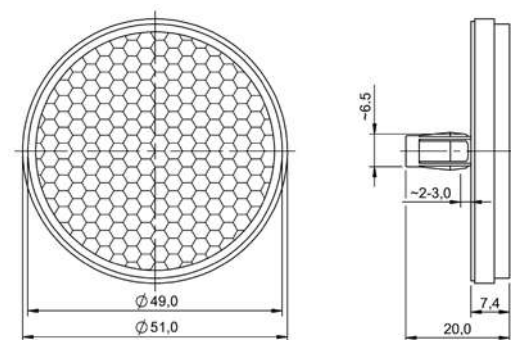
BAM00WL



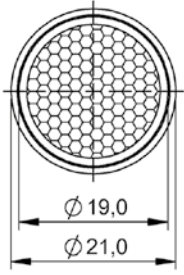
BAM00UK



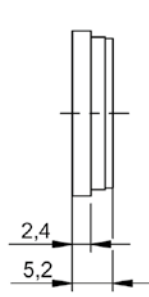
BAM0126



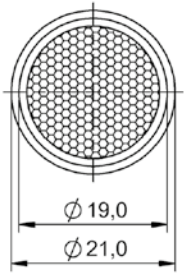
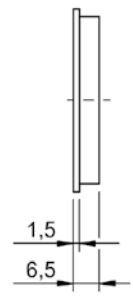
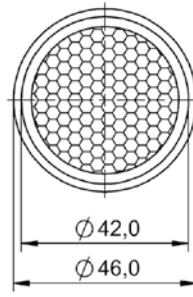
BAM00UP



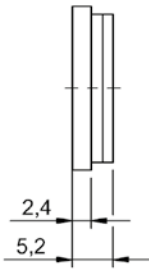
BAM00UR



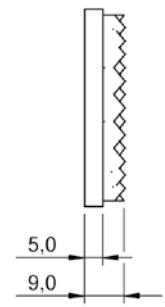
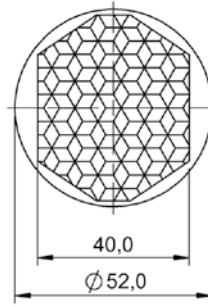
BAM00UW



BAM00W4



BAM01H6



Sensors

RFID

Machine Vision and
Optical Identification

Human Machine
Interfaces

Safety

Industrial Networking

Software and
System Solutions

Power Supply

Connectivity

Accessories



	BAM00NM ADAPTER BFO 30-A1	BAM00PO BFO 08,0-KB-1	BAM00J BFO D10-LA-DC-10	
Principle of operation	Fiber optics adapter	Clamp holder	Fiber optics adapter	
Version	Adapter ring	Mounting block	Clamping sleeve for Ø 1.0 mm	
Filter	—	—	—	
Use	for photoelectric fiber optics BFO 18V	for sensors Ø8 mm	for photoelectric fiber optics BFO D10	
Dimension	Ø 27.5 x 16.7 mm	16 x 20 x 12 mm	Ø 3.6 x 25 mm	
Material	—	—	—	
Material sensing surface	—	—	—	
Sensing surface	—	—	—	
Mounting	Cap nut M30x1.5	Screw M3	Clamps	
Focal length	—	—	—	
Minimum object distance (MOD)	—	—	—	
Productview	Page 372	Page 372	Page 372	



	BAM00P1 BFO D13-LA-EC-10	BF0005F BFO D22-LA-AC-20	BF0005J BFO D22-LA-BC-10	BF0005L BFO D22-LA-CC-30	BAM00PW BOS 12-BL-1
	Fiber optics adapter	Add-on lens	Add-on lens	Add-on lens	Aperture BOS
	Clamping sleeve for Ø 1.3 mm	Clamping sleeve with 90° lens	Clamp sleeve	Clamping sleeve with lens	Slit aperture set
	—	—	—	—	—
	for photoelectric fiber optics BFO D13-	for photoelectric fiber optics BFO	for photoelectric fiber optics BFO	for photoelectric fiber optics BFO	for photoelectric sensors BOS 12M
	Ø 4.2 x 25.5 mm	Ø 5 x 23.5 mm	Ø 5 x 21 mm	Ø 5 x 21.5 mm	Ø 9.4 x 0.2 mm
	—	—	—	—	—
	—	—	—	—	—
	—	Prism, cylindrical	—	convex, 1 aperture	Width 1.0/1.5/2.0 mm
	Clamps	Screws, clamps	Screws, clamps	Screws, clamps	Self-adhesive
	—	—	—	—	—
	—	—	—	—	—
	Page 372	Page 372	Page 372	Page 372	Page 372

Sensors

RFID

Machine Vision and Optical Identification

Human Machine Interfaces

Safety

Industrial Networking

Software and System Solutions

Power Supply

Connectivity

Accessories



	BAM00R6 BOS 18-BL-1	BAM00R7 BOS 18-BL-2	BAM00TU BOS 5-BL-1	
Principle of operation	Aperture BOS	Aperture BOS	Aperture BOS	
Version	Round aperture	Double slit aperture	Vertical slit aperture	
Filter	—	—	—	
Use	for photoelectric sensors BOS 18M	for photoelectric sensors BOS 18M	for photoelectric sensors BOS 5K	
Dimension	Ø 22 x 16 mm	Ø 22 x 85 mm	8.2 x 32.1 x 6.1 mm	
Material	—	—	—	
Material sensing surface	—	Glass	—	
Sensing surface	Ø 2 mm	Width 2.0 mm	Width 0.5 mm	
Mounting	Thread M18x1	Thread M18x1	Snap-on	
Focal length	—	—	—	
Minimum object distance (MOD)	—	—	—	
Productview	Page 373	Page 373	Page 373	



	BAM00TW BOS 5-BL-2	BAM00TY BOS 5-BL-3	BAM00TZ BOS 5-BL-4	BAM00U0 BOS 5-BL-5	BAM00U1 BOS 5-BL-6
	Aperture BOS	Aperture BOS	Aperture BOS	Aperture BOS	Aperture BOS
	Vertical slit aperture	Vertical slit aperture	Horizontal slit aperture	Horizontal slit aperture	Horizontal slit aperture
	—	—	—	—	—
	for photoelectric sensors BOS 5K	for photoelectric sensors BOS 5K	for photoelectric sensors BOS 5K	for photoelectric sensors BOS 5K	for photoelectric sensors BOS 5K
	8.2 x 32.1 x 6.1 mm	8.2 x 32.1 x 6.1 mm	8.2 x 32.1 x 6.1 mm	8.2 x 32.1 x 6.1 mm	8.2 x 32.1 x 6.1 mm
	—	—	—	—	—
	—	—	—	—	—
	Width 1.0 mm	Width 2.0 mm	Width 0.5 mm	Width 1.0 mm	Width 2.0 mm
	Snap-on	Snap-on	Snap-on	Snap-on	Snap-on
	—	—	—	—	—
	—	—	—	—	—
	Page 373	Page 373	Page 373	Page 373	Page 373

Sensors

RFID

Machine Vision and
Optical Identification

Human Machine
Interfaces

Safety

Industrial Networking

Software and
System Solutions

Power Supply

Connectivity

Accessories



	BAM00U2 BOS 5-BL-7	BAM00U3 BOS 5-BL-8	BAM00U4 BOS 5-BL-9	
Principle of operation	Aperture BOS	Aperture BOS	Aperture BOS	
Version	Round aperture	Round aperture	Round aperture	
Filter	—	—	—	
Use	for photoelectric sensors BOS 5K	for photoelectric sensors BOS 5K	for photoelectric sensors BOS 5K	
Dimension	8.2 x 32.1 x 6.1 mm	8.2 x 32.1 x 6.1 mm	8.2 x 32.1 x 6.1 mm	
Material	—	—	—	
Material sensing surface	—	—	—	
Sensing surface	Ø 0.5 mm	Ø 1 mm	Ø 2 mm	
Mounting	Snap-on	Snap-on	Snap-on	
Focal length	—	—	—	
Minimum object distance (MOD)	—	—	—	
Productview	Page 374	Page 374	Page 374	



BAM02PM BOS 6-BL-1	BAM029R BAM LS-VS-004-C2/3-0614-2	BAM02FA BAM LS-VS-004-C2/3-0814-2	BAM02FC BAM LS-VS-004-C2/3-1214-2	BAM02FE BAM LS-VS-004-C2/3-1614-2
Aperture BOS	Camera lens	Camera lens	Camera lens	Camera lens
Round aperture	C-Mount	C-Mount	C-Mount	C-Mount
—	—	—	—	—
for photoelectric sensors BOS 6K	for BVS SC-..	for BVS SC-..	for BVS SC-..	for BVS SC-..
35 x 28 x 14.1 mm	Ø 32 x 43.4 mm	Ø 42 x 44 mm	Ø 29.5 x 53.7 mm	Ø 29.5 x 39.8 mm
—	—	—	—	—
—	Glass, polished	Glass, polished	Glass, polished	Glass, polished
Ø 1 mm (2x)	—	—	—	—
Oval holes 3.5 mm x 4.0 mm	Screws	Screws	Screws	Screws
—	6 mm	8 mm	12 mm	16 mm
—	100 mm	100 mm	100 mm	100 mm
Page 374	Page 374	Page 374	Page 374	Page 374

Sensors

RFID

Machine Vision and
Optical Identification

Human Machine
Interfaces

Safety

Industrial Networking

Software and
System Solutions

Power Supply

Connectivity

Accessories



	BAM02FF BAM LS-VS-004-C2/3-2514-2	BAM02FH BAM LS-VS-004-C2/3-3514-2	BAM02FJ BAM LS-VS-004-C2/3-5014-2	
Principle of operation	Camera lens	Camera lens	Camera lens	
Version	C-Mount	C-Mount	C-Mount	
Filter	—	—	—	
Use	for BVS SC-..	for BVS SC-..	for BVS SC-..	
Dimension	Ø 32 x 44.9 mm	Ø 29.5 x 41.4 mm	Ø 32 x 50.5 mm	
Material	—	Aluminum, black anodized	—	
Material sensing surface	Glass, polished	Glass, polished	Glass, polished	
Sensing surface	—	—	—	
Mounting	Screws	Screws	Screws	
Focal length	25 mm	35 mm	50 mm	
Minimum object distance (MOD)	100 mm	400 mm	300 mm	
Productview	Page 375	Page 375	Page 375	



	BAM02Y3 BAM LS-VS-004-C2/3-7532-2	BAM03H1 BAM LS-VS-008-C2/3-0528-5	BAM03H2 BAM LS-VS-008-C2/3-0814-5	BAM03H3 BAM LS-VS-008-C2/3-1214-5	BAM03H4 BAM LS-VS-008-C2/3-1614-5
Camera lens	Camera lens	Camera lens	Camera lens	Camera lens	Camera lens
C-Mount	C-Mount	C-Mount	C-Mount	C-Mount	C-Mount
—	—	—	—	—	—
for BVS SC-..	for industrial cameras BVS CA-.. <12 MP	for industrial cameras BVS CA-.. <12 MP	for industrial cameras BVS CA-.. <12 MP	for industrial cameras BVS CA-.. <12 MP	for industrial cameras BVS CA-.. <12 MP
Ø 34 x 63.6 mm	Ø 43 x 45.8 mm	Ø 33 x 50.1 mm	Ø 33 x 42.7 mm	Ø 33 x 41.4 mm	
Aluminum, black anodized	—	—	—	—	—
Glass, polished	Glass, polished	Glass, polished	Glass, polished	Glass, polished	Glass, polished
—	—	—	—	—	—
Screws	—	—	—	—	—
75 mm	5 mm	8 mm	12 mm	16 mm	
700 mm	100 mm	100 mm	150 mm	200 mm	
Page 375	Page 375	Page 375	Page 375	Page 375	Page 375



	BAM03H5 BAM LS-VS-008-C2/3-2514-5	BAM03H6 BAM LS-VS-008-C2/3-3520-5	BAM03H7 BAM LS-VS-008-C2/3-5028-5	
Principle of operation	Camera lens	Camera lens	Camera lens	
Version	C-Mount	C-Mount	C-Mount	
Filter	—	—	—	
Use	for industrial cameras BVS CA-.. <12 MP	for industrial cameras BVS CA-.. <12 MP	for industrial cameras BVS CA-.. <12 MP	
Dimension	Ø 33 x 47 mm	Ø 33 x 42.8 mm	Ø 33 x 60.2 mm	
Material	—	—	—	
Material sensing surface	Glass, polished	Glass, polished	Glass, polished	
Sensing surface	—	—	—	
Mounting	—	—	—	
Focal length	25 mm	35 mm	50 mm	
Minimum object distance (MOD)	200 mm	200 mm	200 mm	
Productview	Page 376	Page 376	Page 376	



	BAM03MN BAM LS-VS-009-C1/1-0625-0	BAM03MP BAM LS-VS-009-C1/1-0825-0	BAM03MR BAM LS-VS-009-C1/1-1218-0	BAM03MT BAM LS-VS-009-C1/1-1618-0	BAM03MU BAM LS-VS-009-C1/1-2518-0
Camera lens	Camera lens	Camera lens	Camera lens	Camera lens	Camera lens
C-Mount	C-Mount	C-Mount	C-Mount	C-Mount	C-Mount
—	—	—	—	—	—
for industrial cameras BVS CA-.. <12 MP	for industrial cameras BVS CA-.. 12 MP	for industrial cameras BVS CA-.. <12 MP	for industrial cameras BVS CA-.. 12 MP	for industrial cameras BVS CA-.. 12 MP	for industrial cameras BVS CA-.. 12 MP
Ø 84 x 79.1 mm	Ø 64 x 73.3 mm	Ø 51 x 73.8 mm	Ø 43 x 65.7 mm	Ø 43 x 69.4 mm	
Aluminum, black anodized	Aluminum, black anodized	Aluminum, black anodized	Aluminum, black anodized	Aluminum, black anodized	Aluminum, black anodized
Glass, polished	Glass, polished	Glass, polished	Glass, polished	Glass, polished	Glass, polished
—	—	—	—	—	—
Screws	Screws	Screws	Screws	Screws	Screws
6.5 mm	8.5 mm	12 mm	16 mm	25 mm	
100 mm	100 mm	100 mm	100 mm	100 mm	
Page 376	Page 376	Page 376	Page 376	Page 376	Page 376

Sensors

RFID

Machine Vision and
Optical Identification

Human Machine
Interfaces

Safety

Industrial Networking

Software and
System Solutions

Power Supply

Connectivity

Accessories



	BAM03MW BAM LS-VS-009-C1/1-3518-0	BAM03MY BAM LS-VS-009-C1/1-5018-0	BAM02MT BAM SP-X0-002-0,5-40-31-A	
Principle of operation	Camera lens	Camera lens	Spacer ring, piece	
Version	C-Mount	C-Mount	C-Mount	
Filter	—	—	—	
Use	for industrial cameras BVS CA-.. <12 MP	for industrial cameras BVS CA-.. 12 MP	for C-mount camera lenses	
Dimension	Ø 45 x 66 mm	Ø 45 x 74.5 mm	Ø 31 x 40 mm	
Material	Aluminum, black anodized	Aluminum, black anodized	—	
Material sensing surface	Glass, polished	Glass, polished	—	
Sensing surface	—	—	—	
Mounting	Screws	Screws	—	
Focal length	35 mm	50 mm	—	
Minimum object distance (MOD)	200 mm	200 mm	—	
Productview	Page 377	Page 377	Page 377	



	BAM01A7 BAM OF-VS-001-D-RX100	BAM02FR BAM OF-VS-002-BU-27	BAM02FZ BAM OF-VS-002-BU-30	BAM02FP BAM OF-VS-002-GN-27	BAM02FY BAM OF-VS-002-GN-30
	Optical filter BVS	Optical filter BVS	Optical filter BVS	Optical filter BVS	Optical filter BVS
	Diffusing plate, 1 aperture	Spectral filter	Spectral filter	Spectral filter	Spectral filter
	—	Blue	Blue	Green	Green
	for vision lighting ring light	for C-mount camera lenses	for C-mount camera lenses	for C-mount camera lenses	for C-mount camera lenses
	Ø 116 x 8 mm	Ø 29 x 6.5 mm	Ø 32 x 7 mm	Ø 29 x 6.5 mm	Ø 32 x 7 mm
	—	—	—	—	—
	Glass	Glass, polished	Glass, polished	Glass, polished	Glass, polished
	Ring Ø 104/Ø 64 mm	—	—	—	—
	Screw M1.6	Screws	Screws	Screws	Screws
	—	—	—	—	—
	—	—	—	—	—
	Page 377	Page 377	Page 377	Page 377	Page 377

Sensors

RFID

Machine Vision and
Optical Identification

Human Machine
Interfaces

Safety

Industrial Networking

Software and
System Solutions

Power Supply

Connectivity

Accessories



	BAM02MN BAM 0F-VS-002-IR-27	BAM02MP BAM 0F-VS-002-IR-30	BAM02MR BAM 0F-VS-002-IR-40	
Principle of operation	Optical filter BVS	Optical filter BVS	Optical filter BVS	
Version	Spectral filter	Spectral filter	Spectral filter	
Filter	Infrared	Infrared	Infrared	
Use	for C-mount camera lenses	for C-mount camera lenses	for C-mount camera lenses	
Dimension	Ø 29 x 6.5 mm	Ø 32 x 7 mm	Ø 42 x 7 mm	
Material	—	—	—	
Material sensing surface	Glass, polished	Glass, polished	Glass, polished	
Sensing surface	—	—	—	
Mounting	Screws	Screws	Screws	
Focal length	—	—	—	
Minimum object distance (MOD)	—	—	—	
Productview	Page 377	Page 377	Page 377	



	BAM02FK BAM OF-VS-002-PL-27	BAM02FT BAM OF-VS-002-PL-30	BAM02HO BAM OF-VS-002-PL-40	BAM02FM BAM OF-VS-002-RD-27	BAM02FW BAM OF-VS-002-RD-30
	Optical filter BVS	Optical filter BVS	Optical filter BVS	Optical filter BVS	Optical filter BVS
	Spectral filter	Spectral filter	Spectral filter	Spectral filter	Spectral filter
	polarized	polarized	polarized	Red	Red
	for C-mount camera lenses	for C-mount camera lenses	for C-mount camera lenses	for C-mount camera lenses	for C-mount camera lenses
	Ø 29 x 9.5 mm	Ø 32 x 10 mm	Ø 42 x 10 mm	Ø 29 x 6.5 mm	Ø 32 x 7 mm
	—	—	—	—	—
	Glass, polished	Glass, polished	Glass, polished	Glass, polished	Glass, polished
	—	—	—	—	—
	Screws	Screws	Screws	Screws	Screws
	—	—	—	—	—
	—	—	—	—	—
	Page 377	Page 378	Page 378	Page 377	Page 377

Sensors

RFID

Machine Vision and
Optical Identification

Human Machine
Interfaces

Safety

Industrial Networking

Software and
System Solutions

Power Supply

Connectivity

Accessories



	BAM02FL BAM 0F-VS-002-UV-27	BAM02FU BAM 0F-VS-002-UV-30	BAM02H1 BAM 0F-VS-002-UV-40	
Principle of operation	Optical filter BVS	Optical filter BVS	Optical filter BVS	
Version	Spectral filter	Spectral filter	Spectral filter	
Filter	Ultraviolet	Ultraviolet	Ultraviolet	
Use	for C-mount camera lenses	for C-mount camera lenses	for C-mount camera lenses	
Dimension	Ø 29 x 6.5 mm	Ø 32 x 7 mm	Ø 42 x 7 mm	
Material	—	—	—	
Material sensing surface	Glass, polished	Glass, polished	Glass, polished	
Sensing surface	—	—	—	
Mounting	Screws	Screws	Screws	
Focal length	—	—	—	
Minimum object distance (MOD)	—	—	—	
Productview	Page 377	Page 377	Page 377	



	BAM02FN BAM OF-VS-002-YE-27	BAM01U2 BAM LS-FO-002-F	BAM020P BAM LS-FO-003-M6-L	BAM030N BAM LS-FO-005-U1-22	BAM00NN BFO 02-PK-1
	Optical filter BVS	Adjustable optics module	Lens	Lens	Lens
	Spectral filter	Optics	Add-on lens	Add-on lens	Add-on lens
	Yellow	—	—	—	—
	for C-mount camera lenses	for fibre optics BFO M6	for photoelectric color sensors BFS 33M-GSS-...	for photoelectric color sensors BFS 33M-GSS-..., for BFO00H8, for BFB-...	for photoelectric fiber optics BFO
	Ø 29 x 6.5 mm	Ø 19 x 38 mm	Ø 28.2 x 38.9 mm	Ø 18 x 44.9 mm	Ø 4 x 11.2 mm
	—	—	—	Aluminum anodized, black	—
	Glass, polished	Glass, anti-glare	Glass	Glass	Glass
	—	convex, 1 aperture	convex, 1 aperture	—	convex, 1 aperture
	Screws	Thread M18x1	Thread M12x1	Thread M18x1	Threads M2.6x0.45
	—	—	—	—	—
	—	—	—	—	—
	Page 377	Page 378	Page 378	Page 378	Page 378

Sensors

RFID

Machine Vision and
Optical Identification

Human Machine
Interfaces

Safety

Industrial Networking

Software and
System Solutions

Power Supply

Connectivity

Accessories



	BAMOONR BFO 04-FL-1	BAMOONT BFO 04-FL-2	BAMOONW BFO 04-PK-1	
Principle of operation	Lens	Lens	Lens	
Version	Add-on lens	Add-on lens	Add-on lens	
Filter	—	—	—	
Use	for fibre optics BFO M4	for photoelectric color sensors BFS 33M-GSS-..., for BFB-...	for photoelectric fiber optics BFO	
Dimension	Ø 6.5 x 12 mm	Ø 6.5 x 15 mm	Ø 7 x 10.5 mm	
Material	—	—	—	
Material sensing surface	Glass	Glass	Glass	
Sensing surface	convex, 1 aperture	convex, 1 aperture	convex, 1 aperture	
Mounting	M4 thread	M4 thread	M4 thread	
Focal length	—	—	—	
Minimum object distance (MOD)	—	—	—	
Productview	Page 378	Page 378	Page 379	



	BAM0120 BKT M-PK-1	BAM0121 BKT M-PK-2	BAM0122 BKT M-PK-3	BAM00P2 BKT M-PK-4	BAM00P3 BKT M-PK-5
	Lens	Lens	Lens	Lens	Lens
	Add-on lens f= 18 mm	Add-on lens f= 9 mm	Add-on lens f= 28 mm	Intermediate ring with lens	Add-on lens f= 50 mm
	—	—	—	—	—
	for photoelectric luminescence sensors BLT, for photoelectric contrast sensors BKT, for photoelectric contrast sensors BKT 67M	for photoelectric contrast sensors BKT, for photoelectric contrast sensors BKT 67M	for photoelectric contrast sensors BKT, for photoelectric contrast sensors BKT 67M	for photoelectric contrast sensors BKT, for photoelectric contrast sensors BKT 67M	for photoelectric contrast sensors BKT, for photoelectric contrast sensors BKT 67M
	Ø 25 x 11 mm	Ø 25 x 8.5 mm	Ø 33 x 48.5 mm	Ø 25 x 15.5 mm	Ø 32 x 25 mm
	—	—	—	—	—
	Glass	Glass	Glass	Glass	Glass
	convex, 1 aperture	convex, 1 aperture	convex, 1 aperture	convex, 1 aperture	convex, 1 aperture
	Thread M20x0.7	Thread M20x0.7	Thread M20x0.7	Thread M20x0.7	Thread M20x0.7
	—	—	—	—	—
	—	—	—	—	—
	Page 379	Page 379	Page 379	Page 379	Page 379

Sensors

RFID

Machine Vision and
Optical Identification

Human Machine
Interfaces

Safety

Industrial Networking

Software and
System Solutions

Power Supply

Connectivity

Accessories



	BAM00NP BFO 02-UK-1	BAM00RO BOS 12-WS-1	BAM00R1 BOS 12-WS-2	
Principle of operation	Beam deflector BFO	Beam deflector BFO	Beam deflector BFO	
Version	90° lens, 1 mirror in housing	90° lens, 1 open mirror	90° lens, 1 open mirror	
Filter	—	—	—	
Use	for photoelectric fiber optics BFO	for photoelectric sensors BOS 12M	for photoelectric sensors BOS 12M, for photoelectric sensors BOS 12M	
Dimension	Ø 4 x 4 mm	16 x 35 x 24 mm	16 x 35 x 24 mm	
Material	—	—	—	
Material sensing surface	Glass	PET, coated Al	Glass, coated Al	
Sensing surface	Prism, cylindrical	Mirror surface	Mirror surface	
Mounting	Threads M2.6x0.45	Nut M12x1	Nut M12x1	
Focal length	—	—	—	
Minimum object distance (MOD)	—	—	—	
Productview	Page 379	Page 379	Page 380	



	BAMOORP BOS 18-UK-1	BAMOORR BOS 18-UK-10	BAMOORT BOS 18-UK-2	BAMOORU BOS 18-WS-1	BAM01ET BAM AP-US-001-M12-0
	Beam deflector BFO	Beam deflector BFO	Beam deflector BFO	Beam deflector BFO	Focusing attachment BUS
	90° lens, 2 mirrors in housing	90° lens, 1 mirror in housing	90° lens, 2 mirrors in housing	90° lens, 1 open mirror	Focusing attachment
	—	—	—	—	—
	for photoelectric sensors BOS 18M	for photoelectric sensors BOS 18K, for photoelectric sensors BOS 18M	for photoelectric sensors BOS 18M	for photoelectric sensors BOS 18M, for photoelectric sensors BOS 18K	for ultrasonic sensors BUS
	Ø 23.5 x 23.5 mm	Ø 23.5 x 23.5 mm	Ø 23.5 x 23.5 mm	22 x 42 x 30 mm	Ø 17 x 40 mm
	—	—	—	—	—
	PMMA	Glass, coated Al	PMMA	PET, coated Al	—
	Double lens, flat on outside	Mirror surface	Front pane	Mirror surface	Ø 5 mm
	Thread M18x1	Thread M18x1	Thread M18x1	Nut M18x1	Thread M12x1
	—	—	—	—	—
	—	—	—	—	—
	Page 380	Page 380	Page 380	Page 380	Page 380

Sensors

RFID

Machine Vision and Optical Identification

Human Machine Interfaces

Safety

Industrial Networking

Software and System Solutions

Power Supply

Connectivity

Accessories



	BAM01YU BAM AP-US-004-R06-Y	BAM01HJ BAM AP-US-002-M18-0	BAM01EP BAM BD-US-001-D20-4	
Principle of operation	Focusing attachment BUS	—	Beam deflector BUS	
Version	Focusing attachment	Focusing attachment	90° deflector, open	
Filter	—	—	—	
Use	for ultrasonic sensors BUS	for ultrasonic sensors BUS	for ultrasonic sensors BUS	
Dimension	12 x 18.4 x 28.1 mm	Ø 25 x 80 mm	50 x 105 x 50 mm	
Material	—	—	—	
Material sensing surface	—	—	—	
Sensing surface	Ø 3 mm	Ø 11 mm	Deflection surface	
Mounting	Adhesive	Thread M18x1	Nut M18x1, Screw M5	
Focal length	—	—	—	
Minimum object distance (MOD)	—	—	—	
Productview	Page 380	Page 380	Page 381	



BAM01ER BAM BD-US-001-D32-4				
Beam deflector BUS				
90° deflector, open				
—				
for ultrasonic sensors BUS				
50 x 105 x 50 mm				
—				
—				
Deflection surface				
Nut M30x1.5, Screw M5				
—				
—				
Page 381				

Sensors

RFID

Machine Vision and
Optical Identification

Human Machine
Interfaces

Safety

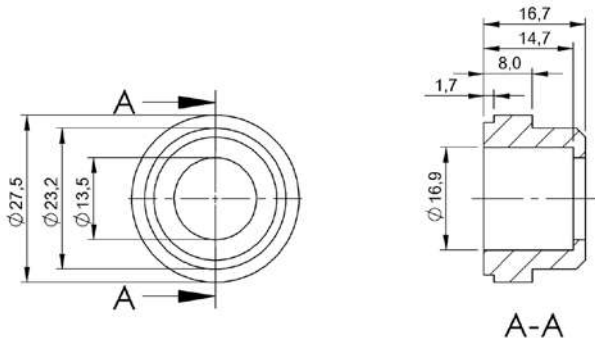
Industrial Networking

Software and
System Solutions

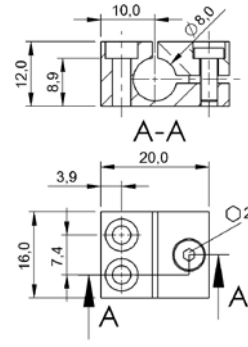
Power Supply

Connectivity

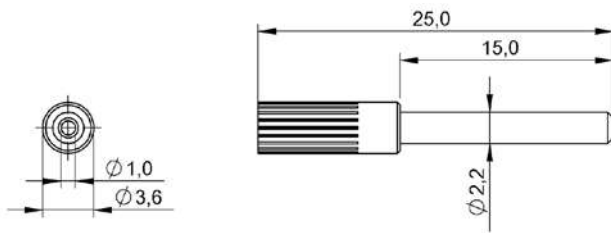
Accessories



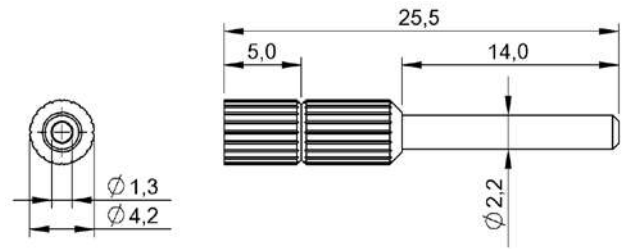
BAM00NM



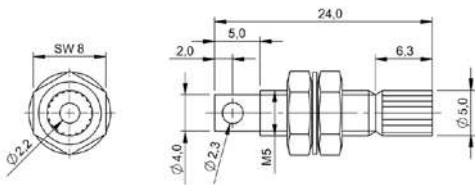
BAM00PO



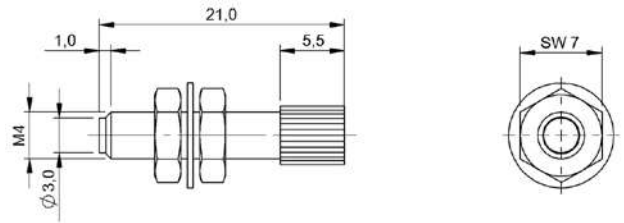
BAM000J



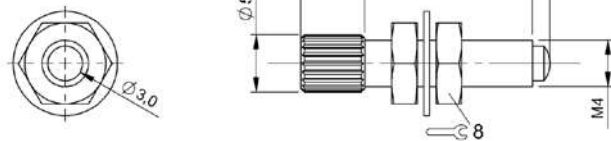
BAM00P1



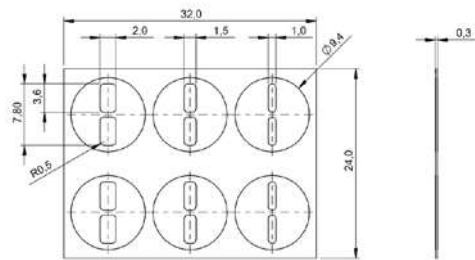
BF0005F



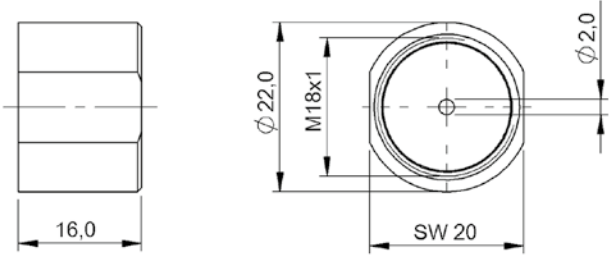
BF0005J



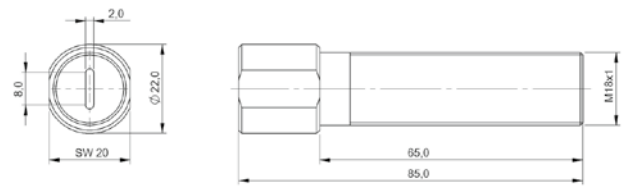
BF0005L



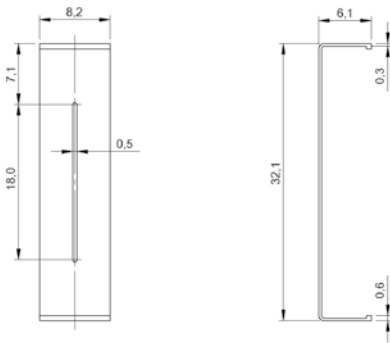
BAM00PW



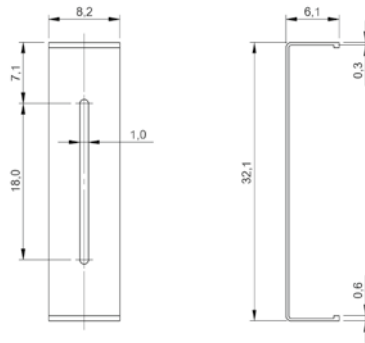
BAM00R6



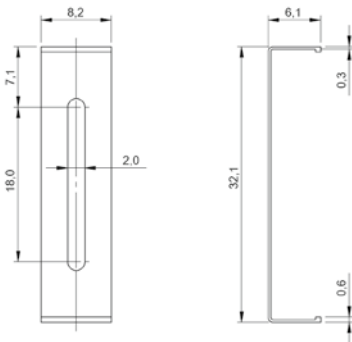
BAM00R7



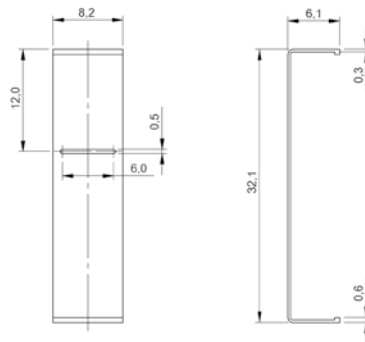
BAM00TU



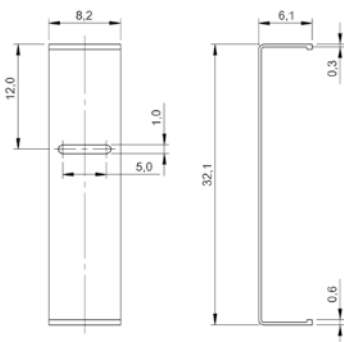
BAM00TW



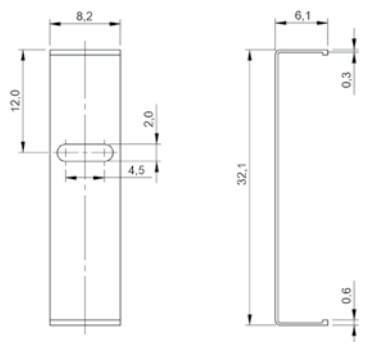
BAM00TY



BAM00TZ



BAM00U0



BAM00U1

Sensors

RFID

Machine Vision and
Optical Identification

Human Machine
Interfaces

Safety

Industrial Networking

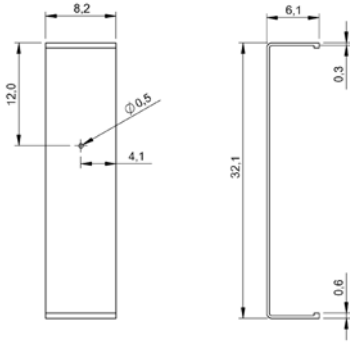
Software and
System Solutions

Power Supply

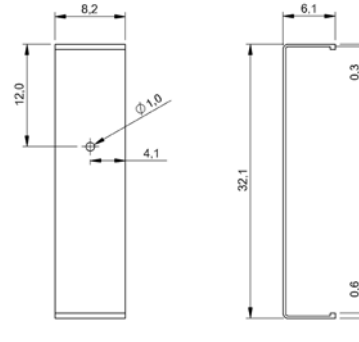
Connectivity

Accessories

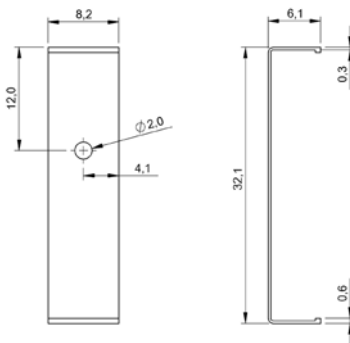
374 | Accessories | Reflectors, Fibers, Optics



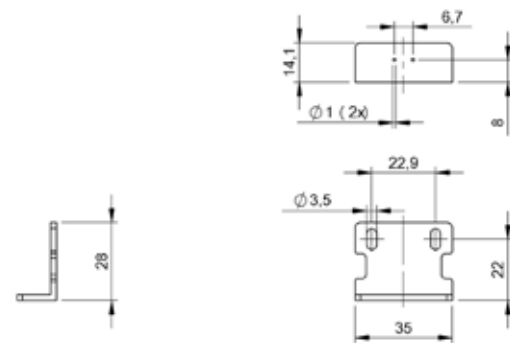
BAM00U2



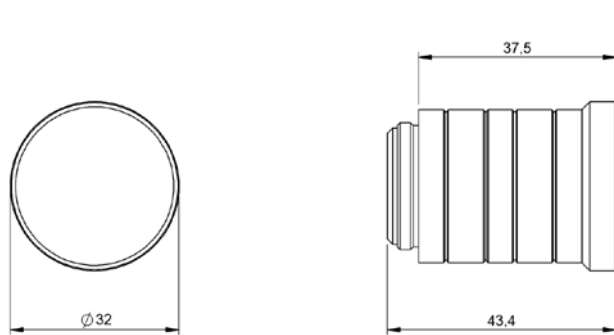
BAM00U3



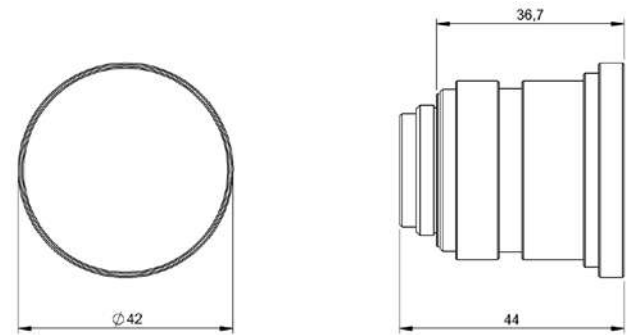
BAM00U4



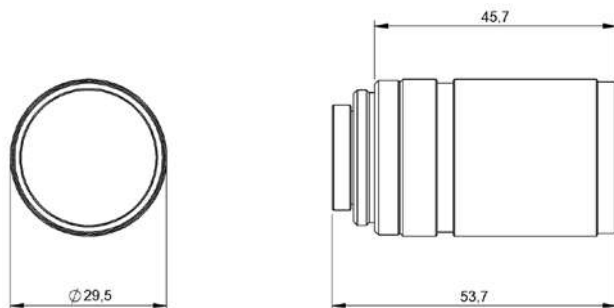
BAM02PM



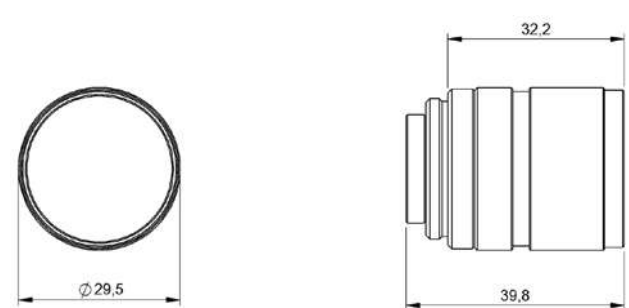
BAM029R



BAM02FA



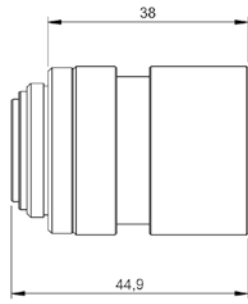
BAM02FC



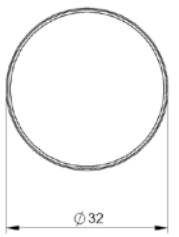
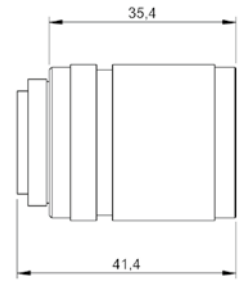
BAM02FE



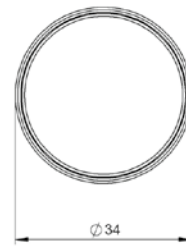
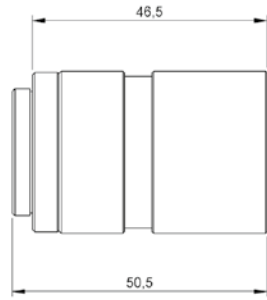
BAM02FF



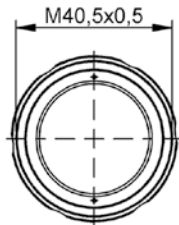
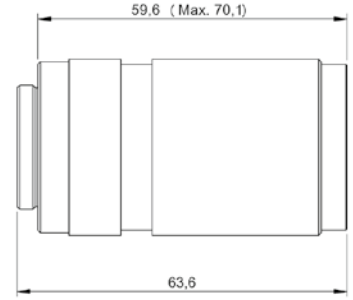
BAM02FH



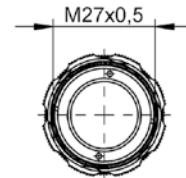
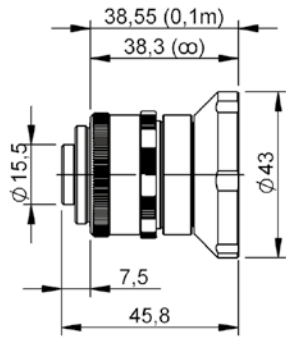
BAM02FJ



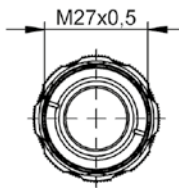
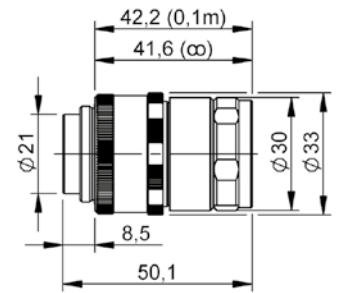
BAM02Y3



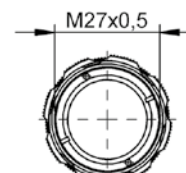
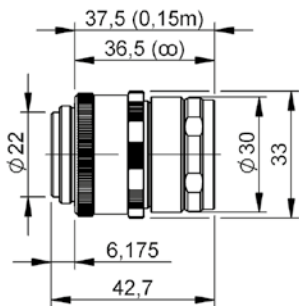
BAM03H1



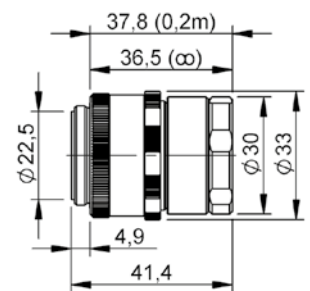
BAM03H2

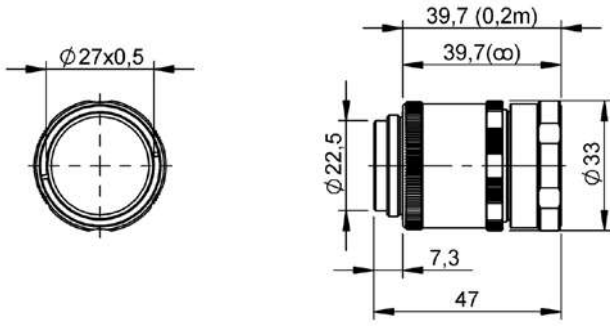


BAM03H3

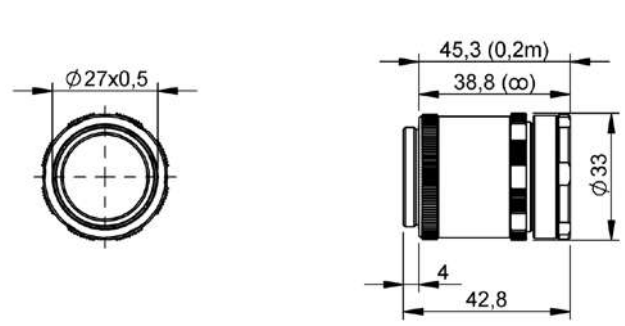


BAM03H4

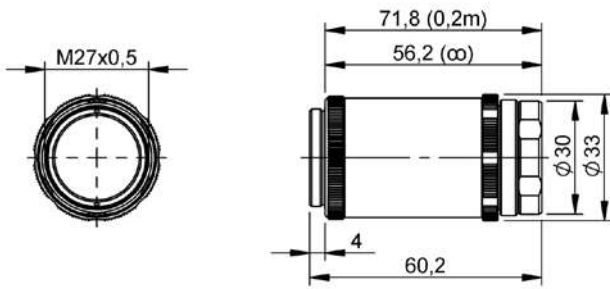




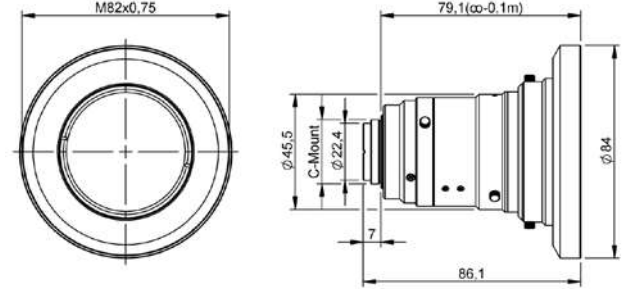
BAM03H5



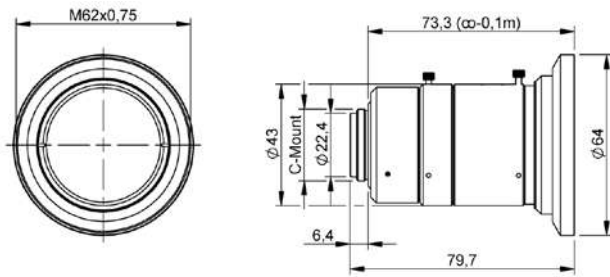
BAM03H6



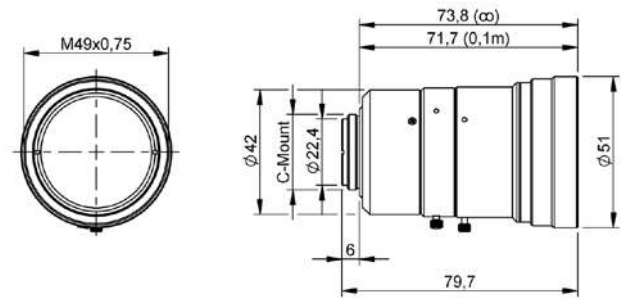
BAM03H7



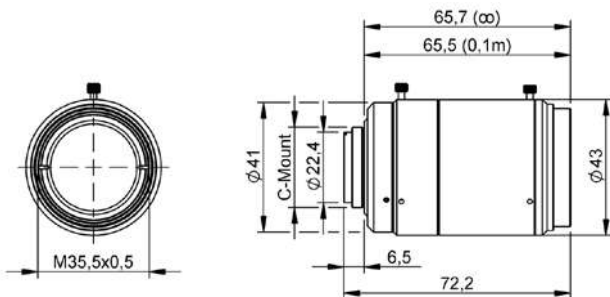
BAM03MN



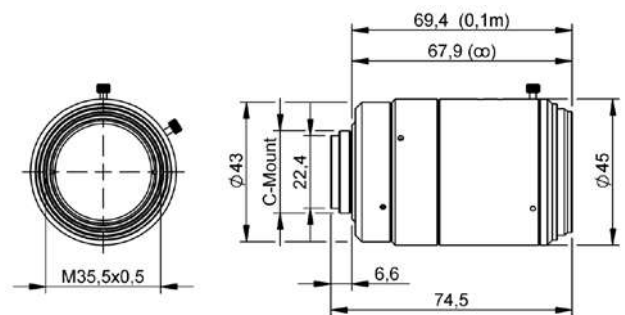
BAM03MP



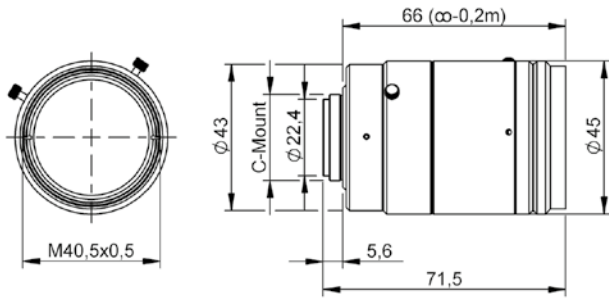
BAM03MR



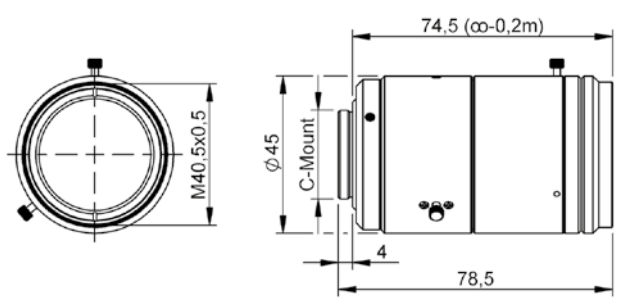
BAM03MT



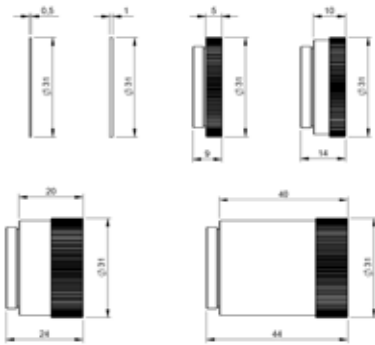
BAM03MU



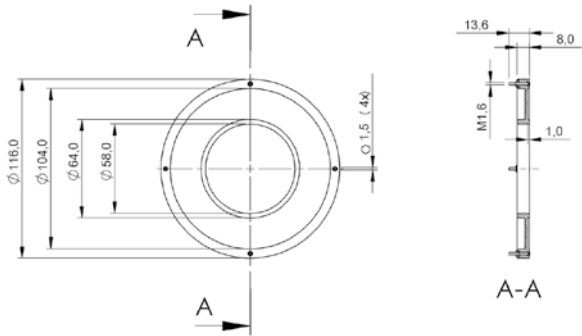
BAM03MW



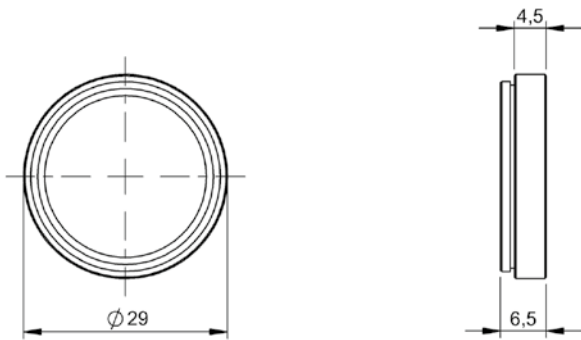
BAM03MY



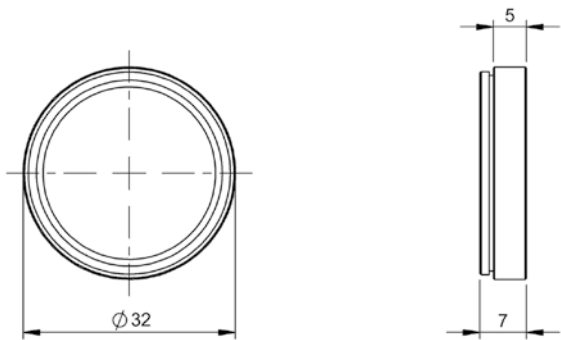
BAM02MT



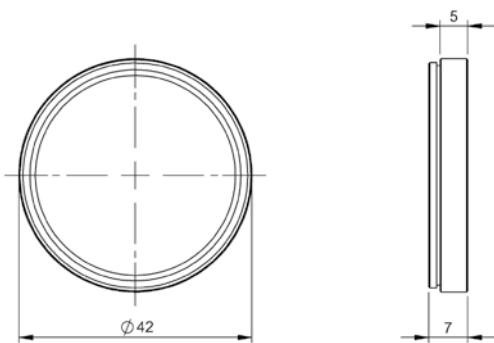
BAM01A7



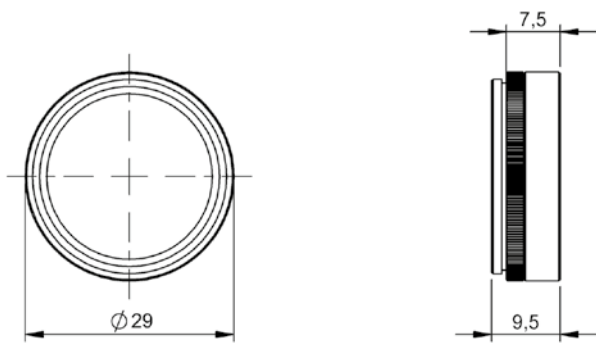
BAM02FR, BAM02FP, BAM02MN, BAM02FM, BAM02FL, BAM02FN



BAM02FZ, BAM02FY, BAM02MP, BAM02FW, BAM02FU



BAM02MR, BAM02H1



BAM02FK

Sensors

RFID

Machine Vision and Optical Identification

Human Machine Interfaces

Safety

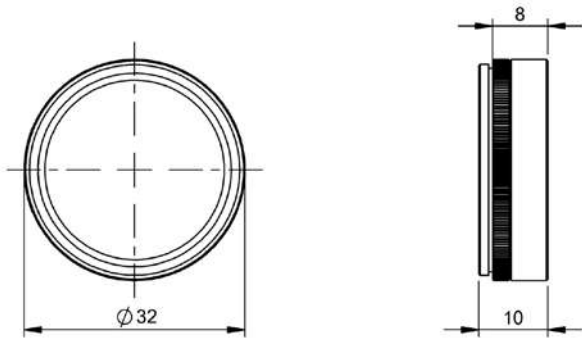
Industrial Networking

Software and System Solutions

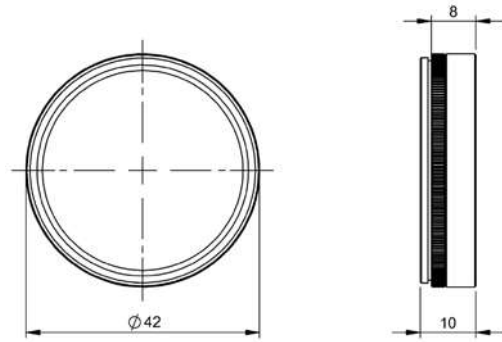
Power Supply

Connectivity

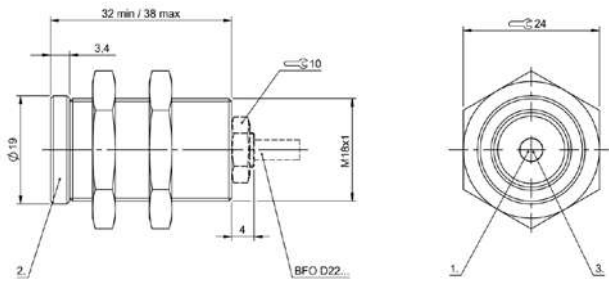
Accessories



BAM02FT

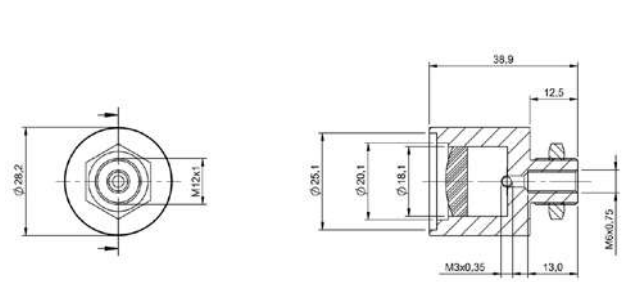


BAM02H0

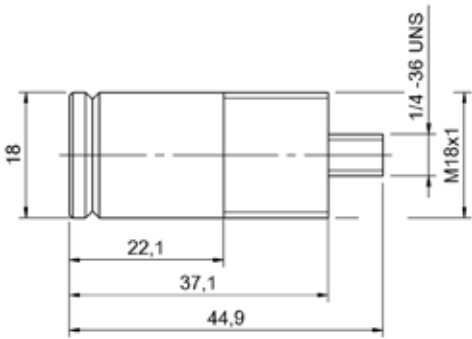


1) Receiver, 2) Knurl, 3) Emitter

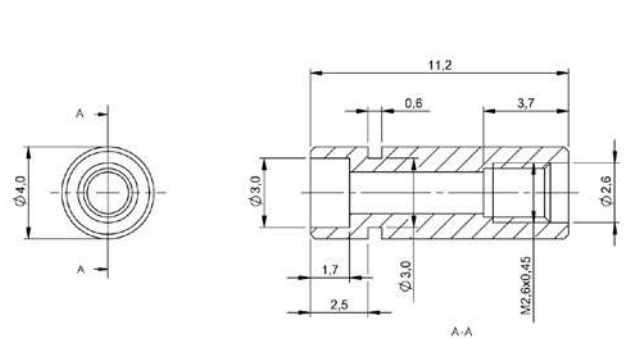
BAM01U2



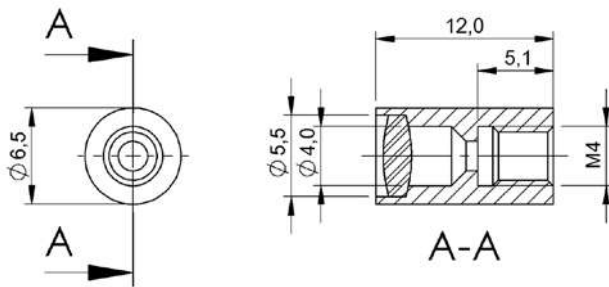
BAM020P



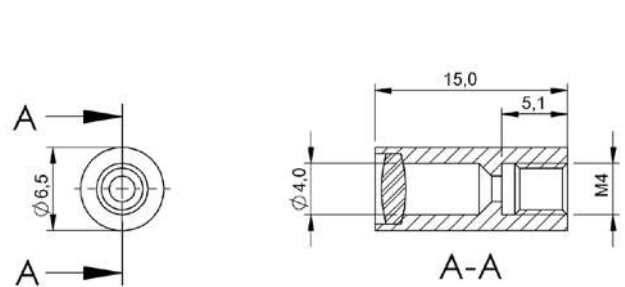
BAM030N



BAM002P



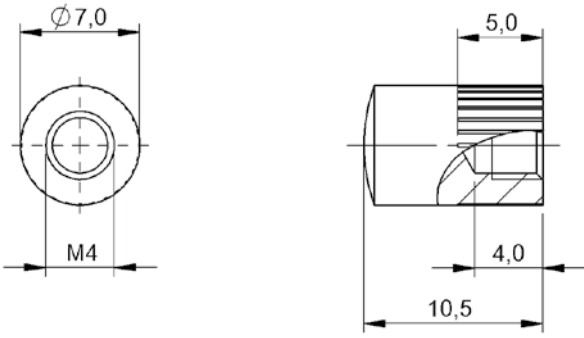
BAM003N



BAM000NR

BAM00NR

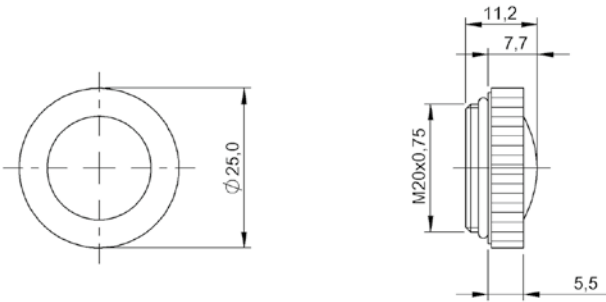
BAM00NT



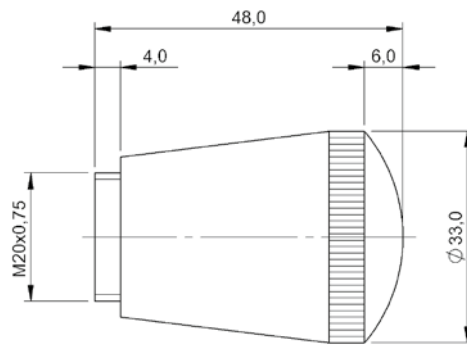
BAM00NW



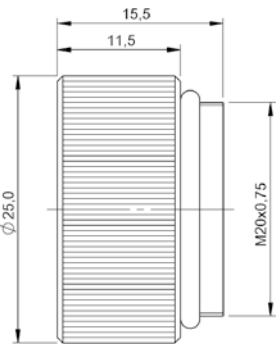
BAM0120



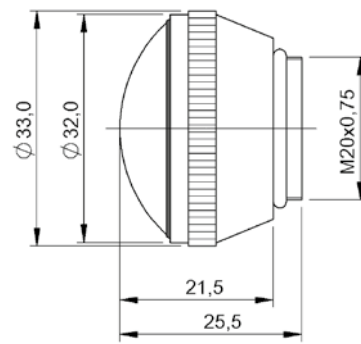
BAM0121



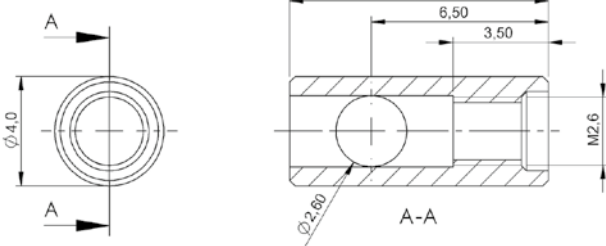
BAM0122



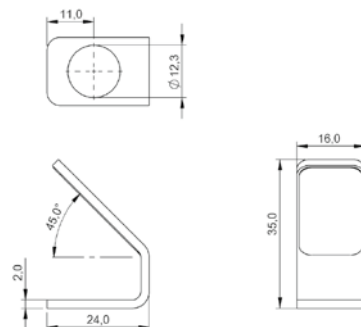
BAM00P2



BAM00P3



BAM00NP



BAM00RO

Sensors

RFID

Machine Vision and Optical Identification

Human Machine Interfaces

Safety

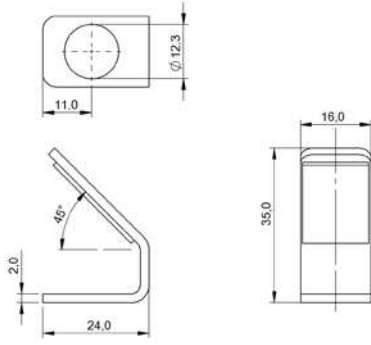
Industrial Networking

Software and System Solutions

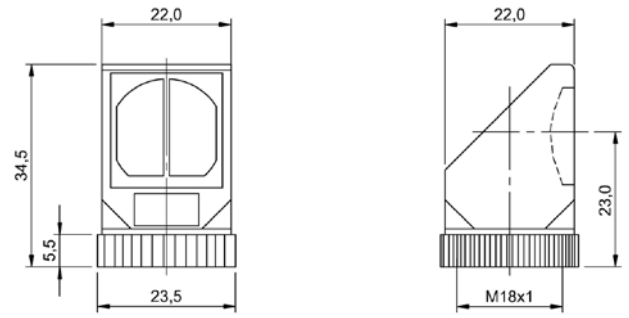
Power Supply

Connectivity

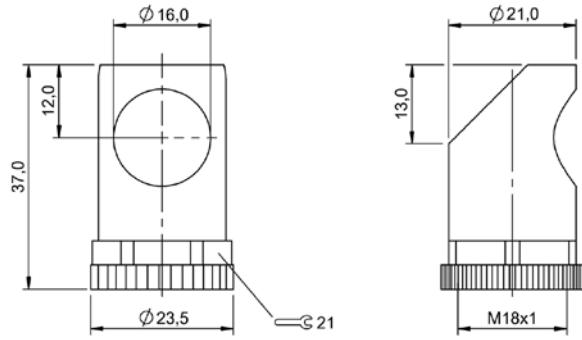
Accessories



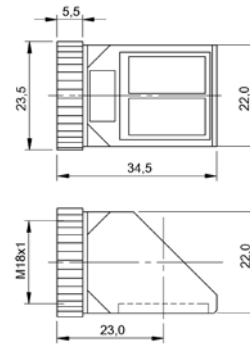
BAM00R1



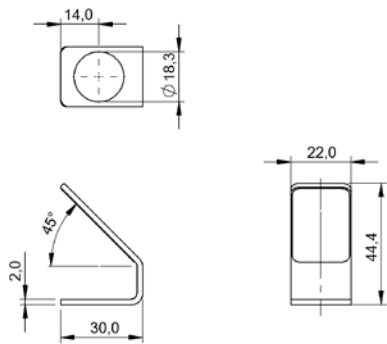
BAM00RP



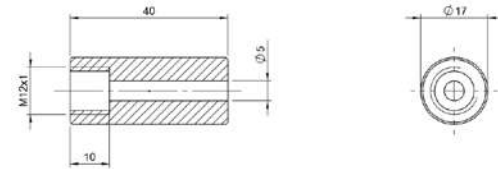
BAM00RR



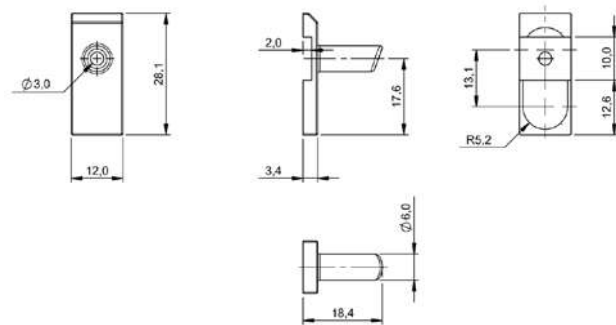
BAM00RT



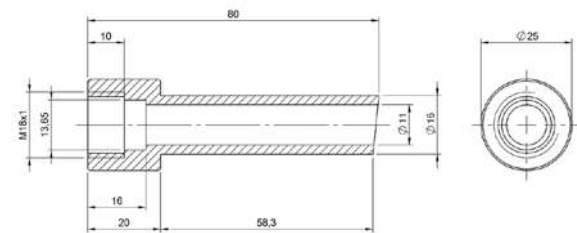
BAM00RU



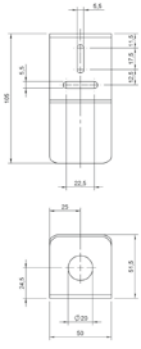
BAM01ET



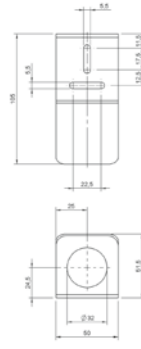
BAM01YU



BAM01HJ



BAM01EP



BAM01ER





Mechanical protection for sensors and devices

MECHANICAL PROTECTION



Our protective caps, protective housings, protective covers, protective tubes and sabotage protection prevent any mechanical damage to the sensor or a device.

Select from different versions – even for sophisticated applications.

The most important benefits

- High-quality and long service life
- Simple to install
- Compatibility



	BAM0183 BKS-PW-26/20-SI-TR-03,5	BAM0182 BKS-PW-51/30-SI-TR-11	BAM021E BAM PT-XA-005-260-T-R20	
Short description	Silicone strip	Silicone strip	Silicone strip	
Use	for cable guard, for weld protection	for cable guard, for weld protection	for cable guard, for weld protection	
Material	Silicone 60 white, translucent	Silicone 60 white, translucent	Silicone 60 white, translucent	
Dimension	1.6 x 26 x 3658 mm	1.6 x 51 x 10970 mm	1.6 x 26 x 20000 mm	
Ambient temperature	-65...260 °C	-65...260 °C	-40...180 °C	
Productview	Page 388	Page 388	Page 388	



	BAM01R2 BAM PT-XA-002-127-2-30	BAM0231 BAM PT-XA-002-190-2-R15	BAM01UY BAM PT-XA-002-190-2-30	
Short description	Silicone-fiberglass tube	Silicone-fiberglass tube	Silicone-fiberglass tube	
Use	for cable guard, for weld protection	for cable guard, for weld protection	for cable guard, for weld protection	
Material	Fiberglass sheathed Silicon rubber, red lion oxide red silicone rubber	Fiberglass sheathed Silicon rubber, red	Fiberglass sheathed Silicon rubber, red lion oxide red silicone rubber	
Dimension	Ø 20.7 x 30480 mm	Ø 26 x 15000 mm	Ø 27.1 x 30480 mm	
Ambient temperature	-55...260 °C	-40...250 °C	-55...260 °C	
Productview	Page 388	Page 388	Page 388	



BAM021F BAM PT-XA-005-510-T-R20	BAM02E3 BAM PT-XA-006-M91-T-00,9	BAM0227 BAM PT-XA-002-100-2-R15	BAM0230 BAM PT-XA-002-130-2-R15	
Silicone strip	Silicone film	Silicone-fiberglass tube	Silicone-fiberglass tube	
for cable guard, for weld protection	for cable guard, for weld protection	for cable guard, for weld protection	for cable guard, for weld protection	
Silicone 60 white, translucent	Silicone	Fiberglass sheathed Silicon rubber, red	Fiberglass sheathed Silicon rubber, red	
1.6 x 51 x 20000 mm	1.6 x 914 x 914 mm	Ø 17 x 15000 mm	Ø 20 x 15000 mm	
-40...180 °C	-65...233 °C	-40...250 °C	-40...250 °C	
Page 388	Page 388	Page 388	Page 388	



BAM0232 BAM PT-XA-002-380-2-R15	BAM0233 BAM PT-XA-002-500-2-R15	BAM017E BKS-PT-07/16-SI-15	BAM0212 BAM PT-XA-004-070-T-R16	BAM017H BKS-PT-10/16-SI-15
Silicone-fiberglass tube	Silicone-fiberglass tube	Silicone tube	Silicone tube	Silicone tube
for cable guard, for weld protection	for cable guard, for weld protection	for cable guard, for weld protection	for cable guard, for weld protection	for cable guard, for weld protection
Fiberglass sheathed Silicon rubber, red	Fiberglass sheathed Silicon rubber, red	Silicone 60 white, translucent	Silicone 60 white, translucent	Silicone 60 white, translucent
Ø 45 x 15000 mm	Ø 57 x 15000 mm	Ø 10.2 x 15000 mm	Ø 10.2 x 16000 mm	Ø 13.2 x 15000 mm
-40...250 °C	-40...250 °C	-60...260 °C	-40...200 °C	-60...260 °C
Page 388	Page 388	Page 388	Page 388	Page 389

Sensors

RFID

Machine Vision and Optical Identification

Human Machine Interfaces

Safety

Industrial Networking

Software and System Solutions

Power Supply

Connectivity

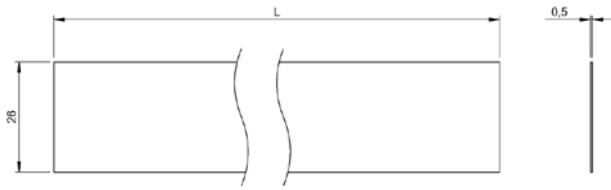
Accessories



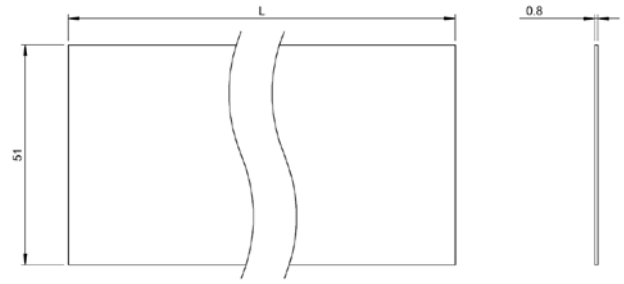
	BAM0213 BAM-PT-XA-004-100-T-R16	BAM017L BKS-PT-13/16-SI-15	BAM0214 BAM-PT-XA-004-130-T-R16	
Short description	Silicone tube	Silicone tube	Silicone tube	
Use	for cable guard, for weld protection	for cable guard, for weld protection	for cable guard, for weld protection	
Material	Silicone 60 white, translucent	Silicone 60 white, translucent	Silicone 60 white, translucent	
Dimension	Ø 13.2 x 16000 mm	Ø 16.2 x 15000 mm	Ø 16.2 x 16000 mm	
Ambient temperature	-40...200 °C	-60...260 °C	-40...200 °C	
Productview	Page 388	Page 389	Page 388	



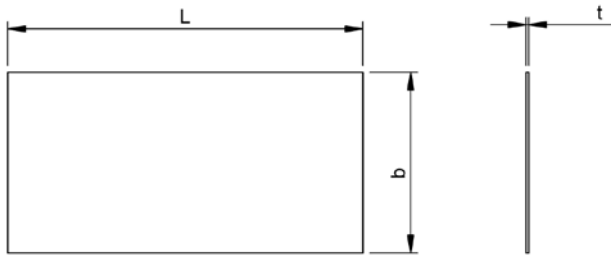
	BAM017Z BKS-PT-50/16-SI-07.5	BAM0217 BAM-PT-XA-004-500-T-R16		
Short description	Silicone tube	Silicone tube		
Use	for cable guard, for weld protection	for cable guard, for weld protection		
Material	Silicone 60 white, translucent	Silicone 60 white, translucent		
Dimension	Ø 53.2 x 7500 mm	Ø 53.2 x 16000 mm		
Ambient temperature	-60...260 °C	-40...200 °C		
Productview	Page 389	Page 388		



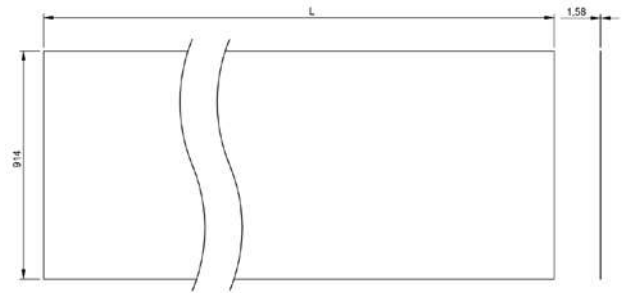
BAM0183



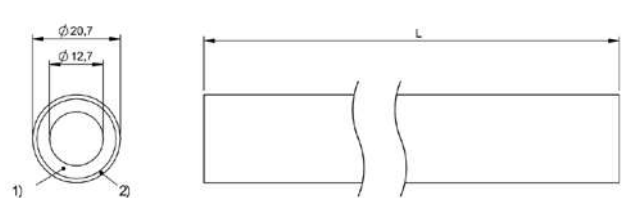
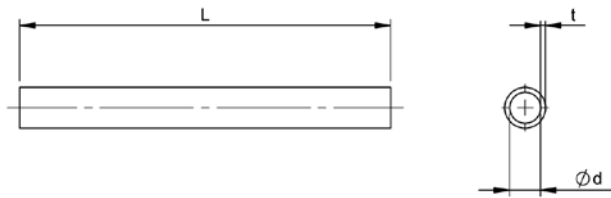
BAM0182



BAM021E, BAM021F



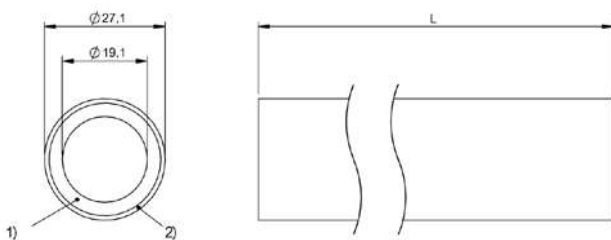
BAM02E3



1) Fiberglass braided sleeve, 2) Red iron oxide flame protection

BAM022Z, BAM0230, BAM0231, BAM0232, BAM0233, BAM0212, BAM0213, BAM0214, BAM0215, BAM0216, BAM0217

BAM01R2

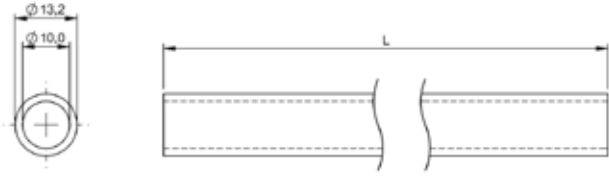


1) Fiberglass braided sleeve, 2) Red iron oxide flame protection

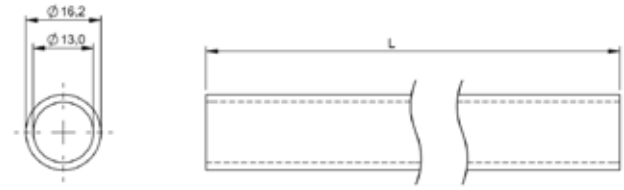


BAM017E

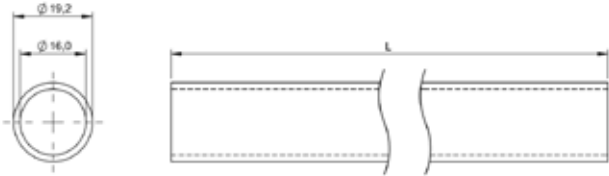
BAM01UY



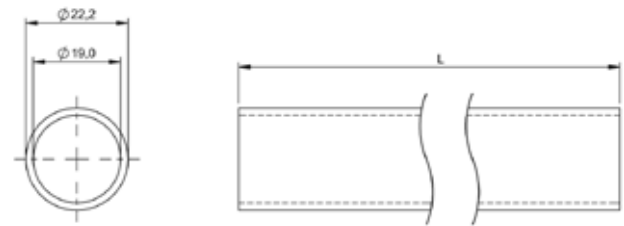
BAM017H



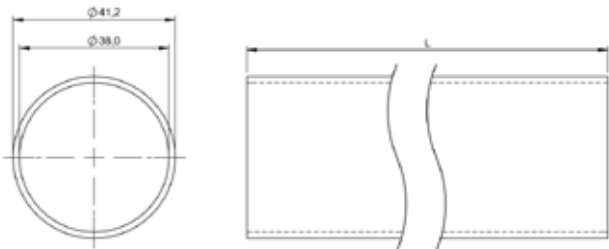
BAM017L



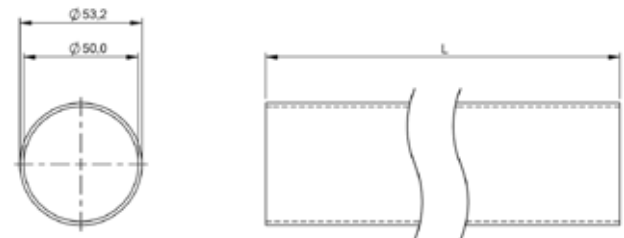
BAM017N



BAM017R



BAM017U



BAM017Z



	BAM02JE BES 08-FA-17	BAM009L BES 08-FA-49	BAM009M BES 08-FA-89	
Short description	Fixed stop	Fixed stop	Fixed stop	
Use	for inductive sensors Ø4, for inductive sensors BES M8	for inductive sensors Ø4, for inductive sensors BES M8	for inductive sensors Ø4, for inductive sensors BES M8	
Material	Stainless steel	Stainless steel	Stainless steel	
Dimension	Ø 8 x 28 mm	Ø 8 x 57 mm	Ø 8 x 97 mm	
Mounting	Screws M8	Screws M8	Screws M8	
Switching output	—	—	—	
Connection	—	—	—	
Ambient temperature	-25...100 °C	-25...100 °C	-25...100 °C	
Productview	Page 400	Page 400	Page 400	



	BAM00AZ BES 12-FA-70	BAM009N BES 08-FA-BS-4,0-G	BAM009P BES 08-FA-BS-4,0-W	BAM009R BES 08-FA-BS-8,0-G	BAM009T BES 08-FA-BS-8,0-W
	Fixed stop	Fixed stop	Fixed stop	Fixed stop	Fixed stop
	for inductive sensors Ø8, for inductive sensors BES M8	for inductive sensors Ø4, for inductive sensors BES M8	for inductive sensors Ø4, for inductive sensors BES M8	for inductive sensors Ø8, for inductive sensors BES M8	for inductive sensors BES M8
	Stainless steel	Aluminum anodized, red	Aluminum anodized, red	Aluminum anodized, red	Aluminum anodized, red
	Ø 12 x 78 mm	28 x 12 x 20 mm	31.8 x 12 x 20 mm	28 x 12 x 20 mm	31.8 x 12 x 20 mm
	Screws M12	Clamps	Clamps	Clamps	Clamps
	—	—	—	—	—
	—	—	—	—	—
	-25...100 °C	-25...100 °C	-25...100 °C	-25...100 °C	-25...100 °C
	Page 400	Page 400	Page 400	Page 400	Page 400



	BAM01AZ BAM FS-XE-001-M5-4	BAM019Y BAM FS-XE-003-M5-4	BAM019W BAM FS-XE-004-M8-4	
Short description	Positive stop tube switch	Positive stop tube switch	Positive stop tube switch	
Use	for inductive sensors BES M5, for inductive sensors Ø5	for inductive sensors BES M5, for inductive sensors Ø5	for inductive sensors BES M8	
Material	Stainless steel	Stainless steel	Stainless steel	
Dimension	Ø 8 x 35 mm	Ø 19 x 35 mm	Ø 19 x 53 mm	
Mounting	Screws M8	Screws M12	Screws M12	
Switching output	—	—	—	
Connection	—	—	—	
Ambient temperature	—	—	—	
Productview	Page 401	Page 401	Page 401	



	BAM01C0 BAM FS-XE-002-D4-4	SET0167 BAV BP-PH-00100-01	SET0168 BAV BP-PH-00100-02	SET017U BAV BP-PH-00100-11	SET016C BAV BP-PH-00102-01
	Positive stop tube switch	Plunger probe with chisel tip	Plunger probe with chisel tip	Plunger probe with chisel tip	Plunger probe with internal threads
	for inductive sensors Ø4	for positive stop plunger probe	for positive stop plunger probe	for positive stop plunger probe	for positive stop plunger probe
	Stainless steel	Brass Chrome-plated Steel Bronze Stainless steel Chrome-plated	Brass Chrome-plated Steel Bronze Stainless steel Chrome-plated	Brass Chrome-plated Steel Bronze Stainless steel Chrome-plated	Brass Chrome-plated Steel Bronze Stainless steel Chrome-plated
	Ø 13 x 47 mm	Ø 18 x 120.5 mm	Ø 18 x 125.6 mm	Ø 18 x 120.5 mm	Ø 18 x 120.5 mm
	Screws M8	Screws M18	Screws M18	Screws M18	Screws M18
	—	PNP normally open (NO)	PNP normally open (NO)	NPN normally open (NO)	PNP normally open (NO)
	—	Connector, M8x1-Male, 3-pin	Cable with connector, M12x1-Male, 4-pin, 0.20 m, PUR	Connector, M8x1-Male, 3-pin	Connector, M8x1-Male, 3-pin
	—	0...60 °C	0...60 °C	0...60 °C	0...60 °C
	Page 401	Page 401	Page 401	Page 401	Page 401

Sensors

RFID

Machine Vision and
Optical Identification

Human Machine
Interfaces

Safety

Industrial Networking

Software and
System Solutions

Power Supply

Connectivity

Accessories



	SET016E BAV BP-PH-00102-02	SET0180 BAV BP-PH-00102-11	SET0181 BAV BP-PH-00102-12	
Short description	Plunger probe with internal threads	Plunger probe with internal threads	Plunger probe with internal threads	
Use	for positive stop plunger probe	for positive stop plunger probe	for positive stop plunger probe	
Material	Brass Chrome-plated Steel Bronze Stainless steel Chrome-plated	Brass Chrome-plated Steel Bronze Stainless steel	Brass Chrome-plated Steel Bronze Stainless steel Chrome-plated	
Dimension	Ø 18 x 125.6 mm	Ø 18 x 120.5 mm	Ø 18 x 125.6 mm	
Mounting	Screws M18	Screws M18	Screws M18	
Switching output	PNP normally open (NO)	NPN normally open (NO)	NPN normally open (NO)	
Connection	Cable with connector, M12x1-Male, 4-pin, 0.20 m, PUR	Connector, M8x1-Male, 3-pin	Cable with connector, M12x1-Male, 4-pin, 0.20 m, PUR	
Ambient temperature	0...60 °C	0...60 °C	0...60 °C	
Productview	Page 401	Page 401	Page 401	



	SET0169 BAV BP-PH-00101-01	SET016A BAV BP-PH-00101-02	SET017Y BAV BP-PH-00101-11	SET017Z BAV BP-PH-00101-12	SET015A BAV BP-PH-00093-01
	Plunger probe with flat tip	Plunger probe with flat tip	Plunger probe with flat tip	Plunger probe with flat tip	Plunger probe with round tip
	for positive stop plunger probe	for positive stop plunger probe	for positive stop plunger probe	for positive stop plunger probe	for positive stop plunger probe
	Brass Chrome-plated Steel Bronze Stainless steel Chrome-plated	Brass Chrome-plated Steel Bronze Stainless steel Chrome-plated	Brass Chrome-plated Steel Bronze Stainless steel Chrome-plated	Brass Chrome-plated Steel Bronze Stainless steel Chrome-plated	Brass Chrome-plated Steel Bronze Stainless steel Chrome-plated
	Ø 18 x 120.5 mm	Ø 18 x 125.6 mm	Ø 18 x 120.5 mm	Ø 18 x 125.6 mm	Ø 18 x 120.5 mm
	Screws M18	Screws M18	Screws M18	Screws M18	Screws M18
	PNP normally open (NO)	PNP normally open (NO)	NPN normally open (NO)	NPN normally open (NO)	PNP normally open (NO)
	Connector, M8x1-Male, 3-pin	Cable with connector, M12x1-Male, 4-pin, 0.20 m, PUR	Connector, M8x1-Male, 3-pin	Cable with connector, M12x1-Male, 4-pin, 0.20 m, PUR	Connector, M8x1-Male, 3-pin
	0...60 °C	0...60 °C	0...60 °C	0...60 °C	0...60 °C
	Page 402	Page 402	Page 402	Page 402	Page 402

Sensors

RFID

Machine Vision and
Optical Identification

Human Machine
Interfaces

Safety

Industrial Networking

Software and
System Solutions

Power Supply

Connectivity

Accessories



	SET015F BAV BP-PH-00093-02	SET017R BAV BP-PH-00093-11	SET017T BAV BP-PH-00093-12	
Short description	Plunger probe with round tip	Plunger probe with round tip	Plunger probe with round tip	
Use	for positive stop plunger probe	for positive stop plunger probe	for positive stop plunger probe	
Material	Brass Chrome-plated Steel Bronze Stainless steel Chrome-plated	Brass Chrome-plated Steel Bronze Stainless steel Chrome-plated	Brass Chrome-plated Steel Bronze Stainless steel Chrome-plated	
Dimension	Ø 18 x 125.6 mm	Ø 18 x 120.5 mm	Ø 18 x 125.6 mm	
Mounting	Screws M18	Screws M18	Screws M18	
Switching output	PNP normally open (NO)	NPN normally open (NO)	NPN normally open (NO)	
Connection	Cable with connector, M12x1-Male, 4-pin, 0.20 m, PUR	Connector, M8x1-Male, 3-pin	Cable with connector, M12x1-Male, 4-pin, 0.20 m, PUR	
Ambient temperature	0...60 °C	0...60 °C	0...60 °C	
Productview	Page 402	Page 402	Page 402	



	BAM025T BAM TG-AM-015-001	BAM02YU BAM TG-AM-015-006	BAM02JW BAM TG-AM-015-004	BAM02JY BAM TG-AM-015-005	BAM02JU BAM TG-AM-015-003
	Disc tip	Disc tip	Tip M8	Tip M10	Tip M4
	for positive stop plunger probe	for positive stop plunger probe	for positive stop plunger probe	for positive stop plunger probe	for positive stop plunger probe
	Stainless steel (1.7225) Zinc coated, light	Stainless steel (1.7225) Zinc coated, light	Stainless steel (1.7225) Zinc coated, light	Stainless steel (1.7225) Zinc coated, light	Stainless steel (1.7225) Zinc coated, light
	Ø 50.8 x 12 mm	Ø 25.4 x 12 mm	Ø 9.5 x 29 mm	Ø 9.5 x 29 mm	Ø 9.5 x 29 mm
	Screw M6	—	Screw M6	Screw M6	Screw M6
	—	—	—	—	—
	—	—	—	—	—
	0...60 °C	0...60 °C	0...60 °C	0...60 °C	0...60 °C
	Page 402	Page 402	Page 402	Page 402	Page 403

Sensors

RFID

Machine Vision and
Optical Identification

Human Machine
Interfaces

Safety

Industrial Networking

Software and
System Solutions

Power Supply

Connectivity

Accessories



	BAM027T BAM TG-AM-015-002	BAM0260 BAM FS-XE-005-M8-2-01T	BAM025U BAM FS-XE-005-M8-2-01P	
Short description	Tip M6	Spare parts set for plunger probe	Spare parts set for plunger probe	
Use	for positive stop plunger probe	for positive stop plunger probe	for positive stop plunger probe	
Material	Stainless steel (1.7225) Zinc coated, light	Brass Chrome-plated Steel Bronze Stainless steel Chrome-plated	Brass Chrome-plated Steel Stainless steel Bronze Chrome-plated	
Dimension	Ø 9.5 x 29 mm	Ø 18 x 120.5 mm	Ø 18 x 125.6 mm	
Mounting	Screw M6	Screws	M8x1	
Switching output	—	—	—	
Connection	—	—	—	
Ambient temperature	0...60 °C	0...60 °C	0...60 °C	
Productview	Page 403	Page 403	Page 403	



BAM025W BAM FS-XE-005-M8-2-01F	BAM022W BAM FS-XE-005-M8-2-01R			
Spare parts set for plunger probe	Spare parts set for plunger probe			
for positive stop plunger probe	for positive stop plunger probe			
Brass Chrome-plated Steel Stainless steel Bronze Chrome-plated	Brass Chrome-plated Steel Bronze Stainless steel Chrome-plated			
Ø 18 x 120.5 mm	Ø 18 x 125.3 mm			
Screws	Screws			
—	—			
—	—			
0...60 °C	0...60 °C			
Page 403	Page 403			

Sensors

RFID

Machine Vision and
Optical Identification

Human Machine
Interfaces

Safety

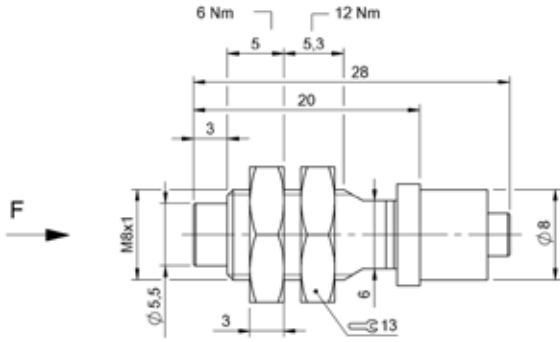
Industrial Networking

Software and
System Solutions

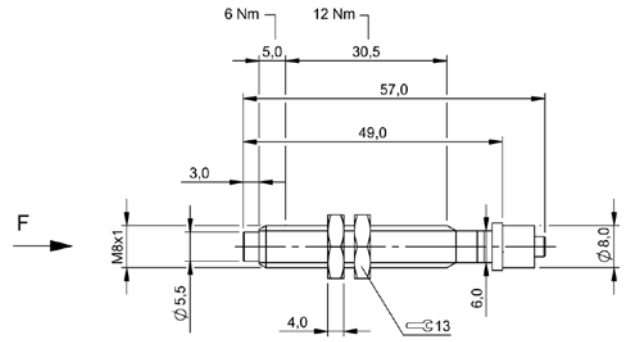
Power Supply

Connectivity

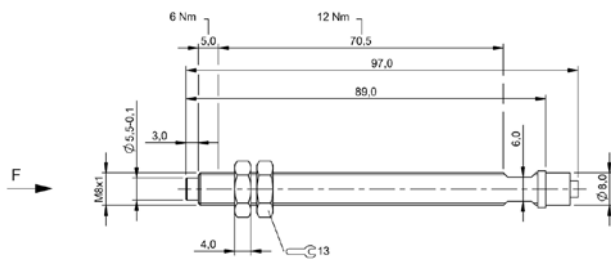
Accessories



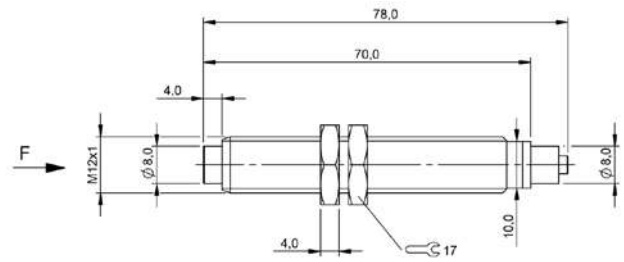
BAM02JE



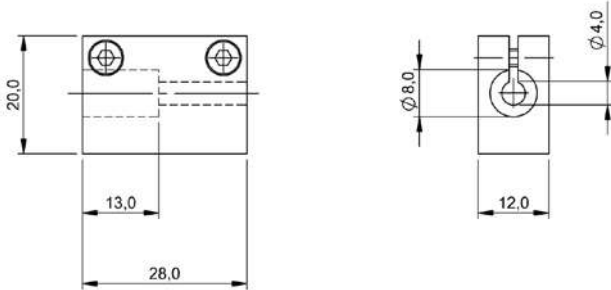
BAM009L



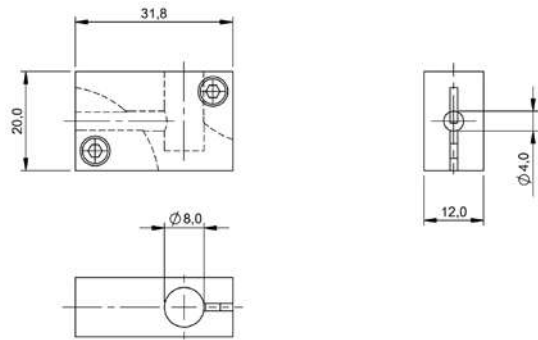
BAM009M



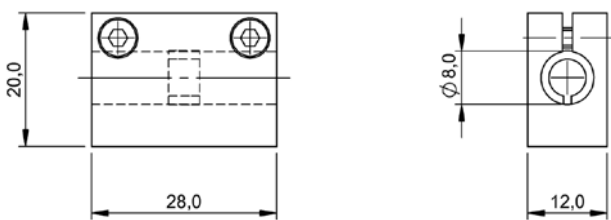
BAM00AZ



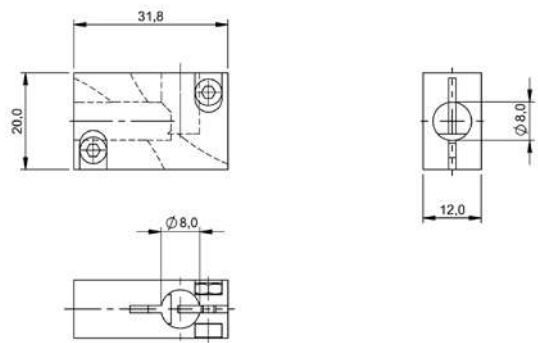
BAM009N



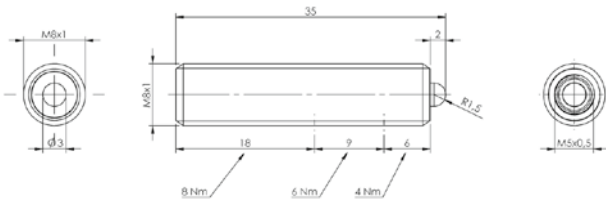
BAM009P



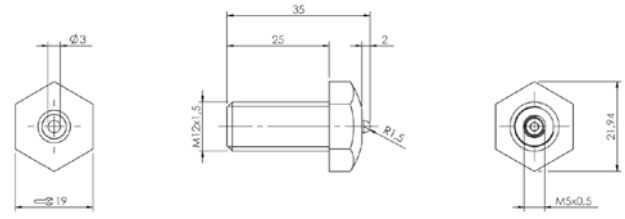
BAM009R



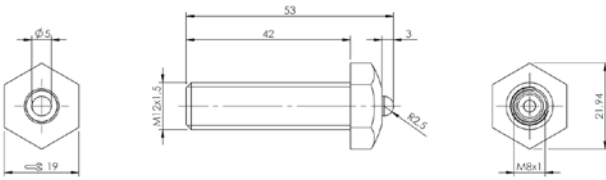
BAM009T



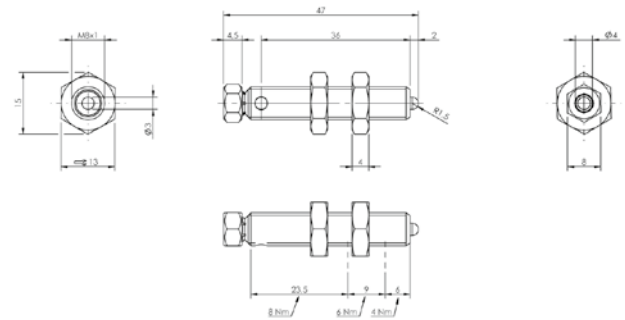
BAM01AZ



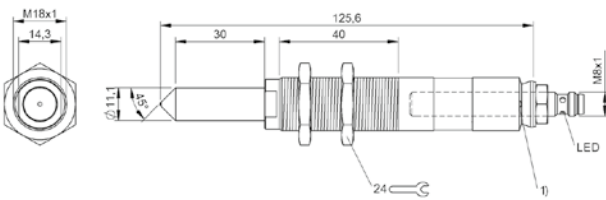
BAM019Y



BAM019W

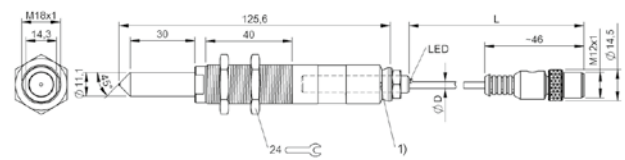


BAM01C0



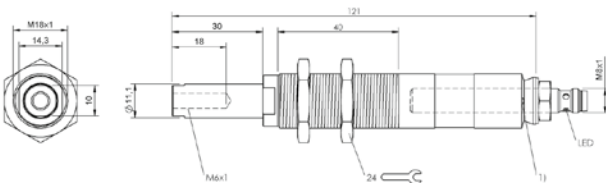
1) Leakage hole

SET0167, SET017U



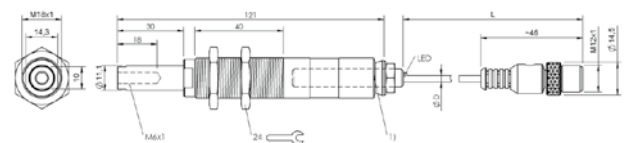
1) Leakage hole

SET0168



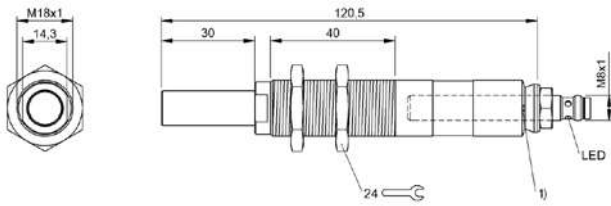
1) Leakage hole

SET016C, SET0180



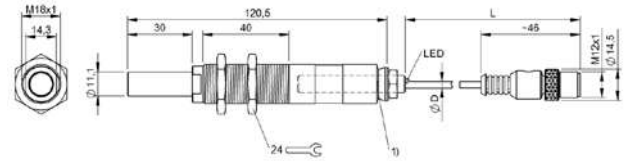
1) Leakage hole

SET016E, SET0181



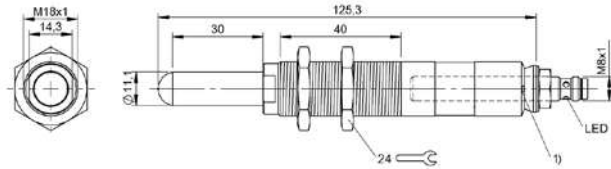
1) Leakage hole

SET0169, SET017Y



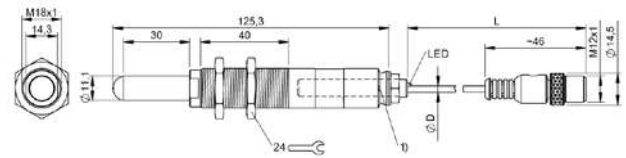
1) Leakage hole

SET016A, SET017Z



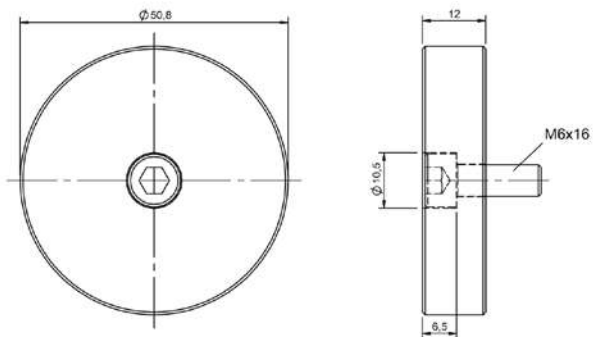
1) Leakage hole

SET015A, SET017R

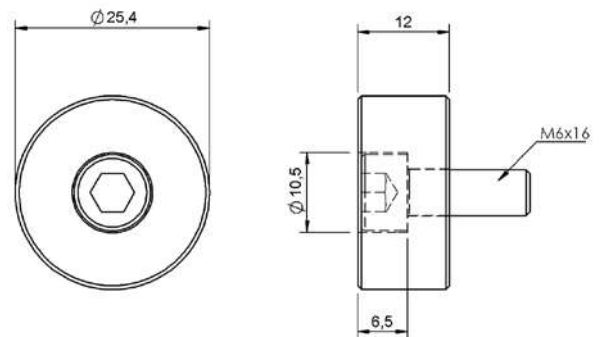


1) Leakage hole

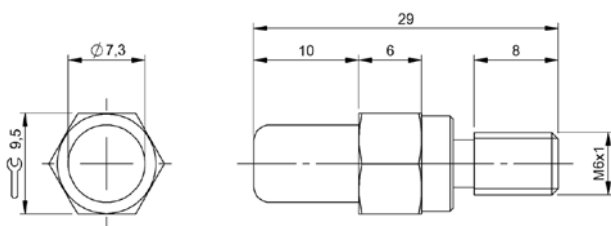
SET015F, SET017T



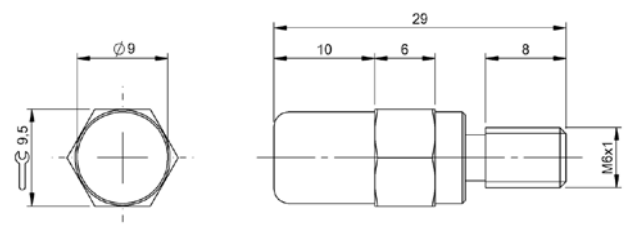
BAM025T



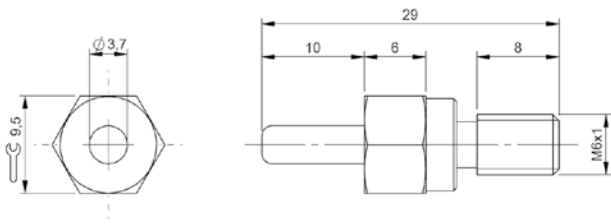
BAM02YU



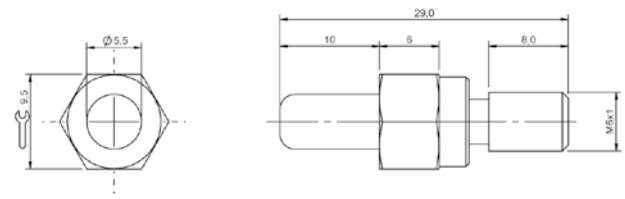
BAM02JW



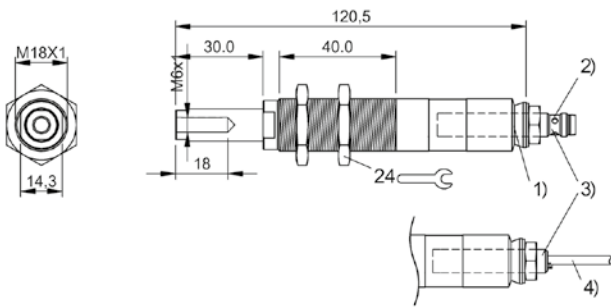
BAM02JY



BAM02JU

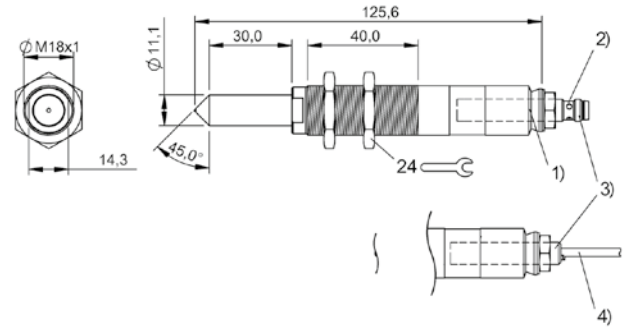


BAM027T



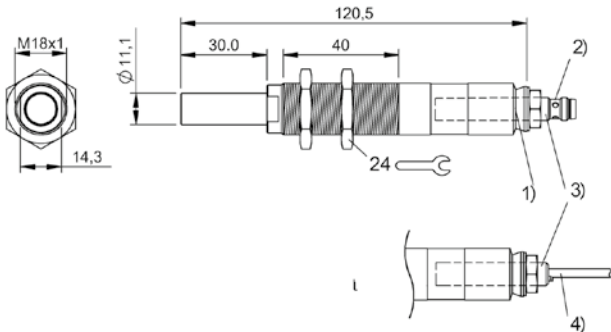
1) Leakage hole, 2) Detail of connector installation, 3) Not included in scope of delivery, 4) Cable attachment detail

BAM0260



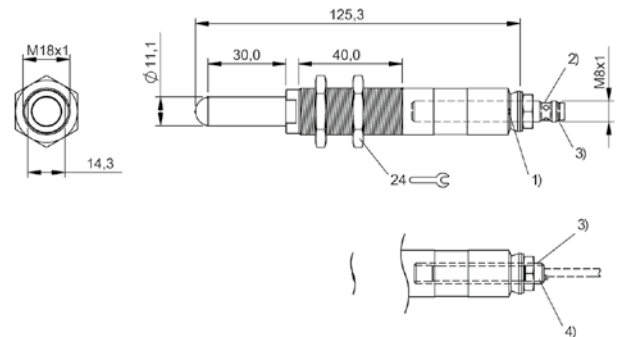
1) Leakage hole, 2) Detail of connector installation, 3) Not included in scope of delivery, 4) Cable attachment detail

BAM025U



1) Leakage hole, 2) Detail of connector installation, 3) Not included in scope of delivery, 4) Cable attachment detail

BAM025W



1) Leakage hole, 2) Detail of connector installation, 3) Included in the scope of delivery, 4) not installed, 5) Cable attachment detail

BAM022W



	BAM02R5 BAM PC-XE-028-M8-9	BAM009Z BES 08-SM-1	BAM00A0 BES 08-SM-1F	
Short description	Protective cap	Protective cap	Protective cap	
Use	For M08 sensors	For M08 sensors	For M08 sensors	
Material	Ceramic	PTFE	PTFE	
Dimension	Ø 38 x 20 mm	Ø 10 x 5 mm	Ø 10 x 9 mm	
Mounting	M8x1	Screws	Screws	
Productview	Page 372	Page 372	Page 372	



	BAM00EZ BES 18-SM-1	BAM00F0 BES 18-SM-2	BAM00F1 BES 18-SM-3	
Short description	Protective cap	Protective cap	Protective cap	
Use	For M18 sensors	For M18 sensors	For M18 sensors	
Material	PTFE	POM	PTFE	
Dimension	Ø 22.00 mm/ Ø 18.00 mm x 5.00 mm	Ø 21.50 mm/ Ø 18.00 mm x 9.30 mm	Ø 38.50 mm/ Ø 18.00 mm x 65.00 mm	
Mounting	Screws	Screws	Screws	
Productview	Page 373	Page 373	Page 373	



	BAM02KM BAM CS-XA-001-M12-5	BAM02R6 BAM PC-XE-028-M12-9	BAM00C2 BES 12-SM-2	BAM00EP BES 16-SM-2	BAM02R7 BAM PC-XE-028-M18-9
	Protective cap	Protective cap	Protective cap	Protective cap	Protective cap
	for M12 connector	For M12 sensors	For M12 sensors	For M16 sensors	for front-flush sensors M18, for inductive sensors BES M18
	Stainless steel	Ceramic	POM	PTFE	Ceramic
	Ø 13.5 x 12.5 mm	Ø 38 x 20 mm	Ø 16 x 10 mm	Ø 20 x 15 mm	Ø 38 x 20 mm
	Screws	M12x1	Screws	Screws	—
	Page 372	Page 372	Page 372	Page 372	Page 372



	BAM00H8 BES 22-SM-2	BAM012P BKS-23-CS-00	BAM02R8 BAM PC-XE-028-M30-9	BAM00HJ BES 30-SM-1	BAM00HK BES 30-SM-2
	Protective cap	Protective cap	Protective cap	Protective cap	Protective cap
	for M22 sensors	for inductive sensors BES M23	for front-flush sensors M30	For M30 sensors	For M30 sensors
	PTFE	Brass	Ceramic	POM	POM
	Ø 28 x 15 mm	Ø 26 x 11 mm	Ø 38 x 20 mm	Ø 34 x 5 mm	Ø 37 x 15 mm
	Screws	Screws	Screws	Screws	Screws
	Page 373	Page 373	Page 373	Page 373	Page 373

Sensors

RFID

Machine Vision and
Optical Identification

Human Machine
Interfaces

Safety

Industrial Networking

Software and
System Solutions

Power Supply

Connectivity

Accessories



	BAM00HL BES 30-SM-3	BAM00HM BES 30-SM-5	BAM00JL BES 36-SM-2	
Short description	Protective cap	Protective cap	Protective cap	
Use	For M30 sensors	For M30 sensors	For M36 sensors	
Material	PTFE	PTFE	POM	
Dimension	Ø 41.3 x 73.4 mm	Ø 41.3 x 73.4 mm	Ø 42 x 15 mm	
Mounting	Screws	Screws	Screws	
Productview	Page 410	Page 410	Page 410	



BAM02TU BAM CS-XA-001-M12-2				
Protective cap				
for processor units BIS U				
Brass nickel plated				
Ø 14.5 x 15 mm				
Screws				
Page 410				

Sensors

RFID

Machine Vision and
Optical Identification

Human Machine
Interfaces

Safety

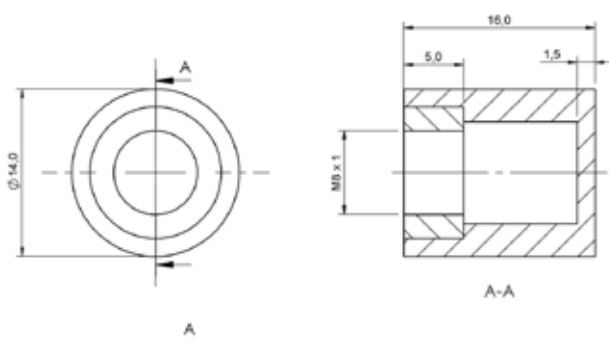
Industrial Networking

Software and
System Solutions

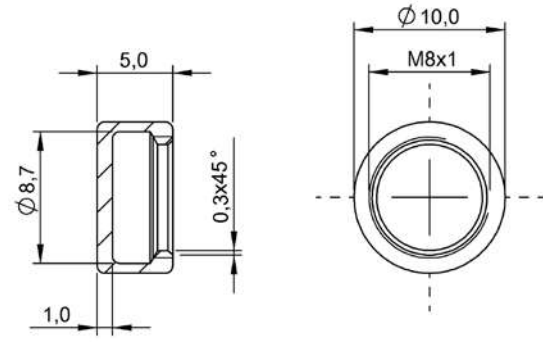
Power Supply

Connectivity

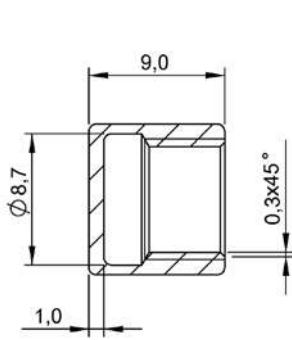
Accessories



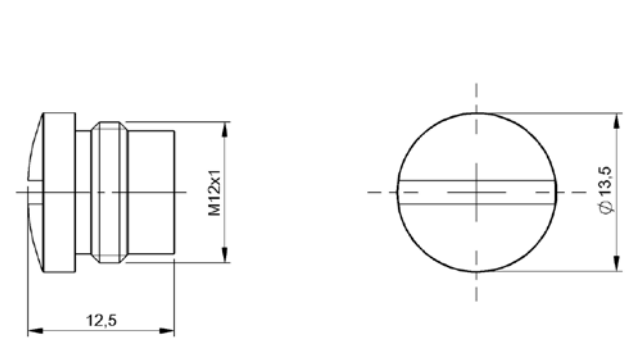
BAM02R5



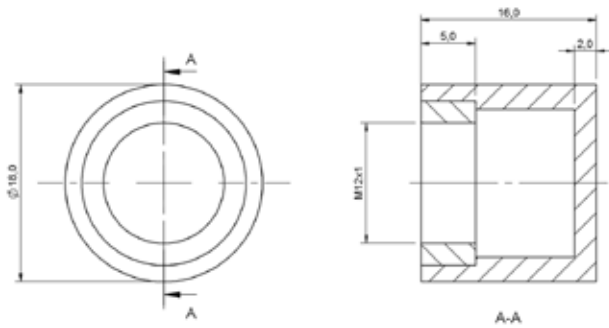
BAM009Z



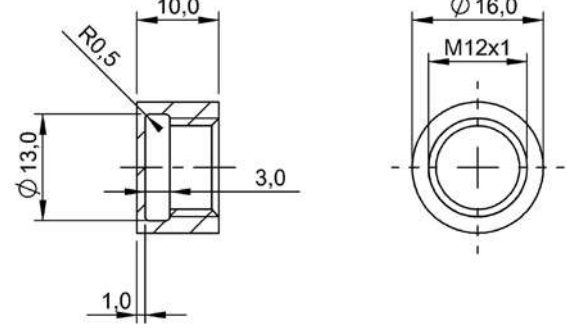
BAM00A0



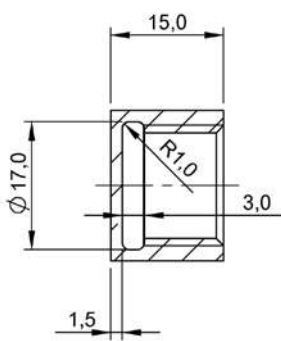
BAM02KM



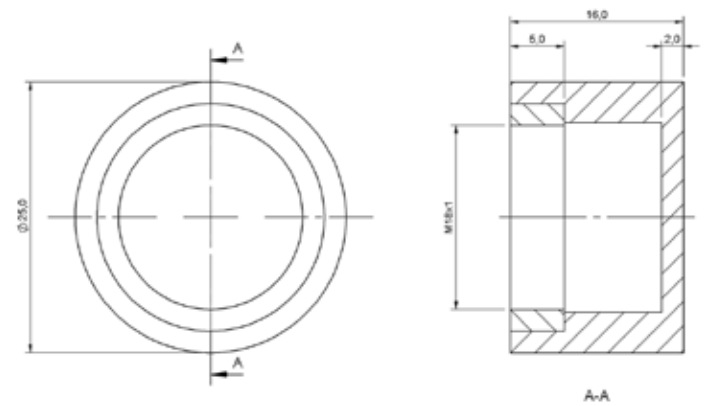
BAM02R6



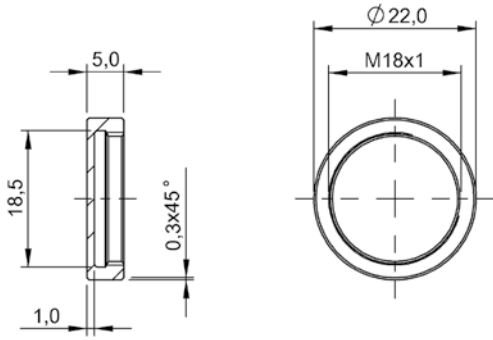
BAM00C2



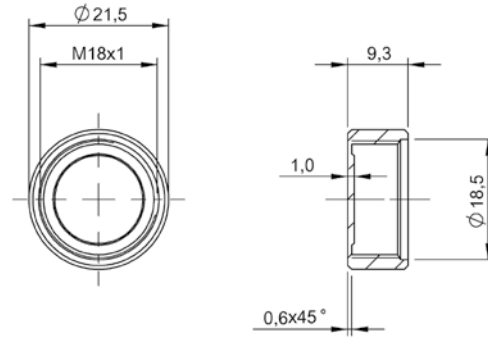
BAM00EP



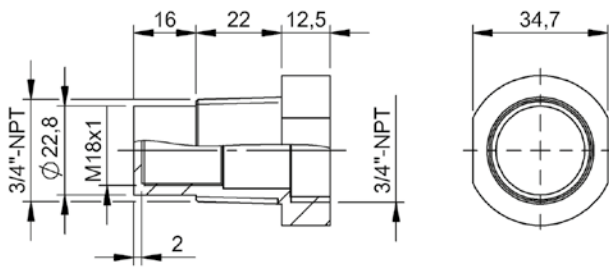
BAM02R7



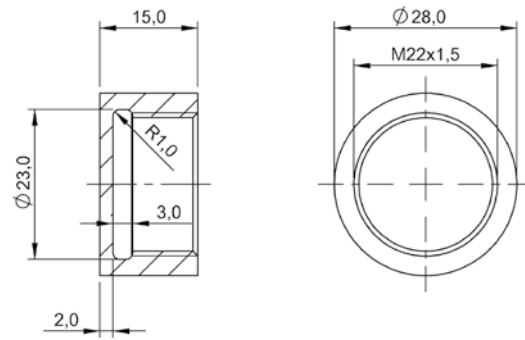
BAM00EZ



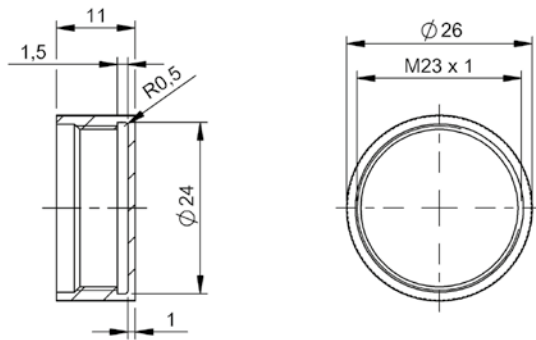
BAM00FO



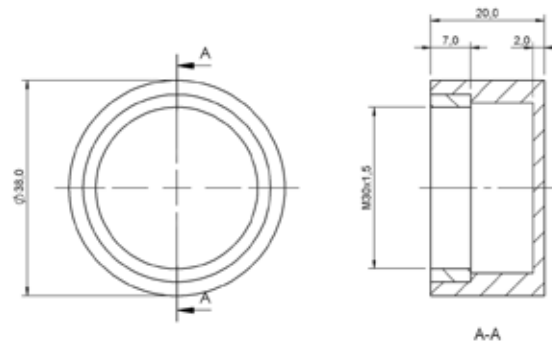
BAM00F1



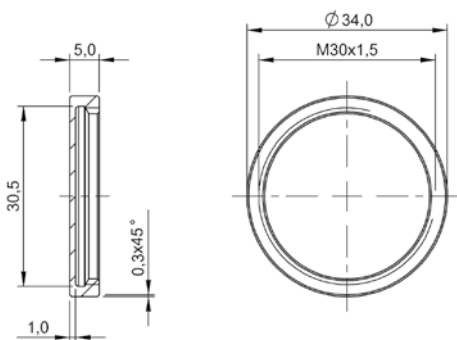
BAM00H8



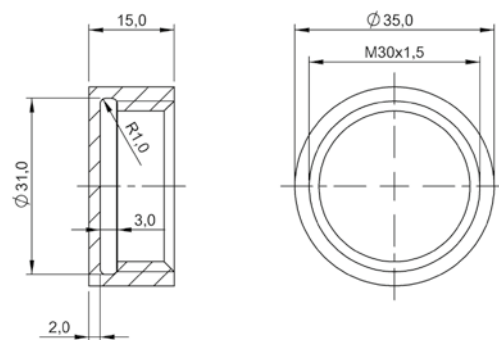
BAM012P



BAM02R8



BAM000HJ



BAM000HK

Sensors

RFID

Machine Vision and
Optical Identification

Human Machine
Interfaces

Safety

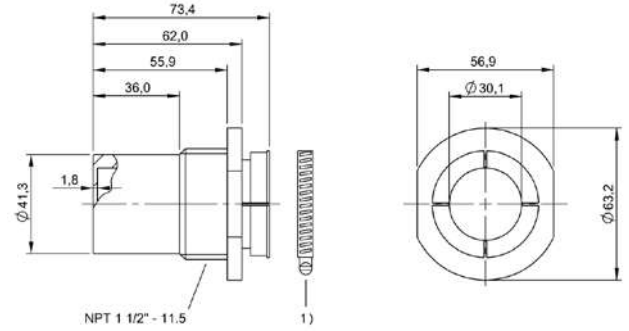
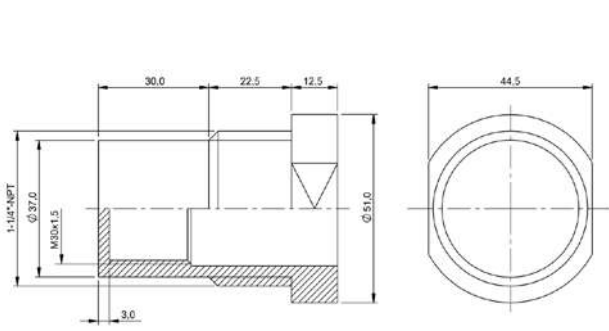
Industrial Networking

Software and
System Solutions

Power Supply

Connectivity

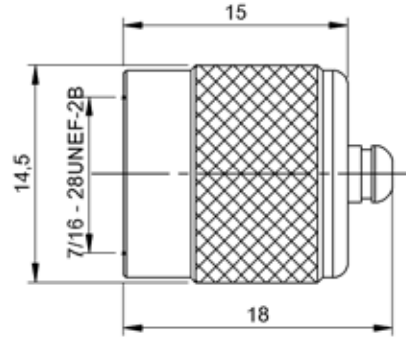
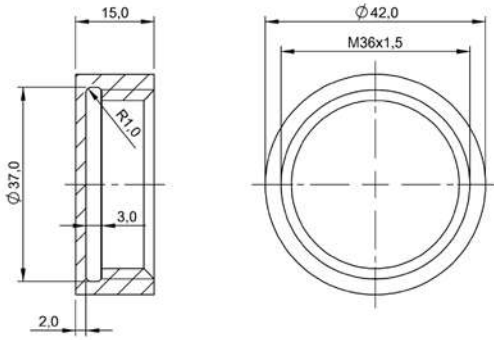
Accessories



1) Hose clamp 8x0.6 on Ø43

BAM00HL

BAM00HM



BAM00JL

BAM02TU



	BAM029N BAM AN-AM-001-01-1	BAM00PY BOS 12-LT-1	
Short description	air tube / cooling	air tube / cooling	
Use	for protective housing BOS 23K, for protective housing BOS 50K	for photoelectric sensors BOS 12M	
Material	—	—	
Protection sheet material	—	—	
Dimension	62 x 17.3 x 21.2 mm	Ø 14 x 25 mm	
Mounting	Screws	Thread M12x1	
Ambient temperature	—	—	
Approval/Conformity	—	—	
Productview	Page 418	Page 418	



	BAM02WF BAM PC-XE-034-Q40-1	BAM01LJ BAM PC-US-007-M18-2/W	
Short description	Protective cover	Protective cover	
Use	for inductive sensors BES Q40, for inductive couplers BIC Q40	for ultrasonic sensors BUS M18	
Material	PA 6 Aluminum Anodized	Beryllium copper black coated	
Protection sheet material	—	—	
Dimension	106 x 103.2 x 65 mm	Ø 22 x 25 mm	
Mounting	Screws	Screws	
Ambient temperature	—	—	
Approval/Conformity	—	—	
Productview	Page 418	Page 418	



BAM00R9 BOS 18-LT-1	BAM01LE BAM CS-XA-004-U7/8-A	BAM01LF BAM CS-XA-005-U7/8-A	BAM01YN BAM CS-XA-008-M12-4
air tube / cooling	Protective cover	Protective cover	Protective cover
for photoelectric sensors BOS 18K, for photoelectric sensors BOS 18M	BNI, BPI	BNI, BPI	for M12 connector
—	PA	PA	Brass nickel plated
—	—	—	—
Ø 22 x 30 mm	Ø 27 x 150 mm	Ø 27 x 150 mm	15 x 10.5 mm
Thread M18x1	Screws	Screws	Screws
—	—	—	—
—	—	—	—
Page 418	Page 418	Page 418	Page 418



BAM024W BAM PC-VS-017-1	BAM02NA BAM PC-VS-023-1	BAM02W0 BAM PC-VS-023-1-01	BAM029L BAM PC-0S-024-23K-1
Protective cover for optics	Protective cover for optics	Protective cover for optics	Protective housing
for BVS ...-E	for BVS SC-..	for BVS SC-..	for photoelectric sensors BOS 23K
Stainless steel Aluminum	Aluminum anodized, black	Aluminum anodized, black	—
Glass ceramic	Luxacryl/2h	Luxacryl/2h	Glass ceramic
64 x 46 x 60 mm	Ø 45 x 54 mm	Ø 45 x 83 mm	84.1 x 107 x 124.5 mm
Screws	Screws	Screws	Screws, Clamps
—	—	—	-5...70 °C, cooled max. 160 °C, min. 0 °C (water 8°C, 2l/min)
—	—	—	CE, ATEX, WEEE
Page 419	Page 419	Page 419	Page 419



	BAM029M BAM PC-OS-025-23K-1	BAM029K BAM PC-OS-026-23K-1	
Short description	Protective housing	Water connection for protective housing	
Use	for photoelectric sensors BOS 23K	for protective housing BOS 23K	
Material	—	—	
Protection sheet material	PMMA	—	
Dimension	84.1 x 107 x 124.5 mm	3 x 70.7 x 45.7 mm	
Mounting	Screws, Clamps	Screws	
Ambient temperature	-5...90 °C, uncooled	—	
Approval/Conformity	—	—	
Productview	Page 419	Page 419	



	BAM01Y5 BAM PC-X0-005-08M-4	BAM01Y6 BAM PC-X0-005-12M-4	
Short description	Protective nut	Protective nut	
Use	for photoelectric sensors BOS 08M	for photoelectric sensors BOS 12M	
Material	Stainless steel Glass	Stainless steel Glass	
Protection sheet material	—	—	
Dimension	Ø 12 x 10 mm	Ø 17 x 10 mm	
Mounting	Screws	Screws	
Ambient temperature	—	—	
Approval/Conformity	—	—	
Productview	Page 420	Page 420	



BAM029C BAM PC-OS-024-50K-1	BAM02H4 BAM PC-OS-025-50K-1	BAM029P BAM PC-OS-026-50K-1	BAM01RR BAM PC-VS-008-1
Protective housing	Protective housing	Water connection for protective housing	Protective housing
for photoelectric sensors BOS 50K	for photoelectric sensors BOS 50K	for protection cover optics BOS 50K	for Vision sensor BVS
—	—	—	Aluminum Painted Glass
Glass ceramic	PMMA	—	—
89.1 x 133 x 135.7 mm	89.1 x 133 x 135.7 mm	3 x 80.7 x 49.7 mm	80 x 175 x 58 mm
Screws, Clamps	Screws, Clamps	Screws	Screws
-5...70 °C, cooled max. 160 °C, min. 0 °C (water 8°C, 2l/min)	-5...90 °C, uncooled	—	—
CE, ATEX, WEEE	—	—	—
Page 419	Page 419	Page 419	Page 419



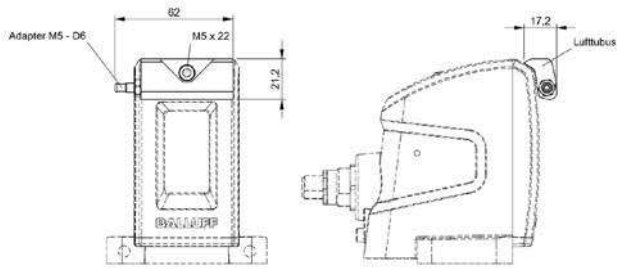
BAM01NC BAM PC-XO-005-18M-4	BAM00RL BOS 18-SM-1	BAM01L8 BAM PC-XO-006-23K-1	BAM01YL BAM PC-XO-006-23K-G/RK
Protective nut	Protective nut	Protective cover for optics	Protective cover for optics
for photoelectric sensors BOS 18M	for photoelectric sensors BOS 18M	for photoelectric sensors BOS 23K	for protection cover optics BOS 23K
Stainless steel Glass	POM Glass	Aluminum Anodized Glass	Glass
—	—	—	—
Ø 22 x 13 mm	Ø 22 x 16 mm	22.5 x 59.3 x 34.3 mm	58 x 3 x 19.9 mm
Screws	Screws	Screws	Screws
—	—	—	—
—	—	—	—
Page 420	Page 420	Page 420	Page 420



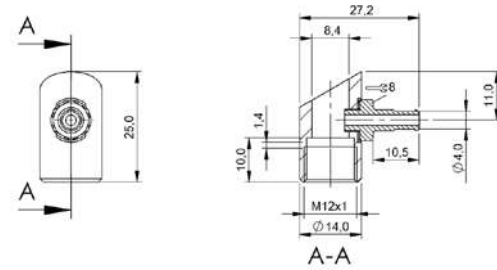
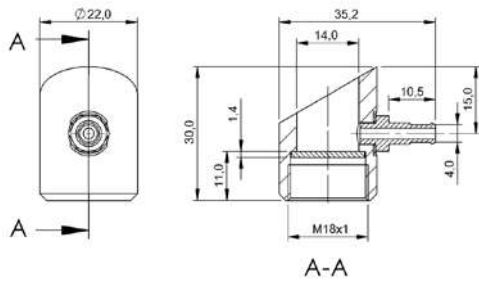
	BAM01C1 BAM CS-XA-001-M8-C	BAM01C2 BAM CS-XA-002-M12-A	
Short description	Protective nut	Protective nut	
Use	for junction blocks M8	BNI M12	
Material	PC ABS	PC ABS (UL certified)	
Protection sheet material	—	—	
Dimension	Ø 9.1 x 8.5 mm	Ø 14 x 13.2 mm	
Mounting	Screws	Screws	
Ambient temperature	—	—	
Approval/Conformity	—	—	
Productview	Page 420	Page 420	



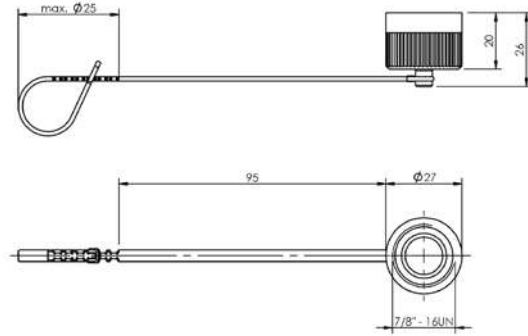
	BAM0114 BKS-12-CS-01	BAM0115 BKS-12-CS-02	BAM012T BKS-7/8-CS-00-A	
	Protective nut	Port cover	Port cover	
	for M12 connector	for active and passive junction blocks	for active and passive junction blocks	
	Brass nickel plated	PC/ABS	Aluminum Anodized Nickel-plated brass	
	—	—	—	
	Ø 13.5 x 12 mm	Ø 12 x 11.9 mm	Ø 0.9 „ x 0.8	
	Screws	M12x1	7/8“-16	
	—	—	—	
	—	—	—	
	Page 421	Page 421	Page 421	



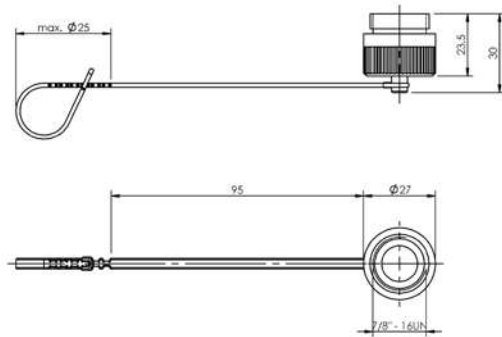
BAM029N



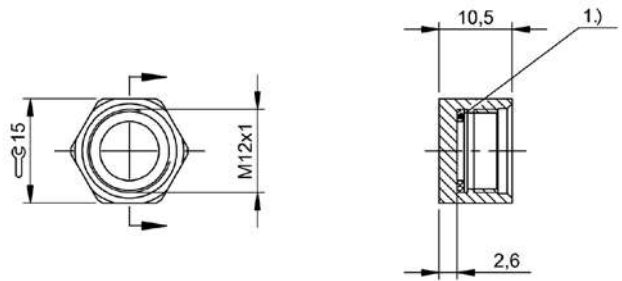
BAM00PY



BAM00R9

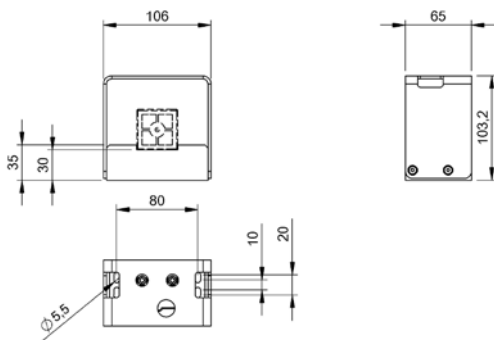


BAM01LE

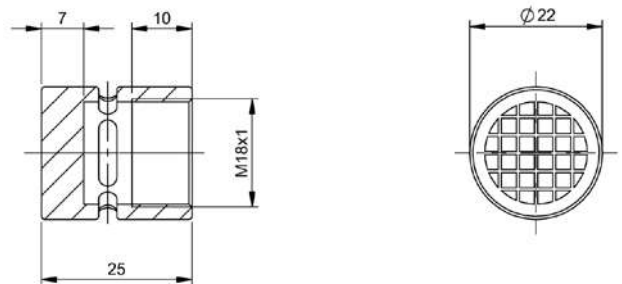


1) Sealing ring

BAM01LF

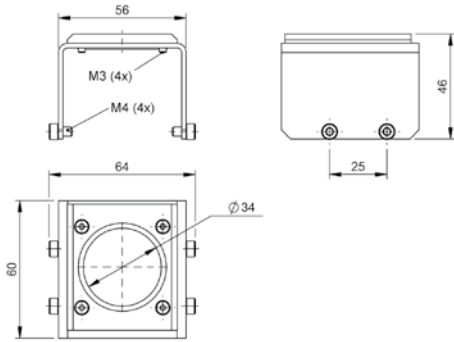


BAM01YN

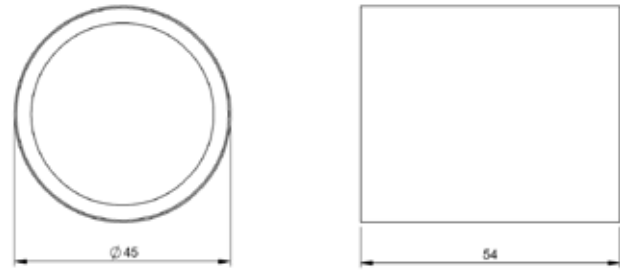


BAM02WF

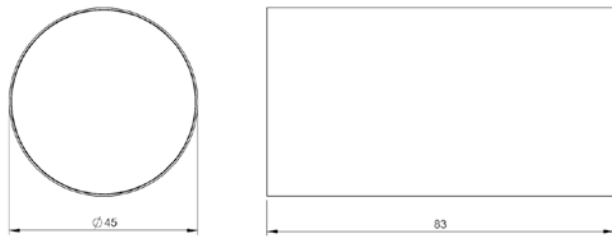
BAM01LJ



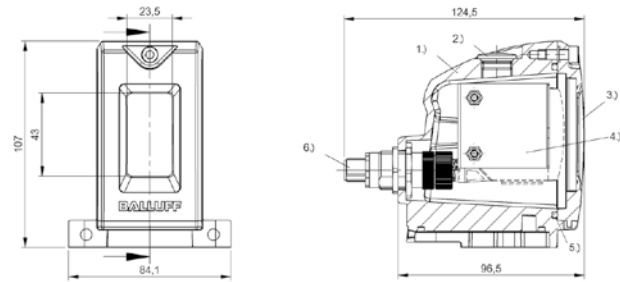
BAM024W



BAM02NA

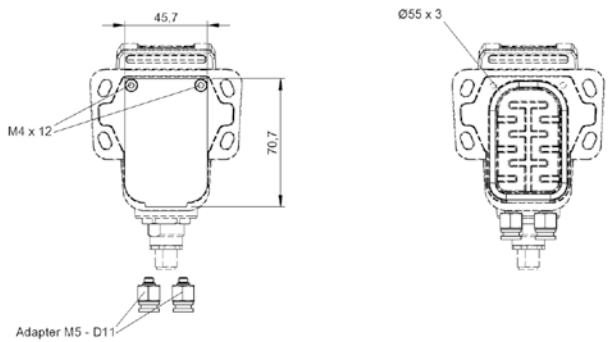


BAM02W0

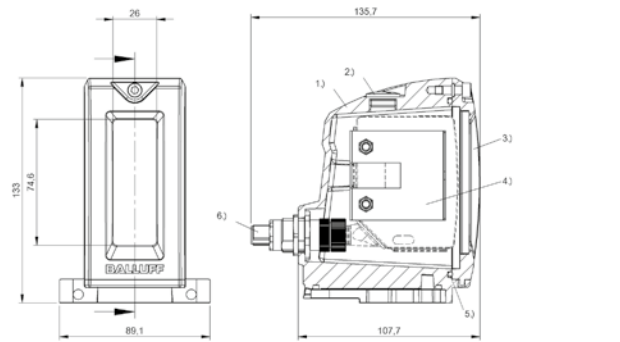


1) Housing, 2) Sensor setting access, 3) Cover, 4) Mounting plate, 5) Sealing ring, 6) Pass-through

BAM029L, BAM029M

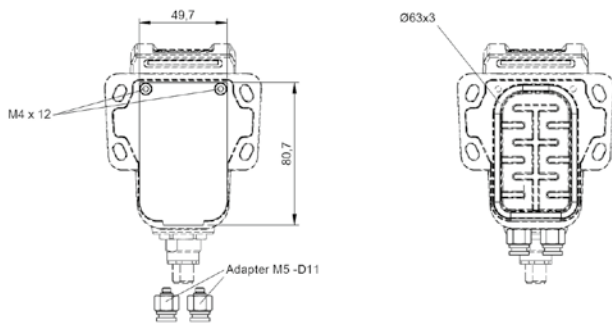


BAM029K

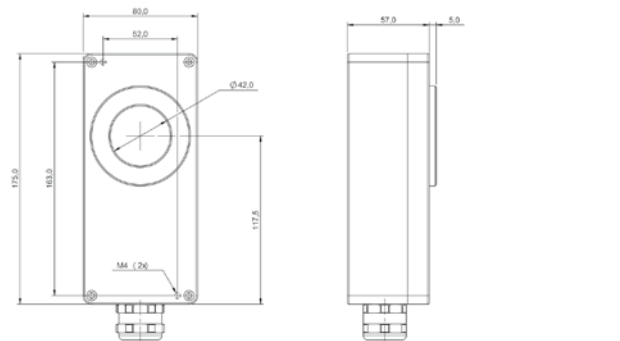


1) Housing, 2) Sensor setting access, 3) Cover, 4) Mounting plate, 5) Sealing ring, 6) Pass-through

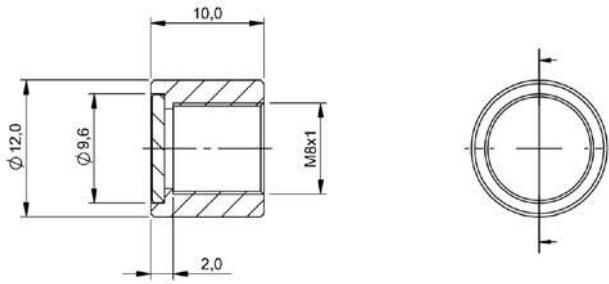
BAM029C, BAM02H4



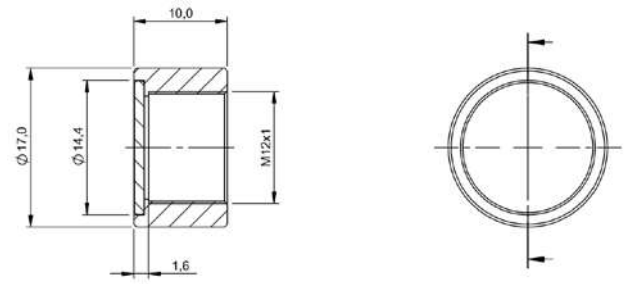
BAM029P



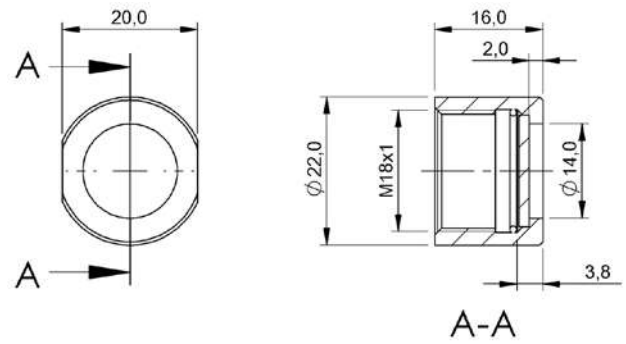
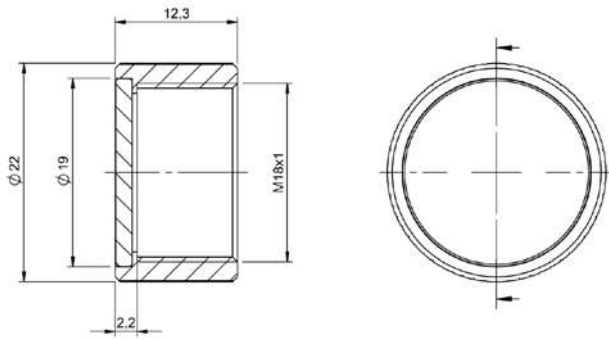
BAM01RR



BAM01Y5

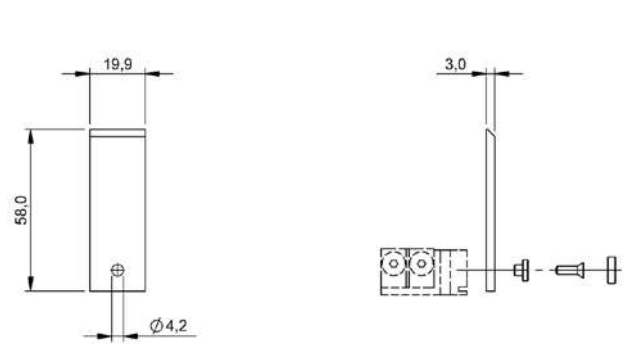
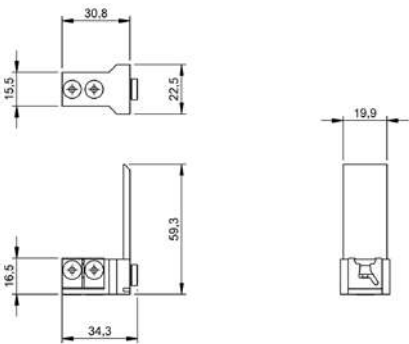


BAM01Y6



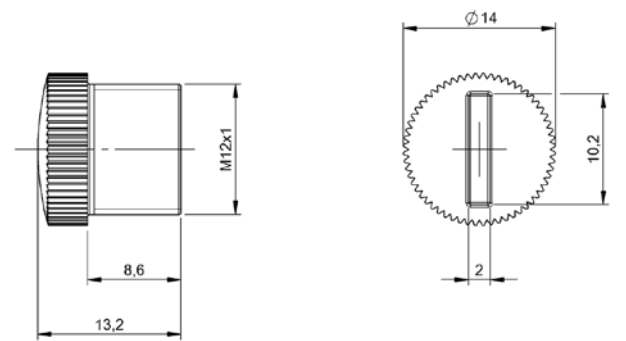
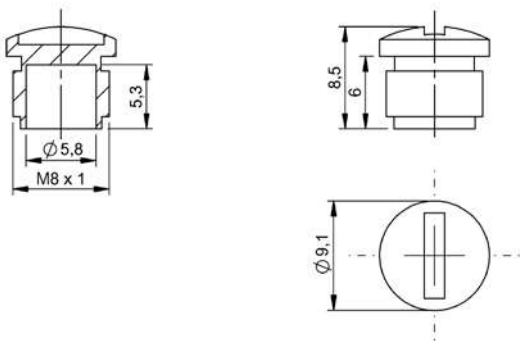
BAM01NC

BAM00RL



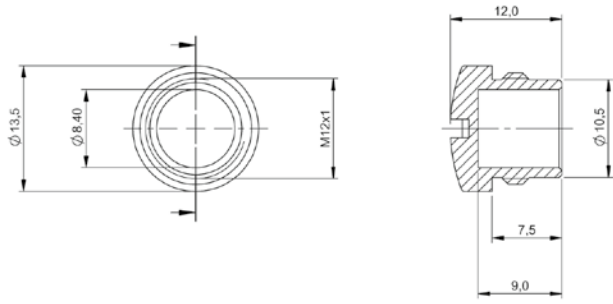
BAM01L8

BAM01YL

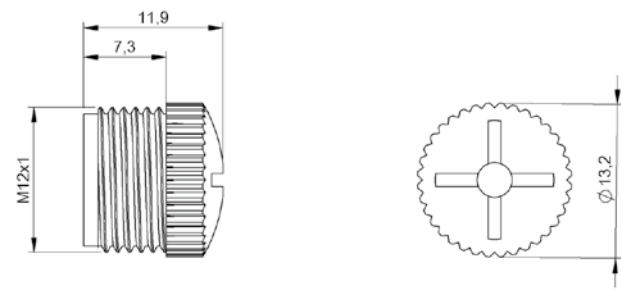


BAM01C1

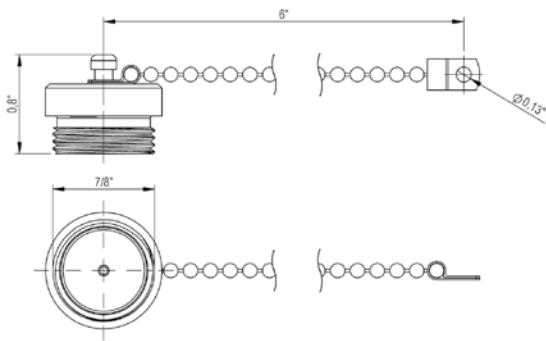
BAM01C2



BAM0114



BAM0115



BAM012T

Sensors

RFID

Machine Vision and Optical Identification

Human Machine Interfaces

Safety

Industrial Networking

Software and System Solutions

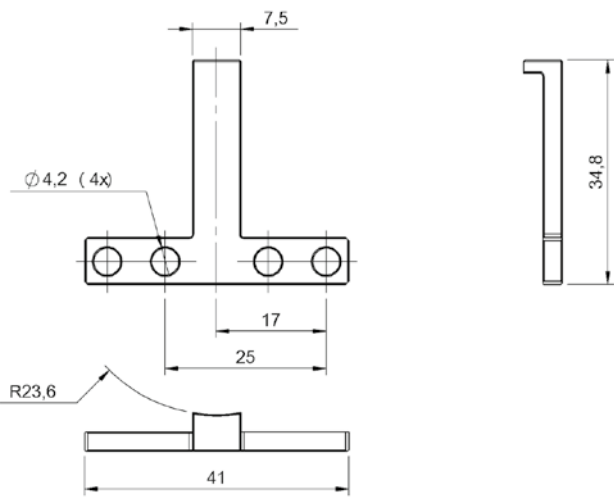
Power Supply

Connectivity

Accessories



	BAM0206 BAM FK-VS-002-03-1
Short description	Focusing ring lock
Use	for Vision sensor BVS
Application	For locking the set focus
Material	Aluminum anodized
Mounting	Screw M4



BAM0206



	BAM015U BESA-08-CM	BAM015W BESA-12-CM	
Short description	Collision Protection	Collision Protection	
Use	for inductive sensors BES M8	for inductive sensors BES M12	
Material	POM anodized Aluminum	POM anodized Aluminum	
Dimension	Ø 16 x 22.1 mm	Ø 22 x 21 mm	
Mounting	Screws M16	Screws M22	
Ambient temperature	-45...85 °C	-45...85 °C	
Productview	Page 426	Page 426	



	BAM015Y BESA-18-CM	BAM015Z BESA-30-CM	BAM00NU BFO 04-FS-1	
	Collision Protection	Collision Protection	Metal corrugated tubes	
	for inductive sensors BES M18	for inductive sensors BES M30	for fibre optics BFO M4	
	POM anodized Aluminum	POM anodized Aluminum	Brass nickel plated Steel	
	Ø 30 x 30 mm	Ø 47 x 37.3 mm	Ø 12 x 2000 mm	
	Screws M30	Screws M47	Screw M3	
	-45...85 °C	-45...85 °C	—	
	Page 426	Page 426	Page 426	

Sensors

RFID

Machine Vision and
Optical Identification

Human Machine
Interfaces

Safety

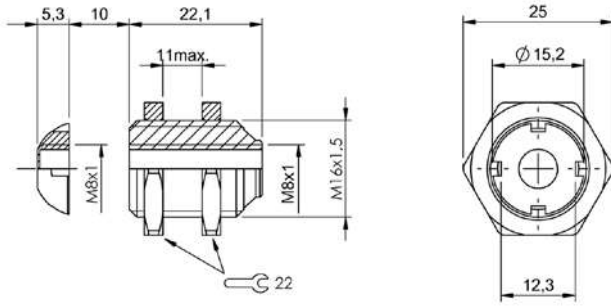
Industrial Networking

Software and
System Solutions

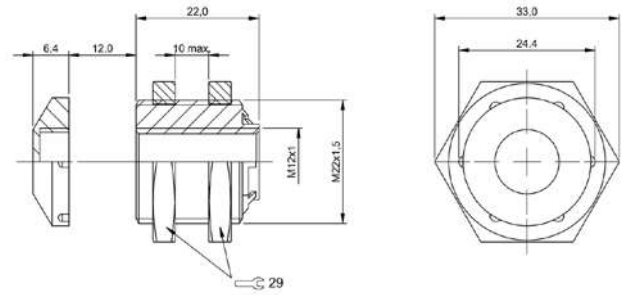
Power Supply

Connectivity

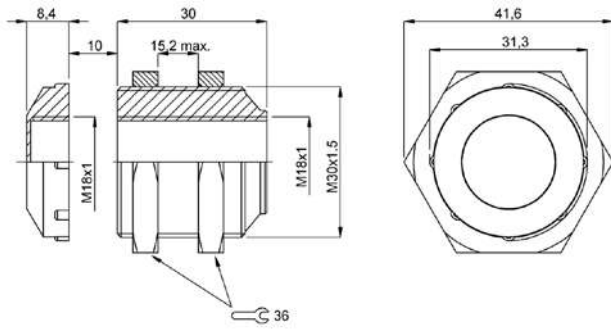
Accessories



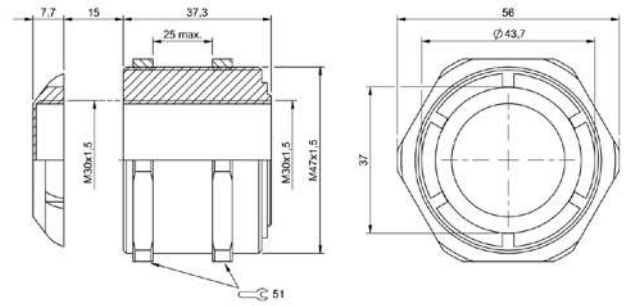
BAM015U



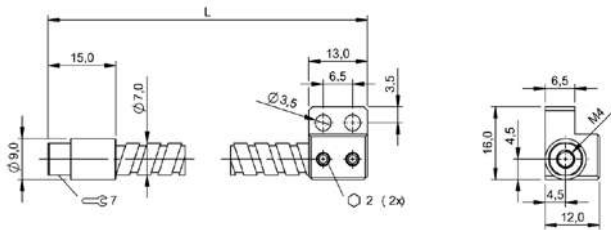
BAM015W



BAM015Y



BAM015Z



BAM00NU



Versatile and flexible mounting solutions

FASTENING TECHNOLOGY



With our assembly systems and brackets, you can adapt the sensors and equipment to your particular task.

Simple to install and adjust, these provide – in addition to attachment – exact positioning, even under difficult conditions. Balluff mounting solutions are distinguished by high-quality materials and exact processing.

The most important benefits

- Flexible and versatile
- Compatible and universal
- Excellent price/performance ratio



	SET011L BAV BP-PH-00064-01	SET011M BAV BP-PH-00065-01	SET01NU BAV BP-PH-00180-01	
Principle of operation	Mounting system	Mounting system	—	
Use	for mounting system BMS	for mounting system BMS	for holding rods with Ø12 mm, for mounting system BMS	
Material	Aluminum Plastic	Aluminum Anodized Die-cast zinc	Aluminum Anodized Die-cast zinc	
Dimension	150 × 150 mm	150 × 150 mm	150 × 150 mm	
Mounting	Screws, clamps	Screws, clamps	Screws, clamps	
Additional features	—	—	—	
Approval/Conformity	—	—	—	
Productview	Page 444	Page 444	Page 444	



	BAM0275 BMS CU-M-D12-B040-00	BAM02JT BMS CU-M-D12-B040-02	BAM03EU BMS CU-M-D12-E038-01	
Principle of operation	Mounting system	Mounting system	Mounting system	
Use	for mounting system BMS, for holding rods with Ø12 mm	for mounting system BMS, for holding rods with Ø12 mm	for holding rods with Ø12 mm, for monitor holder BMS, for mounting system BMS	
Material	Zinc chrome plated, matte	Zinc chrome plated, matte	Stainless steel	
Dimension	60 × 30 × 36 mm	60 × 30 × 42.8 mm	30 × 37 × 50 mm	
Mounting	Screws, clamps	Screws, clamps	Screws, Clamps	
Additional features	—	—	—	
Approval/Conformity	—	—	Ecolab	
Productview	Page 445	Page 445	Page 445	



	SET01U1 BAV BP-PH-00214-01	SET01KE BAV DG-PH-00096-01	BAM033K BMS AD-M-004-X19/MIS-D	BAM024R BMS CCJ-M-D12-B-01	BAM024P BMS CU-M-D12-B028-00
	Holding system	—	Mounting system	Mounting system	Mounting system
	for holding rods with Ø12 mm, for mounting system BMS	for holding rods with Ø30 mm, for mounting system BMS	for monitor holder BMS, for quick-change plate BVS	for mounting system BMS, for holding rods with Ø12 mm	for mounting system BMS, for holding rods with Ø12 mm
	Stainless steel	Aluminum Cast aluminum	Aluminum anodized, natural	Zinc chrome plated, matte	Zinc chrome plated, matte
	400 x 600 mm	310 x 510 mm	6 x 116 x 116 mm	45.5 x 36 x 30 mm	64 x 30 x 36 mm
	Screws, clamps	Screws, clamps	Screws	Screws, clamps	Screws, clamps
	—	—	—	—	—
	Ecolab	—	—	—	—
	Page 444	Page 444	Page 444	Page 444	Page 444



	BAM03EY BMS CU-M-D12-E038-02	BAM033U BMS CU-M-D30-E040-00	BAM002.J BMS CU-P-D12-A040-00	BAM034K BMS CUJ-M-D30-E057-00	BAM034L BMS CUJ-M-D30-E060-01
	Mounting system	Mounting system	Mounting system	Mounting system	Mounting system
	for holding rods with Ø12 mm, for monitor holder BMS, for mounting system BMS	for holding rods with Ø30 mm, for mounting system BMS	for holding rods with Ø12 mm, for holding rods with 10x10 mm	for mounting system BMS, for monitor holder BMS	for mounting system BMS, for monitor holder BMS
	Stainless steel	Cast aluminum	POM	Aluminum	Aluminum
	37 x 40.5 x 50 mm	60 x 50 x 60 mm	56 x 30 x 40 mm	75 x 75 x 108 mm	40 x 74 x 108 mm
	Screws, Clamps	Screws, clamps	Screws, clamps	Screws, Clamps	Screws, Clamps
	—	—	—	—	—
	Ecolab	—	—	—	—
	Page 445	Page 445	Page 445	Page 445	Page 445



	BAM002Y BMS CUJ-P-D12-R040-00	BAM0044 BMS CU-M-D12-I060-01	BAM01CH BMS CU-M-D12-I060-02	
Principle of operation	Mounting system	Mounting system	Mounting system	
Use	for mounting system BMS, for holding rods with Ø12 mm	for mounting system BMS	for mounting system BMS	
Material	PA	Stainless steel (1.4301)	Stainless steel (1.4301)	
Dimension	50 x 65 x 35 mm	76.4 x 10 x 30 mm	76.4 x 10 x 30 mm	
Mounting	Screws, clamps	Screws, clamps	Screws, clamps	
Additional features	—	—	—	
Approval/Conformity	—	—	—	
Productview	Page 446	Page 446	Page 446	



	BAM03AN BAM IA-XA-033-04-R	BAM032T BAM IA-XA-031-200-R	BAM0031 BMS CS-M-D12-IZ	
Principle of operation	Cable Spacer	Cable ties	Mounting system	
Use	for 2x cables D5,5-6,9 mm + 2x cables D9,3-11,6 mm	for cable fastener	for mounting system BMS, for holding rods with Ø12 mm	
Material	PP	PP	Zinc	
Dimension	53.9 x 62.6 mm	21 x 1.5 x 200 mm	Ø 27 x 37 mm	
Mounting	—	—	Screws, clamps	
Additional features	—	—	—	
Approval/Conformity	—	—	—	
Productview	Page 447	Page 447	Page 447	



	BAM03CF BAM IA-XA-034-M08-A-4	BAM03CH BAM IA-XA-034-M12-A-5	BAM03AK BAM IA-XA-033-01-R	BAM03AL BAM IA-XA-033-02-R	BAM03AM BAM IA-XA-033-03-R
	Modular mounting clip for connector	Modular mounting clip for connector	Cable Spacer	Cable Spacer	Cable Spacer
	for M8 connector	for M12 connector	for 4x cables D4,3-5,4 mm	for 4x cables D5,5-6,9 mm	for 2x cables D5,5-6,9 mm + 2x cables D7,7-8 mm
	PPO schwarz	PPO schwarz	PP	PP	PP
	15 x 17 x 19 mm	20 x 21 x 19 mm	43.2 x 61.6 mm	43.9 x 61.6 mm	52.4 x 61.6 mm
	Screw M4	Screw M5	—	—	—
	—	—	—	—	—
	—	—	—	—	—
	Page 446	Page 446	Page 446	Page 446	Page 446



	BAM003Y BMS CS-M-D12-IZ-01	BAM035N BMS CS-M-D12-IZ-02	BAM035A BMS CS-M-D30-BZ-03	BAM002Z BMS CC-M-D12-B-00	BAM035P BMS CC-M-D12-B-03
	Mounting system	Mounting system	Mounting system	Mounting system	Mounting system
	for mounting system BMS, for holding rods with Ø12 mm	for mounting system BMS, for holding rods with Ø12 mm	for mounting system BMS, for holding rods with Ø30 mm	for mounting system BMS, for holding rods with Ø12 mm	for mounting system BMS, for holding rods with Ø12 mm
	Stainless steel (1.4301)	Chrome-plated zinc, matt	Cast aluminum	Aluminum Anodized	Chrome-plated zinc, matt
	Ø 27 x 37 mm	Ø 27 x 39.1 mm	Ø 30 x 59 mm	55 x 20 x 20 mm	55 x 20 x 20 mm
	Screws, clamps	Clamps	Screws, clamps	Screws, clamps	Clamps
	—	—	—	—	—
	Ecolab	—	—	—	—
	Page 447	Page 447	Page 447	Page 447	Page 447



	BAM03EY BMS CC-M-D12-E-01	BAM033W BMS CC-M-D30-E-00	BAM033Y BMS CC-M-D30-E-01	
Principle of operation	Mounting system	Mounting system	Mounting system	
Use	for holding rods with Ø12 mm, for monitor holder BMS, for mounting system BMS	for holding rods with Ø30 mm, for mounting system BMS	for holding rods with Ø30 mm, for holding rods with Ø12 mm, for mounting system BMS	
Material	Stainless steel	Cast aluminum	Cast aluminum	
Dimension	25.5 x 25.5 x 64 mm	40 x 98 mm	40 x 84 mm	
Mounting	Clamps, Screws	Screws, clamps	Screws, clamps	
Additional features	—	—	—	
Approval/Conformity	Ecolab	—	—	
Productview	Page 447	Page 448	Page 448	



	BAM003W BMS KIT-V1	BAM021Y BMS RS-M-D12-0100-00	BAM002R BMS RS-M-D12-0150-00	
Principle of operation	Mounting kit equipped	Mounting system	Mounting system	
Use	for mounting system BMS	for mounting system BMS	for mounting system BMS	
Material	Aluminum Die-cast zinc Stainless steel Plastic	Aluminum Anodized	Aluminum Anodized	
Dimension	390 x 135 x 510 mm	Ø 12 x 100 mm	Ø 12 x 150 mm	
Mounting	—	Clamps	Clamps	
Additional features	—	—	—	
Approval/Conformity	—	—	—	
Productview	—	Page 448	Page 448	



	BAM003U BMS CC-P-D10-A-00	BAM002M BMS CC-P-D12-A-00	BAM01CW BMS CS-M-D12-BX08-07	BAM0343 BMS CSJ-M-D30-EX19-02	BAM003T BMS CASE-01
	Mounting system	Mounting system	Mounting system	Mounting system	Mounting kit empty
	for holding rods with Ø10 mm, for holding rods with 8x8 mm, for mounting system BMS	for holding rods with Ø12 mm, for holding rods with 10x10 mm, for mounting system BMS	for holding rods with Ø12 mm, for fork sensor BGL, for photoelectric sensors BOS 2K, for photoelectric sensors BOS 6K	for mounting system BMS, for connection plate VESA 75/100	for mounting system BMS
	POM	POM	Aluminum Anodized	PA 6.6 GF30	Aluminum Anodized
	55 x 22 x 22 mm	55 x 22 x 22 mm	37 x 20 x 30 mm	Ø 60 x 190.5 mm	390 x 135 x 510 mm
	Screws, clamps	Screws, clamps	Screws, clamps	Screws, clamps	—
	—	—	—	max. load capacity 10 Kg (static), Latches in 15° increments, 60° free swivel range	—
	—	—	—	—	—
	Page 448	Page 448	Page 448	Page 448	—



	BAM021T BMS RS-M-D12-0200-00	BAM002T BMS RS-M-D12-0250-00	BAM021W BMS RS-M-D12-0300-00	BAM021U BMS RS-M-D12-0750-00	BAM002U BMS RS-M-D12-1000-00
	Mounting system	Mounting system	Mounting system	Mounting system	Mounting system
	for mounting system BMS	for mounting system BMS	for mounting system BMS	for mounting system BMS	for mounting system BMS
	Aluminum Anodized	Aluminum Anodized	Aluminum Anodized	Aluminum Anodized	Aluminum Anodized
	Ø 12 x 200 mm	Ø 12 x 250 mm	Ø 12 x 300 mm	Ø 12 x 750 mm	Ø 12 x 1000 mm
	Clamps	Clamps	Clamps	Clamps	Clamps
	—	—	—	—	—
	—	—	—	—	—
	Page 448	Page 448	Page 448	Page 448	Page 448



	BAM033Z BMS RS-M-D30-0300-01	BAM0340 BMS RS-M-D30-0500-01	BAM0341 BMS RS-M-D30-1000-01	
Principle of operation	Mounting system	Mounting system	Mounting system	
Use	for mounting system BMS	for mounting system BMS	for mounting system BMS	
Material	Aluminum Anodized	Aluminum Anodized	Aluminum Anodized	
Dimension	Ø 30 x 300 mm	Ø 30 x 500 mm	Ø 30 x 1000 mm	
Mounting	Clamps	Clamps	Clamps	
Additional features	—	—	—	
Approval/Conformity	—	—	—	
Productview	Page 448	Page 449	Page 449	



	BAM003J BMS AD-M-003-D12/IZ	BAM0041 BMS CZ-M-D12-I-001	BAM003A BMS BS-M-D12-0250-01	
Principle of operation	Mounting system	Beam deflector	Mounting system	
Use	for mounting system BMS	for cleaning of sensors and reflectors	For BOS R-14 reflectors, for reflectors BOS R-1/R-9, for reflectors BOS R-22/R-26	
Material	Aluminum Anodized	Aluminum Anodized Plastic	Aluminum Anodized	
Dimension	Ø 30 x 10 mm	190 x 30 mm	Ø 12 x 250 mm	
Mounting	Clamps	Clamps	Clamps	
Additional features	—	—	—	
Approval/Conformity	—	—	—	
Productview	Page 449	Page 449	Page 449	



	BAM0045 BMS RS-S-D12-0150-00	BAM0046 BMS RS-S-D12-0300-00	BAM03F0 BMS RS-S-D12-0400-00	BAM03F1 BMS RS-S-D12-0600-00	BAM03F2 BMS RS-S-D12-0800-00
	Mounting system	Mounting system	Mounting system	Mounting system	Mounting system
	for mounting system BMS	for mounting system BMS	for mounting system BMS	for mounting system BMS	for mounting system BMS
	Stainless steel (1.4301)	Stainless steel (1.4301)	Stainless steel	Stainless steel	Stainless steel
	Ø 12 x 150 mm	Ø 12 x 300 mm	Ø 12 x 400 mm	Ø 12 x 600 mm	Ø 12 x 800 mm
	Clamps	Clamps	Clamps	Clamps	Clamps
	—	—	—	—	—
	Ecolab	Ecolab	Ecolab	Ecolab	Ecolab
	Page 449	Page 449	Page 449	Page 449	Page 449



	BAM033T BMS BS-M-D12-0250-05	BAM0035 BMS CR-M-D12-IS-03	BAM0042 BMS CR-M-D12-IS-04	BAM0034 BMS CR-M-D12-IU-02	BAM003N BMS CR-M-D12-IU-05
	Mounting system	Mounting system	Mounting system	Mounting system	Mounting system
	for reflectors -025-S023..., for reflectors -026-S012..., for reflectors -027-S004..., for photoelectric sensors BOS 6K	For BOS R-11 reflectors	for photoelectric sensors BOS 21M, For BOS R-9 reflectors	For BOS R-1 reflectors, For BOS R-2 reflectors, For BOS R-3 reflectors	For BOS R-1 reflectors
	—	Stainless steel	Stainless steel	Stainless steel	Stainless steel
	Ø 12 x 250 mm	93 x 34.5 x 85 mm	61.5 x 34 x 59 mm	Ø 33 x 39 mm	Ø 84 x 92.5 mm
	Screws, clamps	Clamps	Clamps	Clamps	Clamps
	—	—	—	—	—
	—	—	Ecolab	—	—
	Page 450	Page 450	Page 450	Page 450	Page 450



	BAM002L BMS CR-P-D12-AU-00	BAM0039 BMS BS-M-D12-0250-02	BAM003F BMS BS-M-D12-0250-03	
Principle of operation	Mounting system	Mounting system	Mounting system	
Use	for holding rods with Ø12 mm, for holding rods with 10x10 mm, for all reflectors with Ø20mm	for photoelectric sensors BOS Q08M, for inductive sensors BES, for photoelectric sensors BOS 2K, for photoelectric sensors BOS 5K, for photoelectric sensors BOS 6K	for photoelectric fork sensors BGL 5A, for photoelectric fork sensors BGL 10A, for photoelectric fork sensors BGL 20A, for photoelectric fork sensors BGL 30A, for photoelectric fork sensors BGL 50A	
Material	POM	Aluminum Anodized	Aluminum Anodized	
Dimension	60 x 30 x 30 mm	Ø 12 x 250 mm	Ø 12 x 250 mm	
Mounting	Screws	Clamps	Screws, clamps	
Additional features	—	—	—	
Approval/Conformity	—	—	—	
Productview	Page 450	Page 450	Page 450	



	BAM003H BMS BS-M-D12-0400-04	BAM0043 BMS CS-M-D12-B21K-04	BAM01AW BMS CS-M-D12-B23K-05	BAM003C BMS CS-M-D12-BX05-02	BAM0040 BMS CS-M-D12-BX06-03
	Mounting system	Mounting system	Mounting system	Mounting system	Mounting system
	for photoelectric fork sensors BGL 80A/120A, for photoelectric fork sensors BGL 180A/220A	for photoelectric sensors BOS 21M	for photoelectric sensors BOS 23K, for photoelectric sensors BOS 26K	for photoelectric sensors BOS 21M, for photoelectric sensors BOS 23K, for photoelectric sensors BOS 25K, for photoelectric sensors BOS 26K, for photoelectric sensors BOS 50K, for photoelectric sensors BOS 64K, for photoelectric distance sensors BOD 63M, for photoelectric distance sensors BOD 66M, For BOS R-9 reflectors, For BOS R-22 reflectors, For BOS R-34 reflectors, For BOS R-36 reflectors, For BOS R-44 reflectors, For BOS R-46 reflectors	for photoelectric sensors BOS 2K, for photoelectric sensors BOS 5K, for photoelectric sensors BOS 6K
	Aluminum Anodized	Zinc nickel plated	Stainless steel	Aluminum Anodized	Stainless steel
	Ø 12 x 400 mm	88 x 20 x 56 mm	93 x 30 x 55 mm	120 x 5 x 60 mm	79 x 23 x 28 mm
	Clamps	Clamps	Clamps	Screws, clamps	Screws, clamps
	—	—	—	—	—
	—	—	Ecolab	—	Ecolab
	Page 451	Page 451	Page 451	Page 451	Page 451



	BAM01AY BMS CS-M-D12-BX07-06	BAM01F3 BMS CS-M-D12-BX10-08	BAM01F2 BMS CS-M-D12-BX11-09	
Principle of operation	Mounting system	Mounting system	Mounting system	
Use	Mounting bracket for BIS M-400x, for photoelectric sensors BOS 50K, For BOS R-11 reflectors	for angle sensors BWL, for fork sensor BGL	for line light BVS, for background lights BVS, for angle sensors BWL D	
Material	Stainless steel (1.4571)	Stainless steel	Stainless steel	
Dimension	93 x 34.5 x 85 mm	61 x 34 x 36 mm	185 x 21 x 34 mm	
Mounting	Screws, clamps	Screws, clamps	Screws, clamps	
Additional features	—	—	—	
Approval/Conformity	—	—	—	
Productview	Page 451	Page 451	Page 451	



	BAM0032 BMS CS-M-D12-ID18-01	BAM003L BMS CS-M-D12-ID24-01	BAM0033 BMS CS-M-D12-ID30-01	
Principle of operation	Mounting system	Mounting system	Mounting system	
Use	For M18 sensors	For M24 sensors	For M30 sensors	
Material	Stainless steel	Stainless steel	Stainless steel	
Dimension	Ø 28 x 34 mm	Ø 35 x 41.5 mm	Ø 42 x 47 mm	
Mounting	Clamps	Clamps	Clamps	
Additional features	—	—	—	
Approval/Conformity	Ecolab	Ecolab	Ecolab	
Productview	Page 452	Page 452	Page 452	



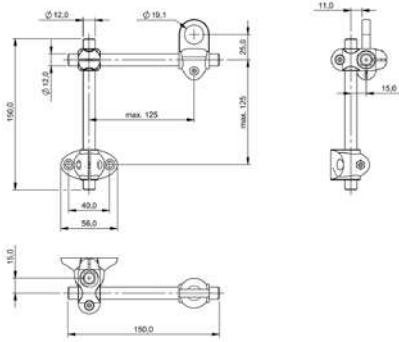
	BAM0277 BMS CS-M-D12-BX17-11	BAM024T BMS CS-M-D12-BZ	BAM0036 BMS CS-M-D12-ID08-01	BAM0037 BMS CS-M-D12-ID12-01	BAM003K BMS CS-M-D12-ID16-01
	Mounting system	Mounting system	Mounting system	Mounting system	Mounting system
	for line light BVS	for mounting system BMS, for holding rods with Ø12 mm	For M08 sensors	For M12 sensors	For M16 sensors
	Stainless steel	Zinc chrome plated, matte	Stainless steel	Stainless steel	Stainless steel
	75 x 3 x 44 mm	45.5 x 24 x 30 mm	Ø 28 x 34 mm	Ø 28 x 34 mm	Ø 33 x 36.5 mm
	Screws	Screws, clamps	Clamps	Clamps	Clamps
	—	—	—	—	—
	—	—	Ecolab	Ecolab	Ecolab
	Page 452	Page 452	Page 452	Page 452	Page 452



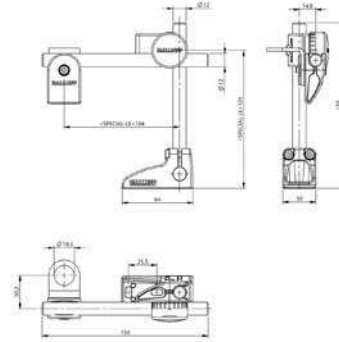
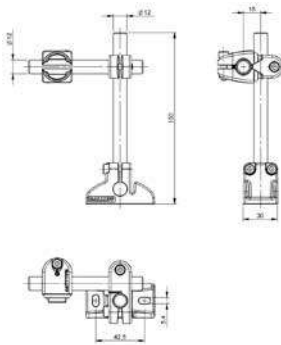
	BAM003M BMS CS-M-D12-ID36-01	BAM003P BMS CS-M-D12-IQ40-02	BAM003R BMS CS-M-D12-IQ40-03	BAM01UL BMS CS-M-D12-IX14-01	BAM002K BMS CS-P-D12-AD08-00
	Mounting system	Mounting system	Mounting system	Mounting system	Mounting system
	For M36 sensors	for capacitive sensors BCS Q40, for inductive sensors BES Q40, for inductive couplers BIC Q40	for capacitive sensors BCS Q40, for inductive sensors BES Q40, for inductive couplers BIC Q40	for capacitive sensors BCS Q40, for inductive sensors BES Q40	for sensors Ø8 mm, For M08 sensors, for holding rods with Ø12 mm, for holding rods with 10x10 mm
	Stainless steel	Stainless steel	Stainless steel	Stainless steel	POM
	Ø 48 x 54 mm	102 x 40 x 60 mm	121 x 3 x 60 mm	39 x 16 x 34 mm	60 x 30 x 30 mm
	Clamps	Screws, clamps	Screws, clamps	Clamps	Clamps
	—	—	—	—	—
	Ecolab	—	—	—	—
	Page 453	Page 453	Page 453	Page 453	Page 453



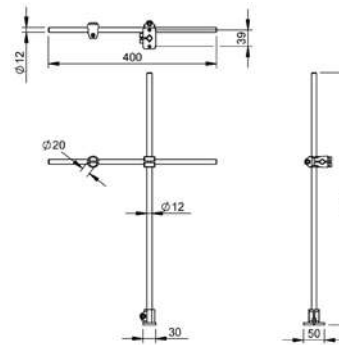
	BAM002N BMS CS-P-D12-AD12-00	BAM002P BMS CS-P-D12-AD18-00		
Principle of operation	Mounting system	Mounting system		
Use	for sensors Ø12 mm, For M12 sensors, for holding rods with Ø12 mm, for holding rods with 10x10 mm	for sensors Ø18 mm, For M18 sensors, for holding rods with Ø12 mm, for holding rods with 10x10 mm		
Material	POM	POM		
Dimension	60 x 30 x 30 mm	60 x 30 x 30 mm		
Mounting	Clamps	Clamps		
Additional features	—	—		
Approval/Conformity	—	—		
Productview	Page 453	Page 453		



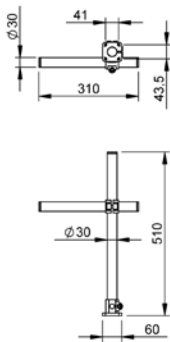
SET011L



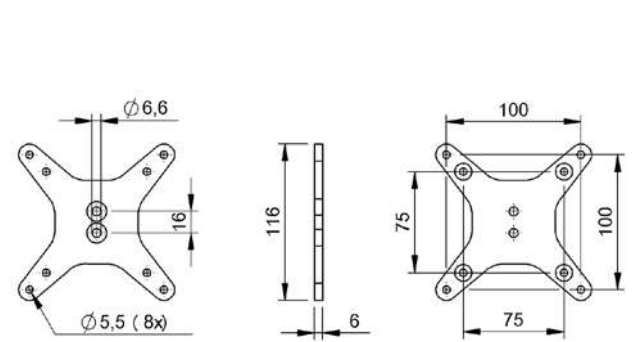
SET011M



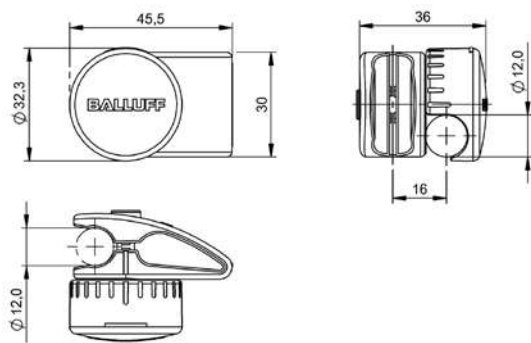
SET01NU



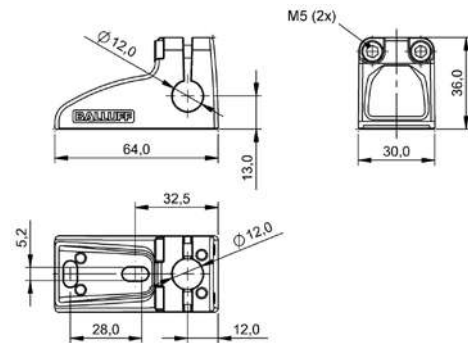
SET01U1



SET01KE



BAM033K

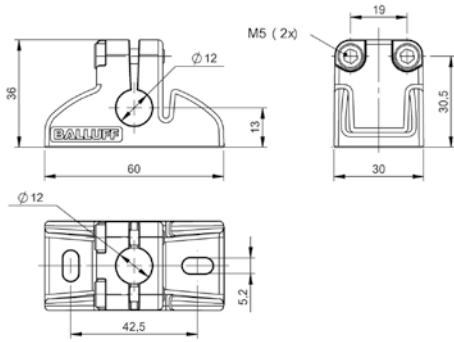


BAM024R

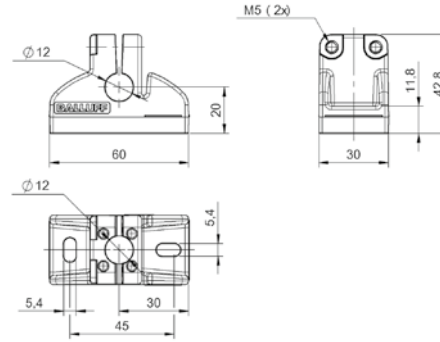


BAM024P

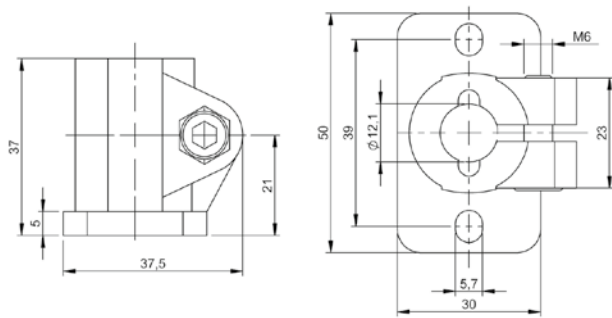




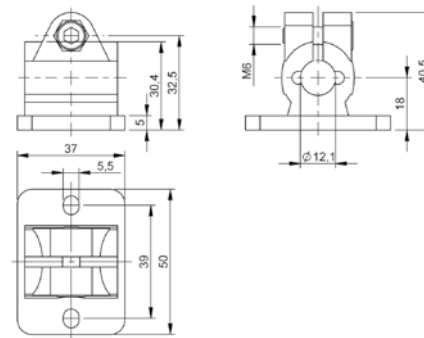
BAM0275



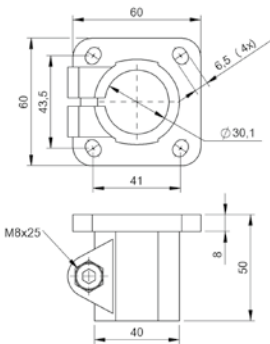
BAM02JT



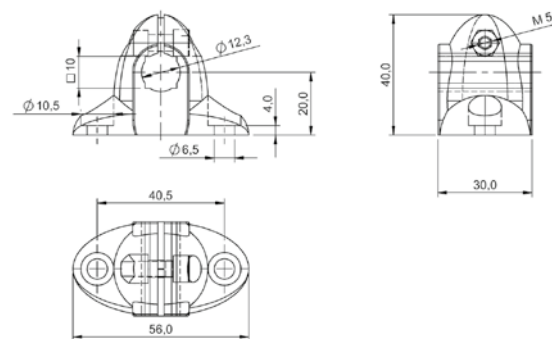
BAM03EU



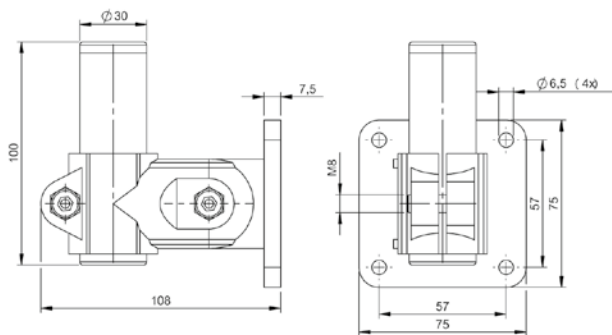
BAM03EW



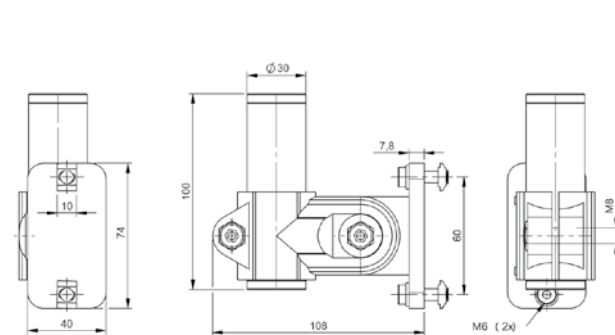
BAM033U



BAM002J



BAM034K



BAM034L

Sensors

RFID

Machine Vision and Optical Identification

Human Machine Interfaces

Safety

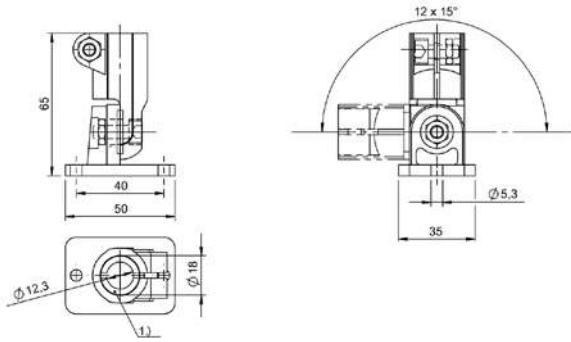
Industrial Networking

Software and System Solutions

Power Supply

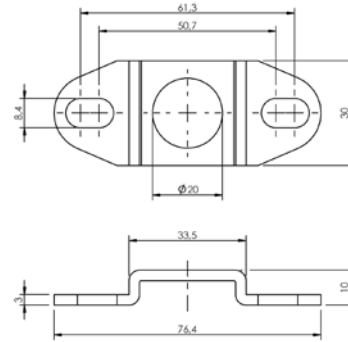
Connectivity

Accessories

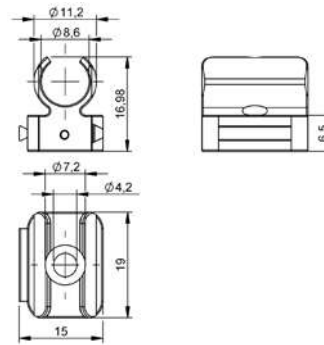
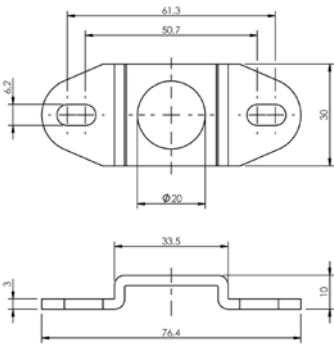


1) Reducing sleeve

BAM002Y

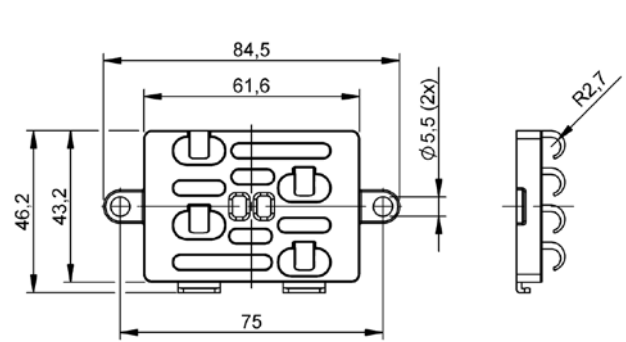
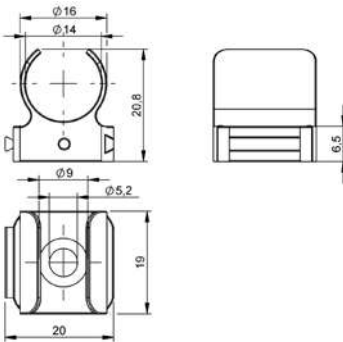


BAM0044



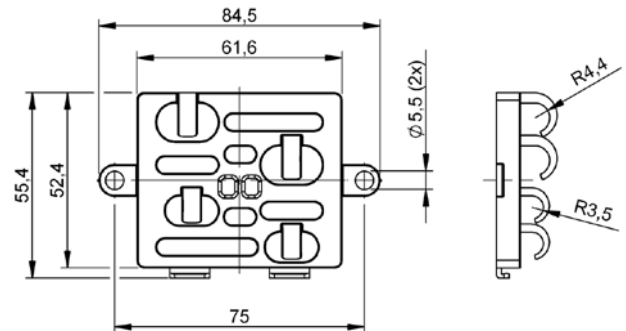
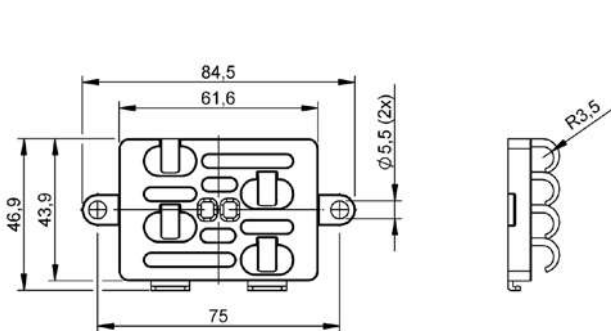
BAM01CH

BAM03CF



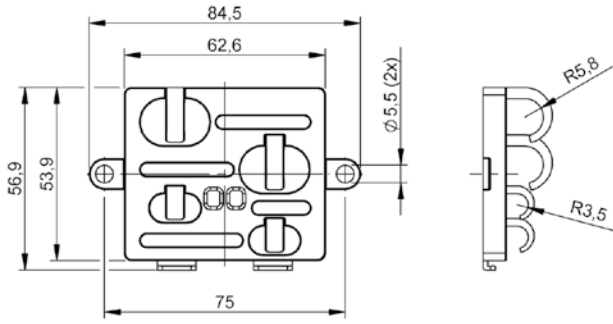
BAM03CH

BAM03AK

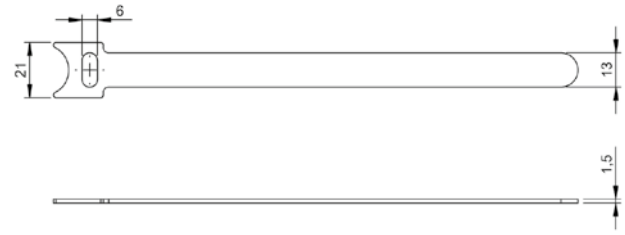


BAM03AL

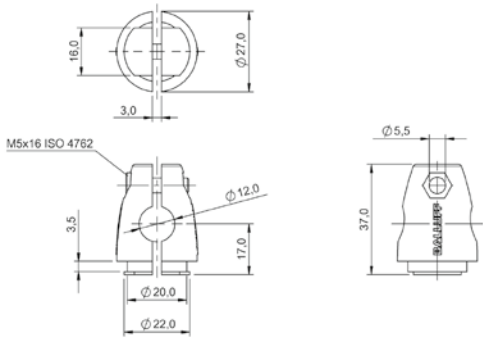
BAM03AM



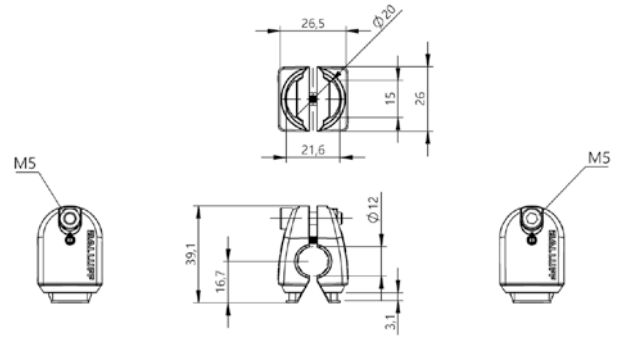
BAM03AN



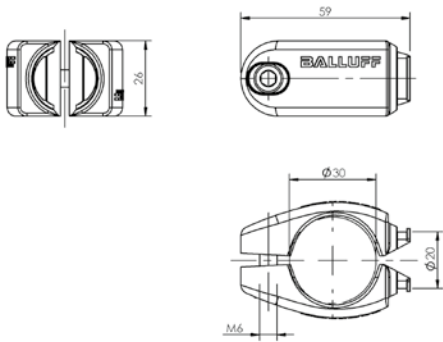
BAM032T



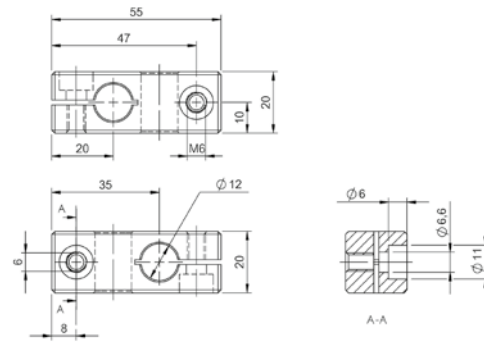
BAM0031, BAM003Y



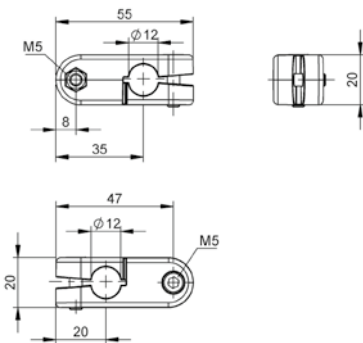
BAM032T



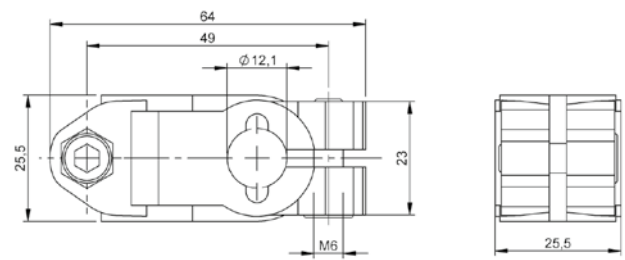
BAM0031, BAM003Y



BAM035N



BAM035A



BAM002Z

BAM035P

BAM035P

Sensors

RFID

Machine Vision and Optical Identification

Human Machine Interfaces

Safety

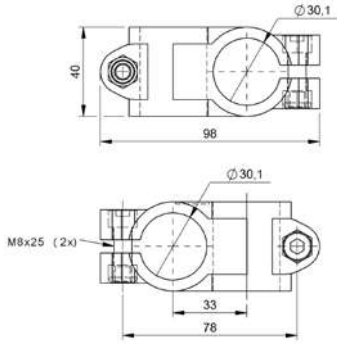
Industrial Networking

Software and System Solutions

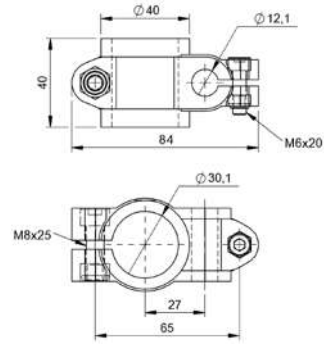
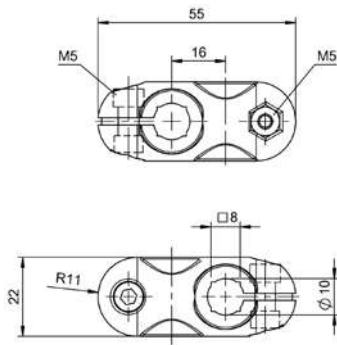
Power Supply

Connectivity

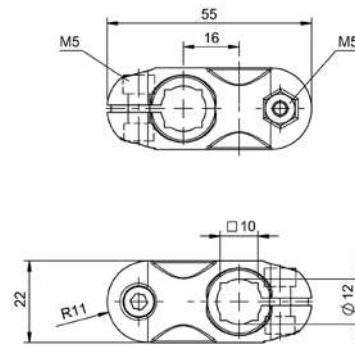
Accessories



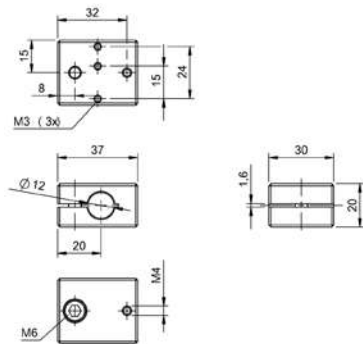
BAM033W



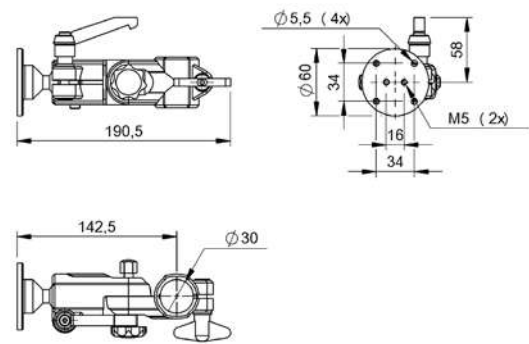
BAM033Y



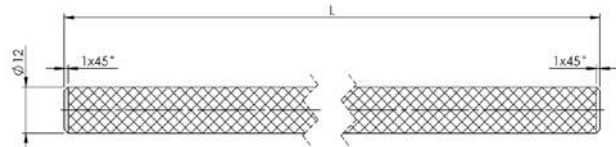
BAM003U



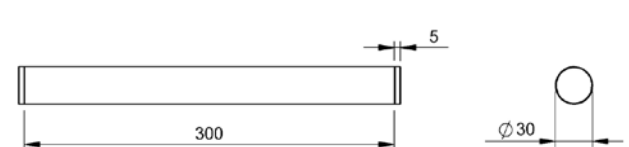
BAM002M



BAM01CW



BAM0343

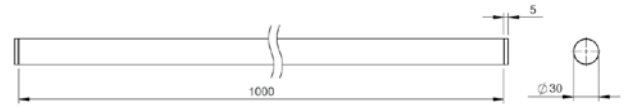


BAM021Y, BAM002R, BAM021T, BAM002T, BAM021W, BAM021U, BAM002U

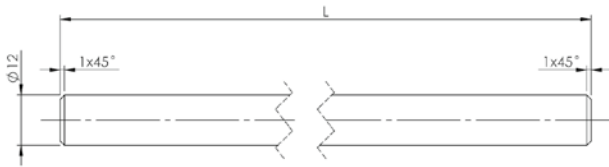
BAM033Z



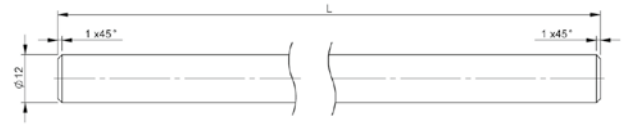
BAM0340



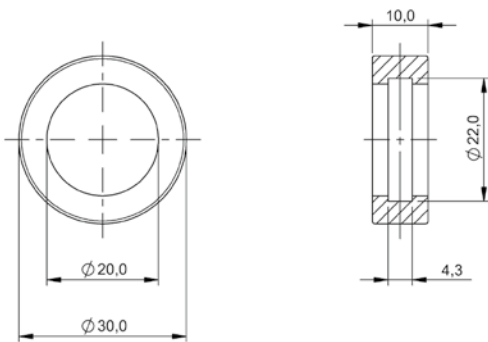
BAM0341



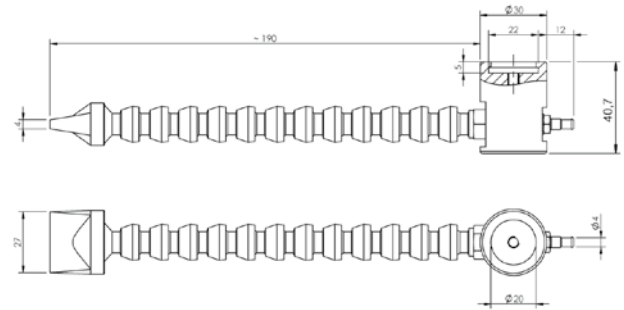
BAM0045, BAM0046



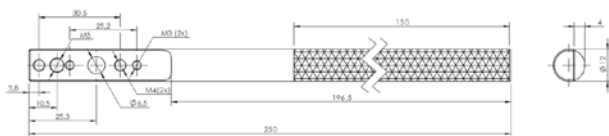
BAM03F0, BAM03F1, BAM03F2



BAM003J



BAM0041



BAM003A

Sensors

RFID

Machine Vision and
Optical Identification

Human Machine
Interfaces

Safety

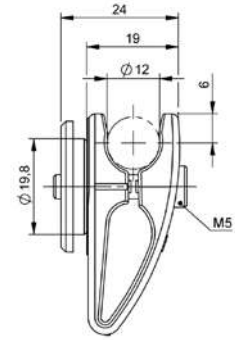
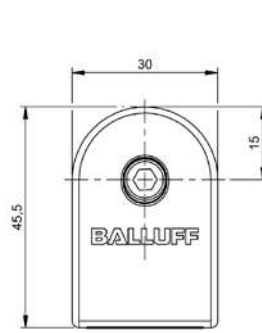
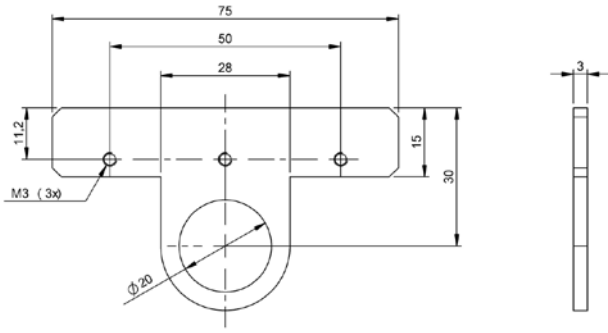
Industrial Networking

Software and
System Solutions

Power Supply

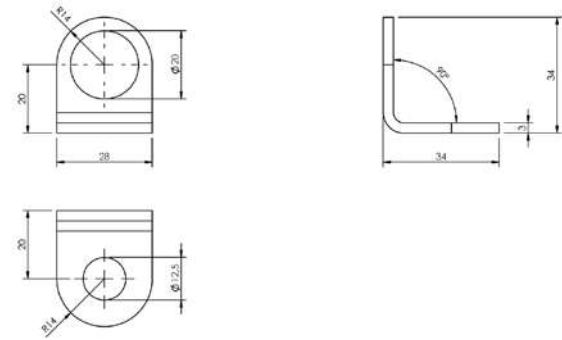
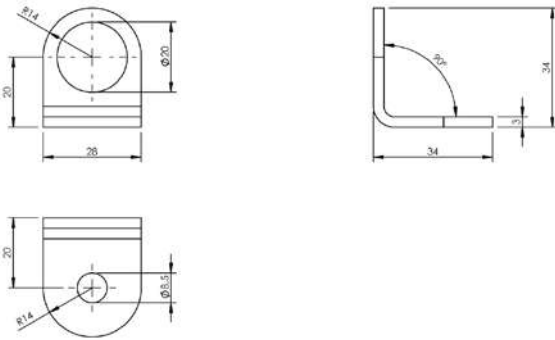
Connectivity

Accessories



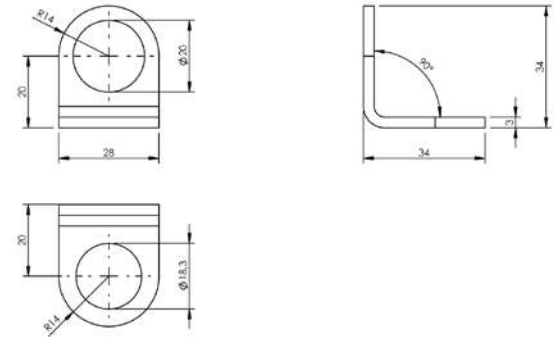
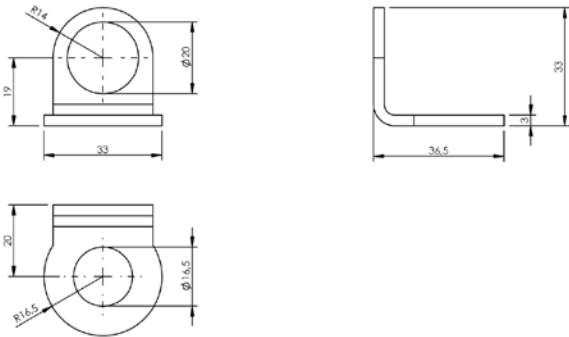
BAM0277

BAM024T



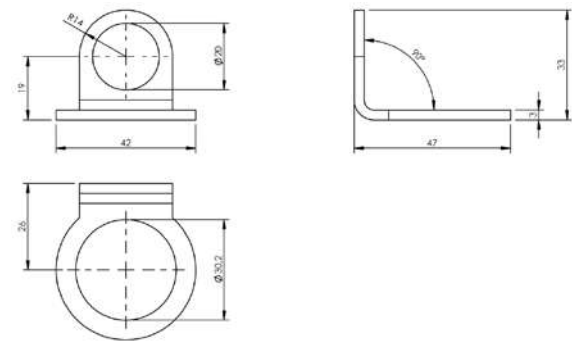
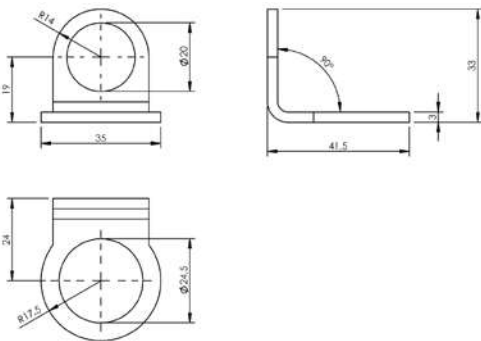
BAM0036

BAM0037



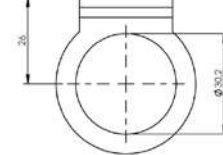
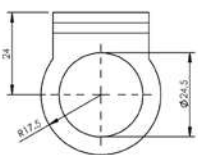
BAM003K

BAM0032



BAM003L

BAM0033





	BAM0099 BES 05,0-KH-2S	BAM0313 BAM MC-XA-023-D08,0-2-FS	BAM0318 BAM MC-XA-023-D08,0-2-FXL/W	
Use	For sensors Ø5 mm, for M05 sensors, fastening length 30 mm and longer	For M08 sensors, for sensors Ø8 mm, fastening length 32 mm and longer	For M08 sensors, for sensors Ø8 mm, fastening length 50 mm and longer	
Material	Stainless steel (1.4104)	Brass nickel plated	Brass, PTFE coated	
Dimension	Ø 13 x 24 mm	Ø 19.5 x 28 mm	Ø 19.5 x 48 mm	
Mounting	Screws, terminals	Screws, terminals	Screws, terminals	
Additional features	—	—	Weld immune	
Productview	Page 460	Page 460	Page 460	



	BAM00AR BES 08,0-KH-6S	BAM01UT BAM MC-XA-020-D12,0-2-FS/W	BAM0247 BAM MC-XA-023-D12,0-2-FM/W	
Use	For sensors Ø8 mm, for M08 sensors, fastening length 32 mm and longer	For sensors Ø12 mm, for M12 sensors, fastening length 32 mm and longer	For sensors Ø12 mm, for M12 sensors, fastening length 36 mm and longer	
Material	Stainless steel (1.4305)	Brass, PTFE coated	Brass, PTFE coated	
Dimension	Ø 17 x 32 mm	Ø 22 x 34 mm	Ø 23 x 34 mm	
Mounting	Screws, terminals	Screws, terminals	Screws, terminals	
Additional features	—	Weld immune	Weld immune	
Productview	Page 460	Page 460	Page 461	



	BAM0310 BAM MC-XA-023-D08,0-4-FS/W	BAM00AE BES 08,0-KH-2L	BAM00AH BES 08,0-KH-2S	BAM00AK BES 08,0-KH-2S/W	BAM00AL BES 08,0-KH-3L
	For M08 sensors, for sensors Ø8 mm, fastening length 32 mm and longer	For sensors Ø8 mm, for M08 sensors, fastening length 50 mm and longer	For sensors Ø8 mm, for M08 sensors, fastening length 32 mm and longer	For sensors Ø8 mm, for M08 sensors, fastening length 32 mm and longer	For M08 sensors, for sensors Ø8 mm, fastening length 50 mm and longer
	Stainless steel (1.4104), coated, PTFE	Brass nickel plated	Brass nickel plated	Brass, PTFE coated	PBT nickel plated
	Ø 19.5 x 28 mm	Ø 17 x 48.5 mm	Ø 17 x 32 mm	Ø 17 x 32 mm	Ø 17 x 48.5 mm
	Screws, terminals	Screws, terminals	Screws, terminals	Screws, terminals	Screws, terminals
	Weld immune	—	—	Weld immune	—
	Page 460	Page 460	Page 460	Page 460	Page 460



	BAM0246 BAM MC-XA-023-D12,0-2-FS	BAM024E BAM MC-XA-024-D12,0-2-FM/W	BAM024F BAM MC-XA-024-D12,0-2-FXL/W	BAM00CY BES 12,0-KH-2L	BAM00CZ BES 12,0-KH-2L/W
	For sensors Ø12 mm, for M12 sensors, fastening length 32 mm and longer	For sensors Ø12 mm, for M12 sensors, fastening length 40 mm and longer	For sensors Ø12 mm, for M12 sensors, fastening length 50 mm and longer	For sensors Ø12 mm, for M12 sensors, fastening length 46 mm and longer	For sensors Ø12 mm, for M12 sensors, fastening length 46 mm and longer
	Brass nickel plated	Brass, PTFE coated	Brass, PTFE coated	Brass nickel plated	Brass, PTFE coated
	Ø 23 x 30.5 mm	Ø 23 x 38 mm	Ø 23 x 48.5 mm	Ø 22 x 44.5 mm	Ø 22 x 44.5 mm
	Screws, terminals	Screws, terminals	Screws, terminals	Screws, terminals	Screws, terminals
	—	Weld immune	Weld immune	—	Weld immune
	Page 461	Page 461	Page 461	Page 461	Page 461



	BAM00E0 BES 12,0-KH-2S	BAM00E1 BES 12,0-KH-2S/W	BAM00E2 BES 12,0-KH-3L	
Use	For sensors Ø12 mm, for M12 sensors, fastening length 36 mm and longer	For sensors Ø12 mm, for M12 sensors	For M12 sensors, fastening length 46 mm and longer	
Material	Brass nickel plated	Brass, PTFE coated	PBT	
Dimension	Ø 22 x 34 mm	Ø 22 x 34 mm	Ø 22 x 44.5 mm	
Mounting	Screws, terminals	Screws, terminals	Screws, terminals	
Additional features	—	Weld immune	—	
Productview	Page 461	Page 461	Page 461	



	BAM00FR BES 18,0-KH-2M	BAM00FT BES 18,0-KH-2S	BAM00FW BES 18,0-KH-2S/W	
Use	For sensors Ø18 mm, for M18 sensors, fastening length 50 mm and longer	For sensors Ø18 mm, for M18 sensors, fastening length 36 mm and longer	For sensors Ø18 mm, for M18 sensors, fastening length 40 mm and longer	
Material	Brass nickel plated	Brass nickel plated	Brass, PTFE coated	
Dimension	Ø 30 x 48.5 mm	Ø 30 x 36 mm	Ø 30 x 36 mm	
Mounting	Screws, terminals	Screws, terminals	Screws, terminals	
Additional features	—	—	Weld immune	
Productview	Page 462	Page 462	Page 462	



	BAM022L BAM MC-XA-023-D18,0-2-FL	BAM022K BAM MC-XA-023-D18,0-2-FS	BAM022M BAM MC-XA-024-D18,0-2-FM/W	BAM00FN BES 18,0-KH-2L	BAM00FP BES 18,0-KH-2L/W
	For sensors Ø18 mm, for M18 sensors, fastening length 50 mm and longer	For sensors Ø18 mm, for M18 sensors, fastening length 40 mm and longer	For sensors Ø18 mm, for M18 sensors, fastening length 50 mm and longer	For sensors Ø18 mm, for M18 sensors, fastening length 50 mm and longer	For sensors Ø18 mm, for M18 sensors, fastening length 60 mm and longer
	Brass nickel plated	Brass nickel plated	Brass coated, PTFE LCP	Brass nickel plated	Brass, PTFE coated
	Ø 32 x 48.5 mm	Ø 32 x 36 mm	Ø 32 x 46 mm	Ø 30 x 58 mm	Ø 30 x 58 mm
	Screws, terminals	Screws, terminals	Screws, terminals	Screws, terminals	Screws, terminals
	—	—	Weld immune	—	Weld immune
	Page 461	Page 462	Page 462	Page 462	Page 462



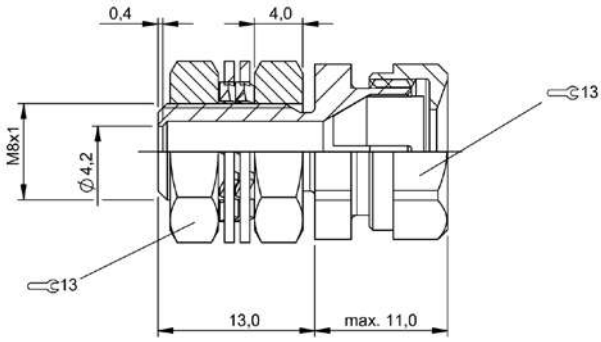
	BAM00FY BES 18,0-KH-3L	BAM0264 BAM MC-XA-023-D30,0-2-FS	BAM0265 BAM MC-XA-023-D30,0-2-FXL	BAM024C BAM MC-XA-023-D30,0-2-FXL/W	BAM024H BAM MC-XA-024-D30,0-2-FM/W
	For M18 sensors, fastening length 60mm and longer	For sensors Ø30 mm, for M30 sensors, fastening length 40 mm and longer	For sensors Ø30 mm, for M30 sensors, fastening length 60 mm and longer	For sensors Ø30 mm, for M30 sensors, fastening length 60 mm and longer	For sensors Ø30 mm, for M30 sensors, fastening length 50 mm and longer
	PBT	Brass nickel plated	Brass nickel plated	Brass, PTFE coated	Brass, PTFE coated
	Ø 30 x 59.5 mm	Ø 45 x 36 mm	Ø 45 x 58 mm	Ø 45 x 58 mm	Ø 45 x 48 mm
	Screws, terminals	Screws, terminals	Screws, terminals	Screws, terminals	Screws, terminals
	—	—	—	Weld immune	Weld immune
	Page 462	Page 462	Page 462	Page 462	Page 463



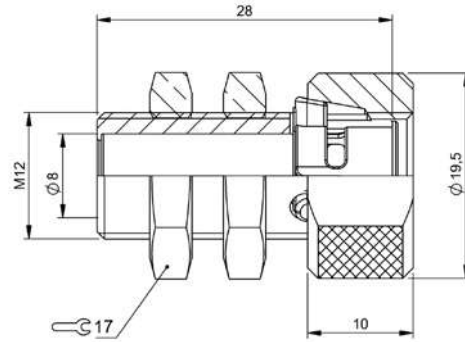
	BAM00.J4 BES 30,0-KH-2L	BAM00.J5 BES 30,0-KH-2L/W	BAM00.J6 BES 30,0-KH-2S	
Use	For sensors Ø30 mm, for M30 sensors, fastening length 60 mm and longer	For sensors Ø30 mm, for M30 sensors, fastening length 60 mm and longer	For sensors Ø30 mm, for M30 sensors, fastening length 36 mm and longer	
Material	Brass nickel plated	Brass, PTFE coated	Brass nickel plated	
Dimension	Ø 41 x 58 mm	Ø 41 x 58 mm	Ø 41 x 36 mm	
Mounting	Screws, terminals	Screws, terminals	Screws, terminals	
Additional features	—	Weld immune	—	
Productview	Page 463	Page 463	Page 463	



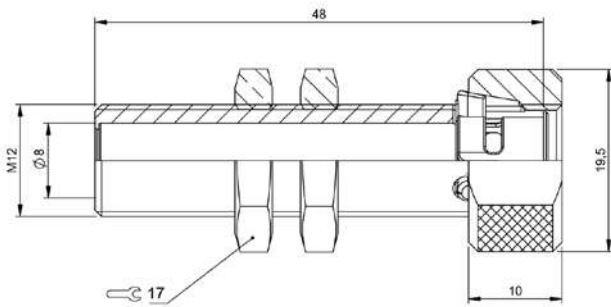
BAM00J7 BES 30,0-KH-2S/W				
For sensors Ø30 mm, for M30 sensors, fastening length 36 mm and longer				
Brass, PTFE coated				
Ø 41 x 36 mm				
Screws, terminals				
Weld immune				
Page 463				



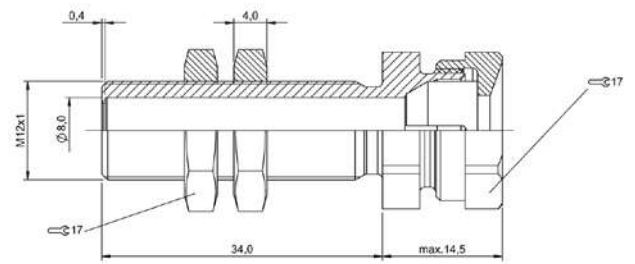
BAM0099



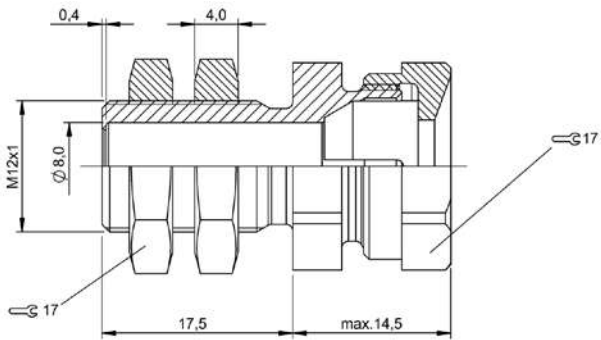
BAM0313, BAM0310



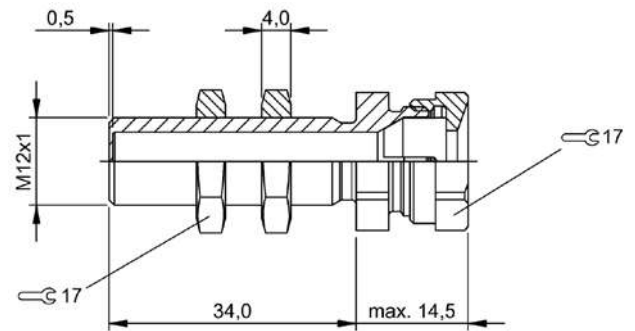
BAM0318



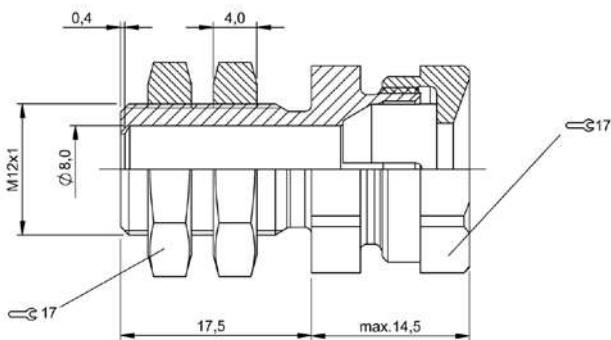
BAM00AE



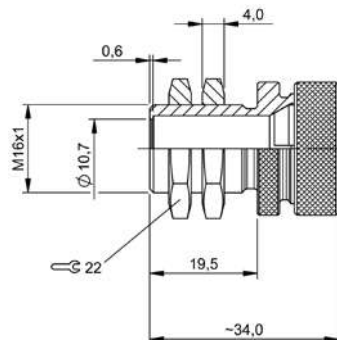
BAM00AH, BAM00AK



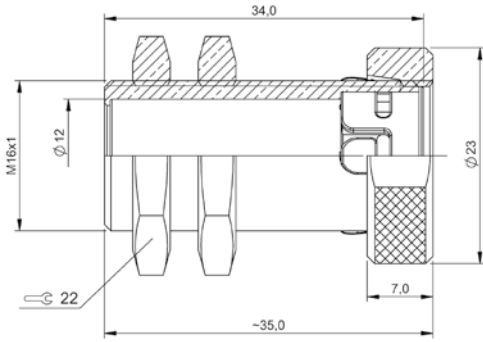
BAM00AL



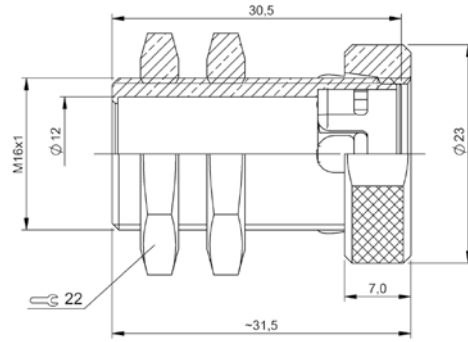
BAM00AR



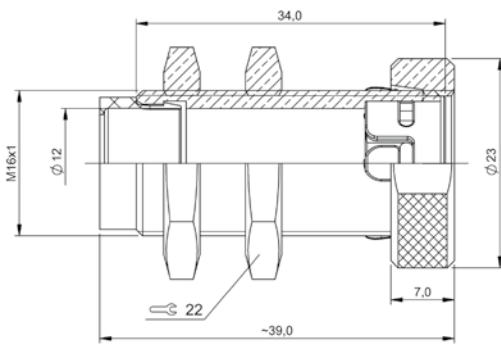
BAM01UT



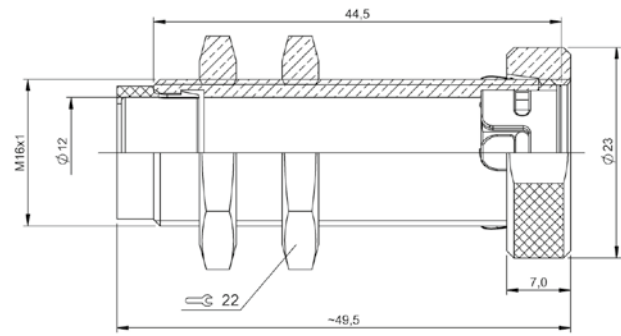
BAM0247



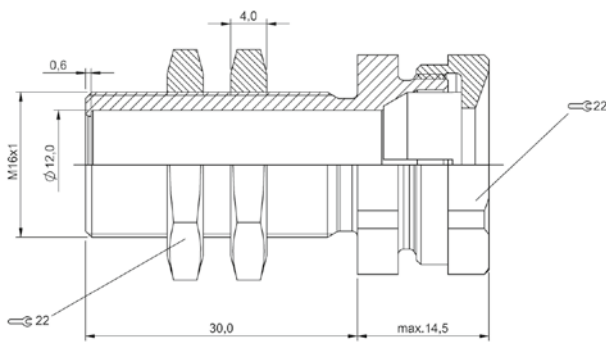
BAM0246



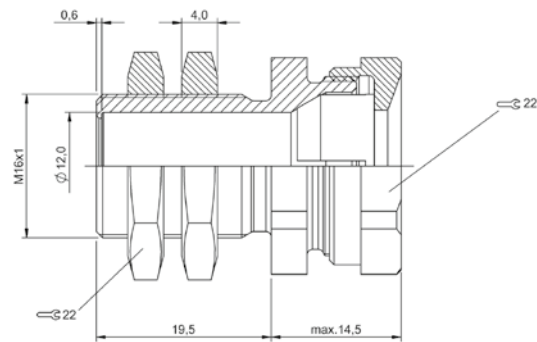
BAM024E



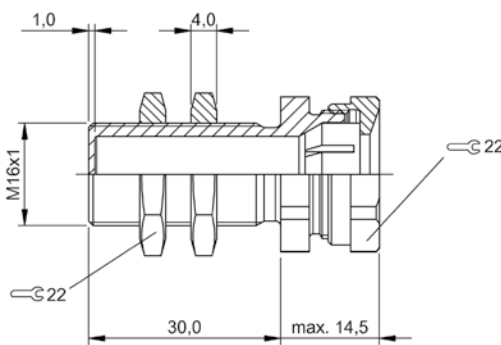
BAM024F



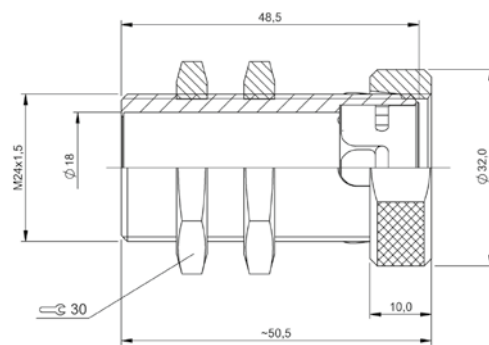
BAM00CY, BAM00CZ



BAM00E0, BAM00E1



BAM00E2



BAM022L

Sensors

RFID

Machine Vision and
Optical Identification

Human Machine
Interfaces

Safety

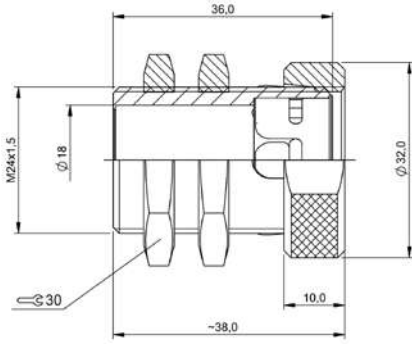
Industrial Networking

Software and
System Solutions

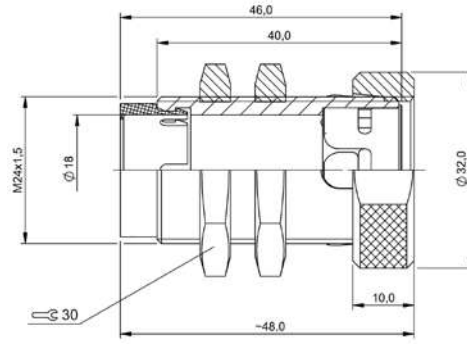
Power Supply

Connectivity

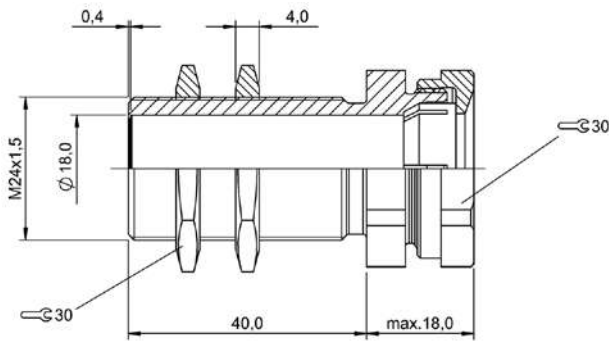
Accessories



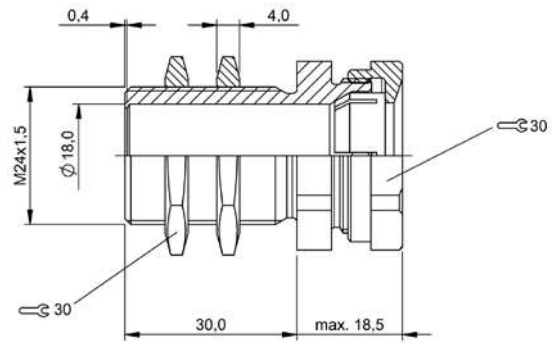
BAM022K



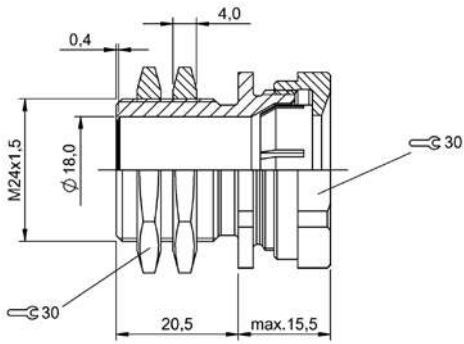
BAM022M



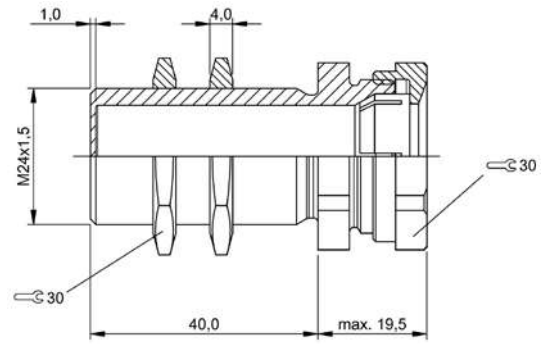
BAM00FN, BAM00FP



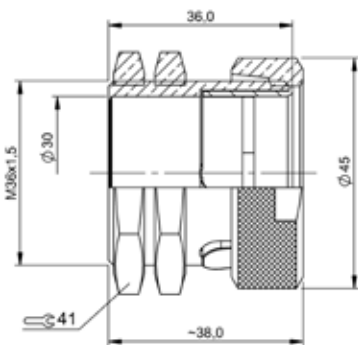
BAM00FR



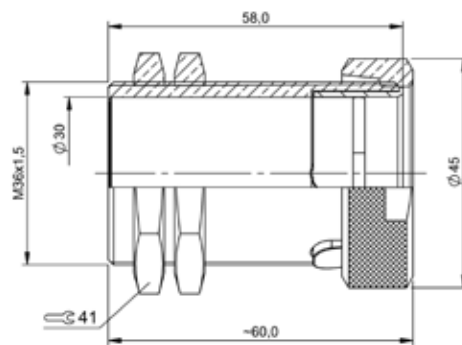
BAM00FT, BAM00FW



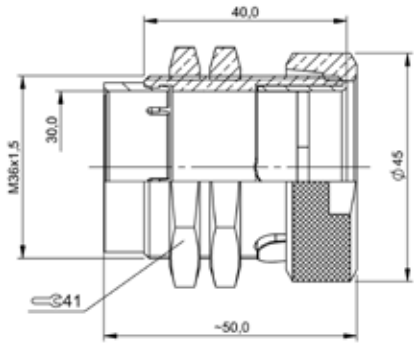
BAM00FY



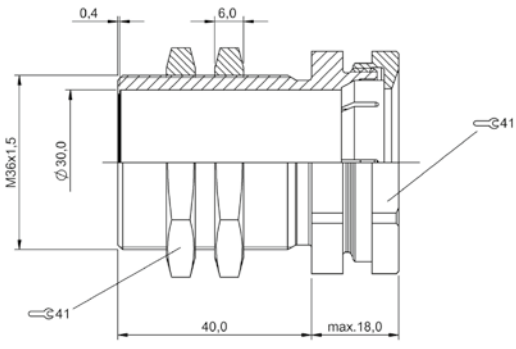
BAM0264



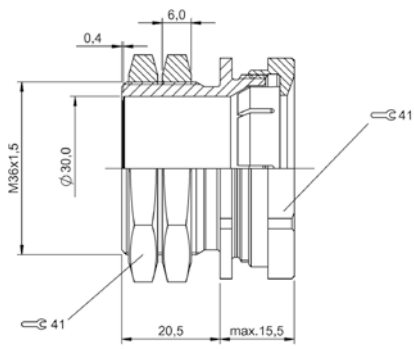
BAM0265, BAM024C



BAM024H



BAM00J4, BAM00J5



BAM00J6, BAM00J7

Sensors

RFID

Machine Vision and
Optical Identification

Human Machine
Interfaces

Safety

Industrial Networking

Software and
System Solutions

Power Supply

Connectivity

Accessories



	BAM02P1 BAM MC-CS-043-R08-R-01	BAM02P2 BAM MC-CS-043-R08-R-02	BAM037T BAM MC-XA-054-D02,0-4	
Use	for capacitive sensors BCS R08	for capacitive sensors BCS R08	for sensors and fiber optics Ø2	
Material	PP	PP	Brass nickel plated	
Dimension	22 x 10 x 35 mm	75 x 9.4 x 54 mm	8 x 10 mm	
Mounting	Screws, terminals	Screws, terminals	Screws, terminals	
Ambient temperature	-25...85 °C	-25...85 °C	-25...85 °C	
Approval/Conformity	—	—	—	
Productview	Page 466	Page 466	Page 466	



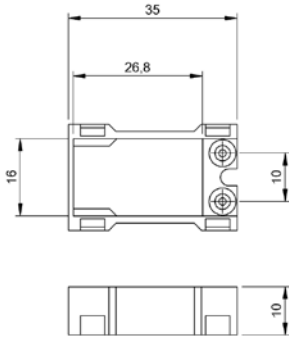
	BAM000W BAM MC-XA-002-D06,5-2	BAM000Y BAM MC-XA-002-D08,0-2	BAM0349 BAM MC-XA-049-D18,0-5	
Use	for sensors Ø6.5 mm	for sensors Ø8 mm	for ultrasonic sensors BUS, for sensors Ø18 mm	
Material	Brass nickel plated	Brass nickel plated	Stainless steel (1.4404) Silicon SI 70/101	
Dimension	8 x 11 mm	10 x 12 mm	Ø 30 x 25.5 mm	
Mounting	Screws, terminals	Screws, terminals	Screws, terminals	
Ambient temperature	-25...85 °C	-25...85 °C	-20...80 °C	
Approval/Conformity	—	—	EHEDG conformal	
Productview	Page 467	Page 467	Page 467	



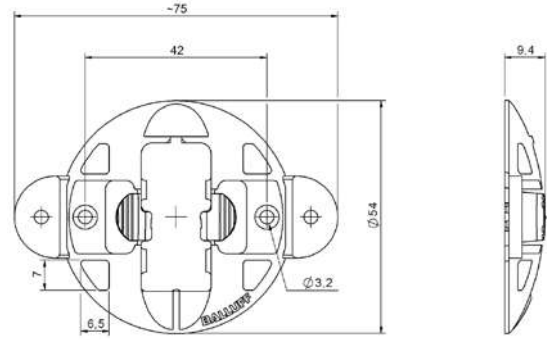
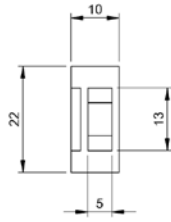
	BAM000T BAM MC-XA-002-D03,0-2	BAM037U BAM MC-XA-054-D03,0-4	BAM000U BAM MC-XA-002-D04,0-2	BAM037W BAM MC-XA-054-D04,0-4	BAM037Y BAM MC-XA-054-D05,0-4
	for sensors and fiber optics Ø3	for sensors and fiber optics Ø3	for sensors and fiber optics Ø4	for sensors and fiber optics Ø4	for sensors and fiber optics Ø5
	Brass nickel plated	Brass nickel plated	Brass nickel plated	Brass nickel plated	Brass nickel plated
	5 x 7 mm	8 x 10 mm	6 x 7 mm	8 x 10 mm	8 x 10 mm
	Screws, terminals	Screws, terminals	Screws, terminals	Screws, terminals	Screws, terminals
	-25...85 °C	-25...85 °C	-25...85 °C	-25...85 °C	-25...85 °C
	—	—	—	—	—
	Page 466	Page 466	Page 466	Page 466	Page 466



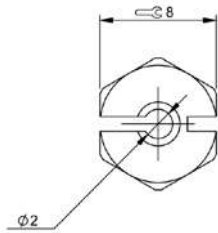
	BAM034A BAM MC-XA-049-D30,0-5				
	for ultrasonic sensors BUS, for sensors Ø30 mm				
	Stainless steel (1.4404) Silicon SI 70/101				
	Ø 50 x 40 mm				
	Screws, terminals				
	-20...80 °C				
	EHEDG conformal				
	Page 467				



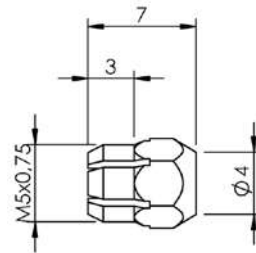
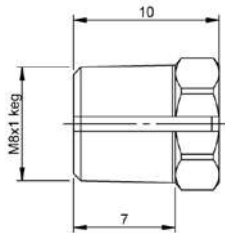
BAM02P1



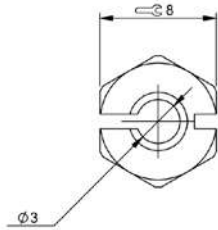
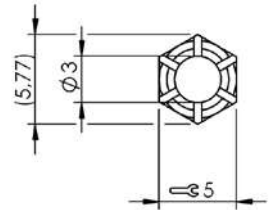
BAM02P2



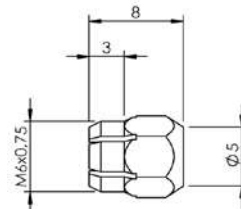
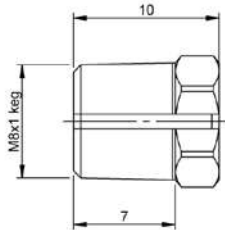
BAM037T



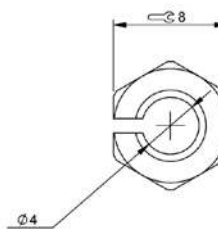
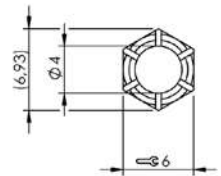
BAM000T



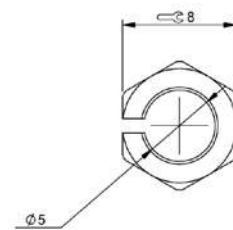
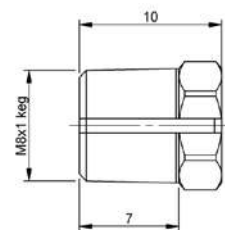
BAM037U



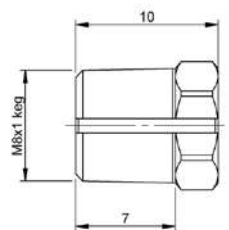
BAM000U

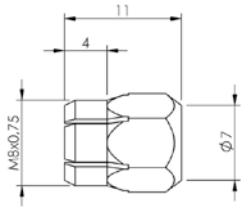


BAM037W

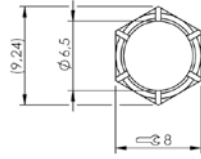


BAM037Y

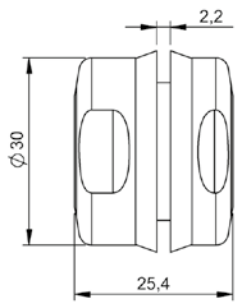
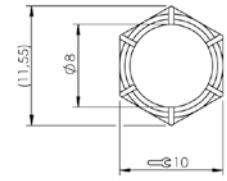
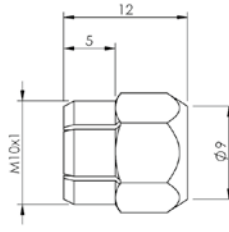




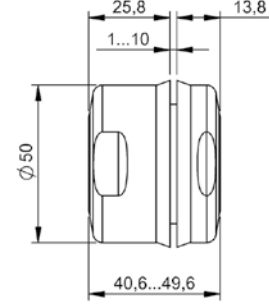
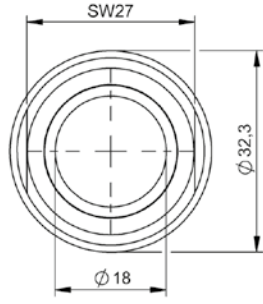
BAM000W



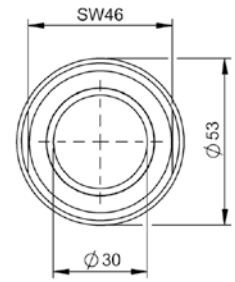
BAM000Y



BAM0349



BAM034A





	BAM009A BES 06,5-BS-1	BAM0269 BAM MC-XA-027-D08,0-1	BAM00A2 BES 08,0-BS-1	
Version	Mounting clamp	Mounting clamp	Mounting clamp	
Use	for sensors Ø6.5 mm	for sensors Ø8 mm	for sensors Ø8 mm	
Material	PA 6	Aluminum Anodized	PA 6	
Dimension	27 x 12 x 16 mm	12 x 15 x 27 mm	27 x 12 x 16 mm	
Mounting	Screws, clamps	Screws, clamps	Screws, clamps	
Approval/Conformity	—	—	—	
Productview	Page 478	Page 478	Page 478	



	BAM00F2 BES 18,0-BS-1	BAM00F3 BES 18,0-BS-2	BAM0327 BAM MC-XA-027-D20,0-1	
Version	Mounting clamp	Mounting clamp	Mounting clamp	
Use	for sensors Ø18 mm and M18, for read/write heads Ø18 mm	for sensors Ø18 mm and M18	for machine light Ø20 mm, for line laser Ø20 mm	
Material	PA 6	PBT	Aluminum anodized, natural	
Dimension	36 x 12 x 26 mm	20 x 32 x 40 mm	15 x 30 x 40 mm	
Mounting	Screws, clamps	Screws, clamps	Screws, clamps	
Approval/Conformity	—	—	—	
Productview	Page 479	Page 479	Page 479	



BAM0218 BAM MC-XA-027-D12,0-1	BAM00C4 BES 12,0-BS-1	BAM00EM BES 14,5-BS-1	BAM00ET BES 16,0-BS-1	BAM0219 BAM MC-XA-027-D18,0-1
Mounting clamp	Mounting clamp	Mounting clamp	Mounting clamp	Mounting clamp
for sensors Ø12 mm, for M12 sensors	for sensors Ø12 mm, for read/write heads Ø12 mm	for sensors Ø14.5 mm, for read/write heads Ø14.5 mm, for RFID system BIS C-300	for sensors Ø16 mm, for read/write heads Ø16 mm	for sensors Ø18 mm, for M18 sensors
Aluminum Anodized	PA 6	PA 6	PA 6	Aluminum Anodized
12 x 20 x 32 mm	32 x 12 x 20 mm	32 x 12 x 20 mm	36 x 12 x 26 mm	12 x 26 x 36 mm
Screws, clamps	Screws, clamps	Screws, clamps	Screws, clamps	Screws, clamps
—	—	—	—	—
Page 478	Page 478	Page 478	Page 478	Page 478



BAM0377 BAM MC-XA-053-D20,0-1	BAM00H7 BES 20,0-BS-1	BAM01U0 BAM MC-XA-017-D30,0-1	BAM00HN BES 30,0-BS-1	BAM035Y BAM FS-AM-011-D45,0-4
Mounting clamp	Mounting clamp	Mounting clamp	Mounting clamp	Holder
for machine light Ø20 mm, for line laser Ø20 mm	for sensors Ø20 mm	for sensors Ø30 mm, for M30 sensors	for sensors Ø30 mm, for M30 sensors, for read/write heads Ø30 mm	for machine light Ø45 mm, for mounting cuff Ø45mm
Aluminum anodized, natural	PA 6	Aluminum Anodized	PA 6 GF	Stainless steel
15 x 29 x 35 mm	45 x 15 x 30 mm	15 x 46 x 64 mm	55 x 18 x 39 mm	1.5 x 40 x 76 mm
Screws, clamps	Screws, clamps	Screws, clamps	Screws, clamps	Clamps
—	—	—	Ecolab	—
Page 479	Page 479	Page 479	Page 479	Page 479

Sensors

RFID

Machine Vision and Optical Identification

Human Machine Interfaces

Safety

Industrial Networking

Software and System Solutions

Power Supply

Connectivity

Accessories



	BAM0379 BAM MC-XA-050-D45,0-1	BAM0360 BAM MC-XE-051-D45,0-3	BAM035Z BAM MC-XE-052-D45,0-1	
Version	Installation set	Mounting clamp	Installation set	
Use	for machine light Ø45 mm	for machine light Ø45 mm	for machine light Ø45 mm	
Material	Aluminum, anodized, natura	Steel, Zinc plated EPDM	Aluminum, anodized, natural	
Dimension	34 x 62.3 x 50 mm	16 x 62.5 x 80 mm	20 x 56 x 50 mm	
Mounting	Screws, clamps	Clamps	Clamps	
Approval/Conformity	—	—	—	
Productview	Page 480	Page 480	Page 480	



	BAM00JW BES Q40-HW-1	BAM00JY BES Q40-HW-2	BAM00JZ BES Q40-HW-3	
Version	Holder	Mounting block	Mounting block	
Use	for inductive sensors BES Q40	for capacitive sensors BCS Q40, for inductive sensors BES Q40, for inductive couplers BIC Q40	For processors BIS C-324, for capacitive sensors BCS Q40, for inductive sensors BES Q40, for inductive couplers BIC Q40	
Material	Aluminum Anodized	Die-cast zinc	Aluminum Anodized	
Dimension	61.5 x 5 x 35 mm	40 x 25 x 40 mm	22 x 40 x 40 mm	
Mounting	Screws	Screws, clamps	Screws, clamps	
Approval/Conformity	—	—	—	
Productview	Page 481	Page 481	Page 481	



	BAM00PO BFO 08,0-KB-1	BAM02WA BAM MB-XE-031-Q40-A	BAM034N BAM MB-XE-031-Q40-A-01	BAM01TM BAM MC-XA-016-Q40-1	BAM026J BAM MC-XA-032-Q40-1
	Mounting block	Holder	Holder	Holder	Holder
	for sensors Ø8 mm	for inductive couplers BIC Q40, for inductive sensors BES Q40	for capacitive sensors BCS Q40, for inductive sensors BES Q40	for capacitive sensors BCS Q40, for Unicomcompact sensors, for inductive sensors BES Q40, for inductive couplers BIC Q40	for capacitive sensors BCS Q40, for inductive sensors BES Q40, for inductive couplers BIC Q40
	Aluminum	PA 6	PA 6	Aluminum Anodized Plastic	Aluminum Anodized
	16 x 20 x 12 mm	40 x 30 x 62.7 mm	40 x 30 x 65 mm	100 x 5 x 40 mm	50 x 5 x 80 mm
	Screw M3	Screws	Screws	Screws	Screws
	—	—	—	—	—
	Page 480	Page 480	Page 480	Page 480	Page 480



	BAM00K3 BES R04-MF-01	BAM02Y5 BAM MB-XA-029-D30,0-5	BAM0158 BES 516-MB-08	BAM0159 BES 516-MB-12	BAM015A BES 516-MB-18
	Holder	Mounting bracket	Mounting bracket	Mounting bracket	Mounting bracket
	for inductive sensors BES R04	for sensors Ø30 mm, for temperature sensor BTS M30	For M08 sensors	For M12 sensors	For M18 sensors
	Stainless steel	Stainless steel (1.4404)	Stainless steel	Stainless steel	Stainless steel
	4 x 16.2 x 9 mm	50 x 63 x 108 mm	29 x 34 x 76 mm	29 x 34 x 76 mm	29 x 34 x 76 mm
	Screws	Clamps	Screws	Screws	Screws
	—	—	CE, EAC, WEEE	CE, EAC, WEEE	CE, EAC, WEEE
	Page 481	Page 481	Page 481	Page 481	Page 481

Sensors

RFID

Machine Vision and
Optical Identification

Human Machine
Interfaces

Safety

Industrial Networking

Software and
System Solutions

Power Supply

Connectivity

Accessories



	BAM015C BES 516-MB-30	BAM0092 BES 03,0-KB-3	BAM0094 BES 04,0-KB-1	
Version	Mounting bracket	Mounting block	Mounting block	
Use	For M30 sensors	for sensors and fiber optics Ø3	for sensors and fiber optics Ø4	
Material	Stainless steel	PA 6	PA 6	
Dimension	48 x 55 x 108 mm	16 x 12 x 20 mm	17 x 12 x 9 mm	
Mounting	Screws	Screws, clamps	Screws, clamps	
Approval/Conformity	CE, EAC, WEEE	—	—	
Productview	Page 482	Page 482	Page 482	



	BAM009F BES 06,5-KB-7	BAM00A4 BES 08,0-KB-10/W	BAM00A5 BES 08,0-KB-3	
Version	Mounting block	Mounting block	Mounting block	
Use	for sensors Ø6.5 mm	for sensors Ø8 mm, for M08 sensors	for sensors Ø8 mm, for M08 sensors	
Material	Aluminum Anodized	Steel galvanized	PA 6	
Dimension	16 x 12 x 20 mm	35 x 12.7 x 28.6 mm	16 x 12 x 20 mm	
Mounting	Screws, clamps	Screws, clamps	Screws, clamps	
Approval/Conformity	—	—	—	
Productview	Page 483	Page 483	Page 483	



	BAM0095 BES 04,0-KB-3	BAM0097 BES 05,0-KB-1	BAM0098 BES 05,0-KB-3	BAM009C BES 06,5-KB-1	BAM009E BES 06,5-KB-3
	Mounting block	Mounting block	Mounting block	Mounting block	Mounting block
	for sensors and fiber optics Ø4	for sensors Ø5 mm, for M05 sensors	for sensors Ø5 mm, for M05 sensors	for sensors Ø6.5 mm	for sensors Ø6.5 mm
	PA 6	PA 6	PA 6	PA 6	PA 6
	16 x 12 x 20 mm	17 x 12 x 9 mm	16 x 12 x 20 mm	17 x 12 x 9 mm	16 x 12 x 20 mm
	Screws, clamps	Screws, clamps	Screws, clamps	Screws, clamps	Screws, clamps
	—	—	—	—	—
	Page 482	Page 482	Page 482	Page 482	Page 482



	BAM00A6 BES 08,0-KB-3-F	BAM00AA BES 08,0-KB-7	BAM00AW BES 08,1-KB-4-F	BAM00C6 BES 12,0-KB-10/W	BAM00C7 BES 12,0-KB-2
	Mounting clamp with positive stop	Mounting block	Mounting clamp with positive stop	Mounting block	Mounting block
	for sensors Ø8 mm, for M08 sensors	for sensors Ø8 mm, for M08 sensors	for sensors Ø8 mm, for M08 sensors	for sensors Ø12 mm, for M12 sensors	for sensors Ø12 mm, for M12 sensors
	PA 6	Aluminum Anodized	Aluminum	Steel galvanized	PA 6
	16 x 12 x 20 mm	16 x 12 x 20 mm	28 x 30 x 12 mm	38.1 x 19 x 34.9 mm	40 x 16 x 40 mm
	Screws, clamps	Screws, clamps	Screws, clamps	Screws, clamps	Screws, clamps
	—	—	—	—	—
	Page 483	Page 483	Page 483	Page 483	Page 483



	BAM00C9 BES 12,0-KB-3	BAM00CA BES 12,0-KB-3-F	BAM00CF BES 12,0-KB-4-F	
Version	Mounting block	Mounting clamp with positive stop	Mounting clamp with positive stop	
Use	for sensors Ø12 mm, for M12 sensors	for sensors Ø12 mm, for M12 sensors	for sensors Ø12 mm, for M12 sensors	
Material	PA 6	PA 6	Aluminum Anodized	
Dimension	40 x 18 x 30 mm	40 x 18 x 30 mm	35 x 16 x 28 mm	
Mounting	Screws, clamps	Screws, clamps	Screws, clamps	
Approval/Conformity	—	—	—	
Productview	Page 484	Page 484	Page 484	



	BAM00FC BES 18,0-KB-4-F	BAM00FE BES 18,0-KB-5-F	BAM00T3 BOS 18,0-KB-1	
Version	Mounting clamp with positive stop	Mounting clamp with positive stop	Mounting clamp with ball joint	
Use	for sensors Ø18 mm, for M18 sensors	for sensors Ø18 mm, for M18 sensors	For M18 sensors	
Material	Aluminum Anodized	PC	PA GF	
Dimension	40 x 22 x 28 mm	30 x 24 x 29 mm	32.5 x 66 x 57.2 mm	
Mounting	Screws, clamps	Clamps	Screws, clamps	
Approval/Conformity	—	—	—	
Productview	Page 485	Page 485	Page 485	



	BAM00EK BES 12,0-KB-9S	BAM01KM BOS 12,0-KB-1	BAM00F5 BES 18,0-KB-10/W	BAM00F7 BES 18,0-KB-3	BAM00F8 BES 18,0-KB-3-F
	Mounting block	Mounting clamp with ball joint	Mounting block	Mounting block	Mounting clamp with positive stop
	for sensors Ø12 mm, for M12 sensors	For M12 sensors	for sensors Ø18 mm, for M12 sensors	for sensors Ø18 mm, for M18 sensors	for sensors Ø18 mm, for M18 sensors
	Aluminum	PA	Steel galvanized	PA 6	PA 6
	31.8 x 18 x 38.1 mm	32.5 x 66 x 57.2 mm	38.1 x 25.4 x 38.1 mm	40 x 24 x 30 mm	40 x 24 x 30 mm
	Screws, clamps	Screws, clamps	Screws, clamps	Screws, clamps	Screws, clamps
	—	—	—	—	—
	Page 484	Page 484	Page 484	Page 484	Page 484



	BAM00HR BES 30,0-KB-10/W	BAM00HU BES 30,0-KB-3-F	BAM00HW BES 30,0-KB-4-F	BAM00HY BES 30,0-KB-5-F	BAM00TN BOS 30,0-KB-1
	Mounting block	Mounting clamp with positive stop	Mounting clamp with positive stop	Mounting clamp with positive stop	Mounting clamp with ball joint
	for sensors Ø30 mm, for M30 sensors	for sensors Ø30 mm, for M30 sensors	for sensors Ø30 mm, for M30 sensors	for sensors Ø30 mm, for M30 sensors	For M30 sensors
	Steel galvanized	PA 6	Aluminum Anodized	PC	PA GF
	44.5 x 38.1 x 60 mm	54 x 36 x 30 mm	56 x 34 x 34 mm	35 x 35 x 41 mm	32.5 x 66 x 57.2 mm
	Screws, clamps	Screws, clamps	Screws, clamps	Clamps	Screws, clamps
	—	—	—	—	—
	Page 485	Page 485	Page 485	Page 485	Page 485

Sensors

RFID

Machine Vision and Optical Identification

Human Machine Interfaces

Safety

Industrial Networking

Software and System Solutions

Power Supply

Connectivity

Accessories



	BAM02UE BAM MC-XA-014-Q08-2	BAM00N.J BES Q08-KH-2	BAM01AU BES Q08-KH-3	
Version	Holder	Holder	Holder	
Use	for photoelectric sensors BOS Q08M	for photoelectric sensors BOS Q08M	for photoelectric sensors BOS Q08M	
Material	Brass White bronze	Copper Zinc plated	Copper Zinc plated	
Dimension	13.5 x 14 x 65 mm	17.6 x 12.1 x 61.5 mm	17.6 x 12.1 x 60 mm	
Mounting	Minitec Profile	Item Profile 8mm slot	Bosch profile 10 mm slit	
Approval/Conformity	—	—	—	
Productview	Page 486	Page 486	Page 486	



	BAM009U BES 08-HW-1	BAM00CO BES 12-HW-1	BAM00EY BES 18-HW-1	BAM00HH BES 30-HW-1	
	Mounting bracket	Mounting bracket	Mounting bracket	Mounting bracket	
	For M08 sensors, for positive stop M8	For M12 sensors, for positive stop M12	For M18 sensors, for positive stop M18	For M30 sensors, for positive stop M30	
	Aluminum	Aluminum	Aluminum	Aluminum	
	25 x 30 x 30 mm	25 x 30 x 30 mm	30 x 40 x 40 mm	40 x 40 x 60 mm	
	Screws	Screws	Screws	Screws	
	—	—	—	—	
	Page 486	Page 486	Page 486	Page 486	

Sensors

RFID

Machine Vision and
Optical Identification

Human Machine
Interfaces

Safety

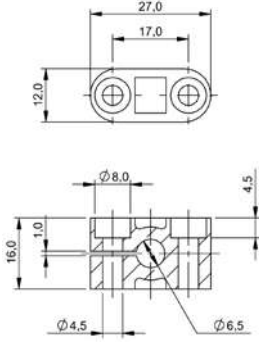
Industrial Networking

Software and
System Solutions

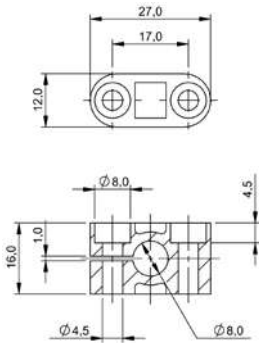
Power Supply

Connectivity

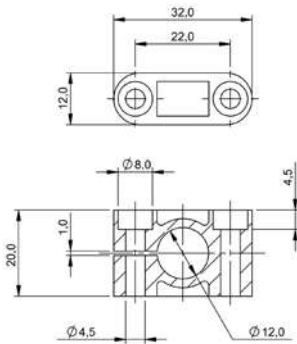
Accessories



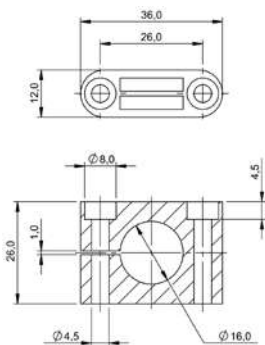
BAM009A



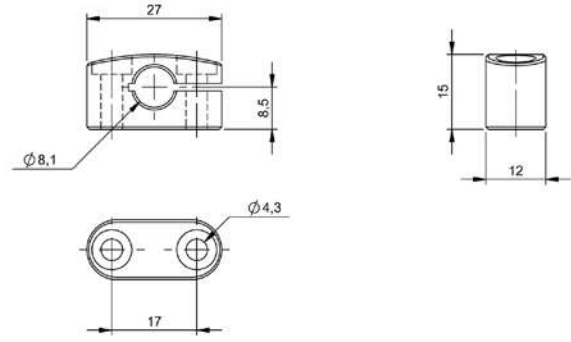
BAM00A2



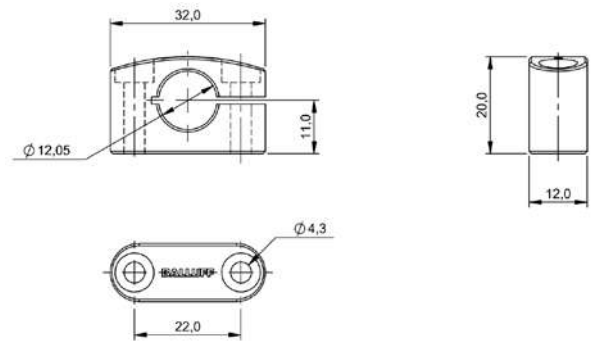
BAM00C4



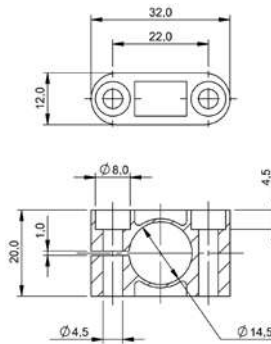
BAM00ET



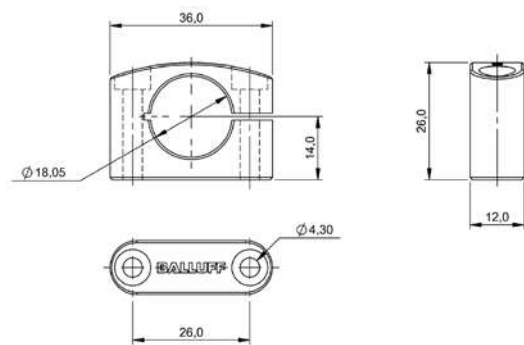
BAM0269



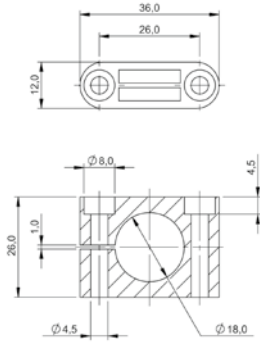
BAM0218



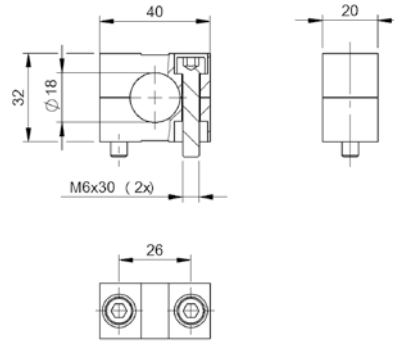
BAM00EM



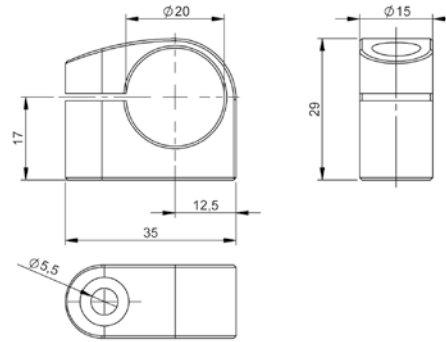
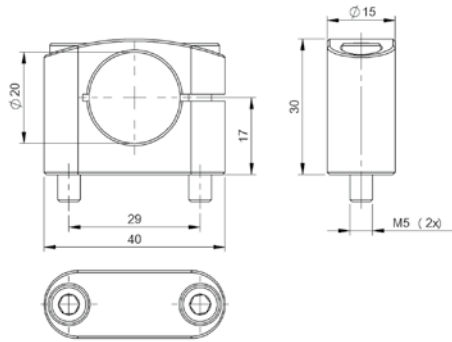
BAM0219



BAM00F2

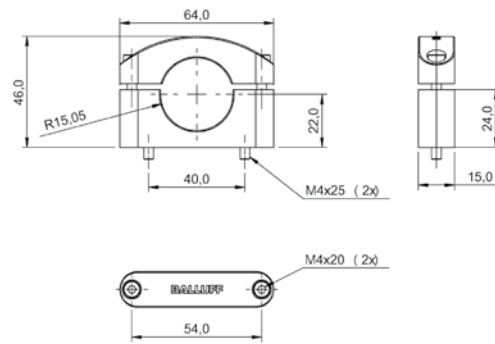
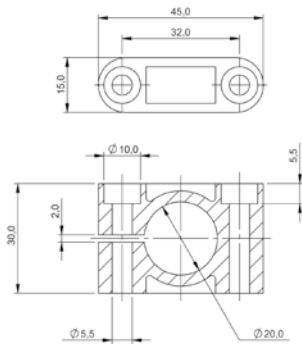


BAM00F3



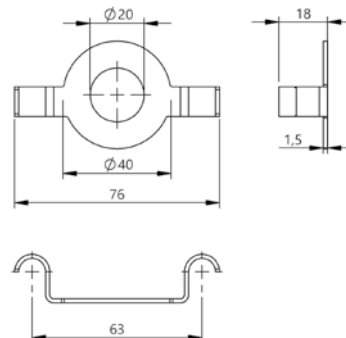
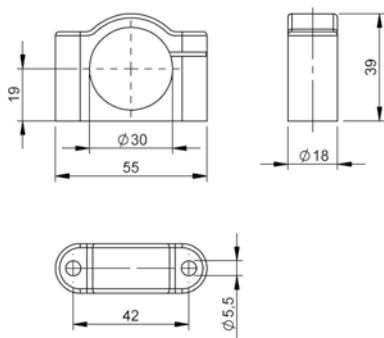
BAM0327

BAM0377



BAM00H7

BAM01U0



BAM00HN

BAM035Y

Sensors

RFID

Machine Vision and
Optical Identification

Human Machine
Interfaces

Safety

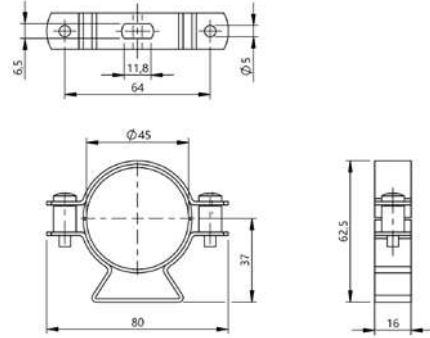
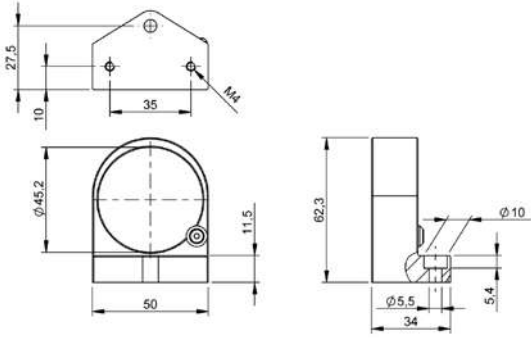
Industrial Networking

Software and
System Solutions

Power Supply

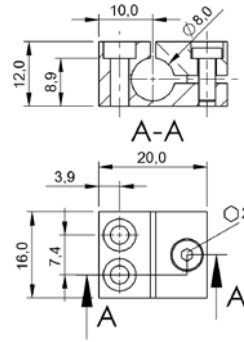
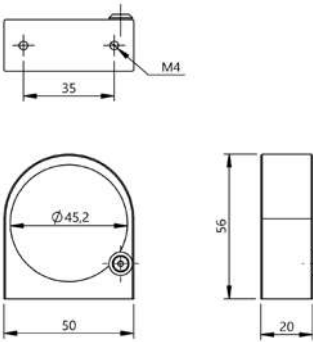
Connectivity

Accessories



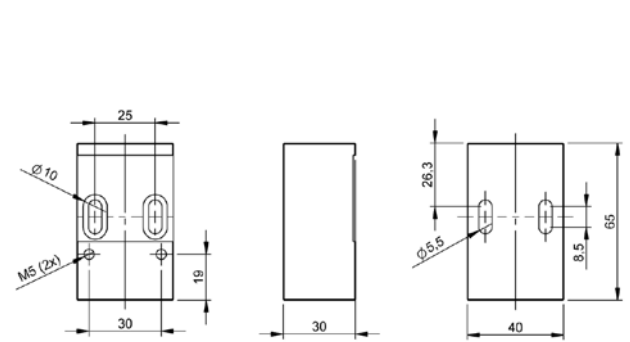
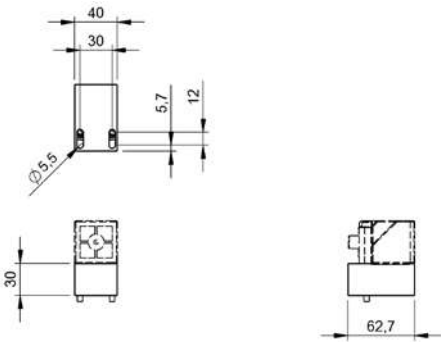
BAM0379

BAM0360



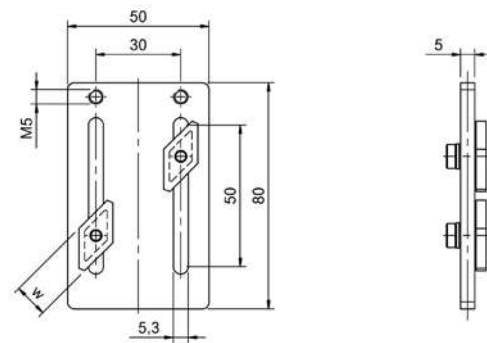
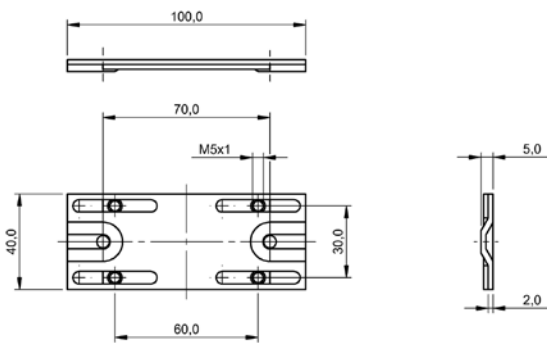
BAM035Z

BAM00P0



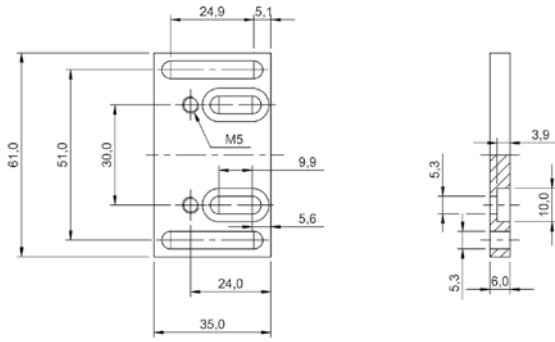
BAM02WA

BAM034N

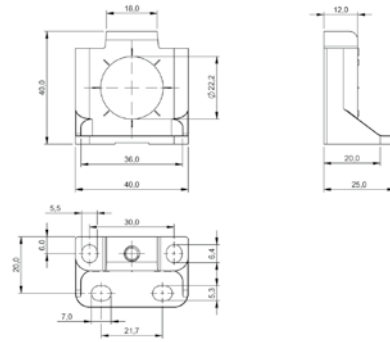


BAM01TM

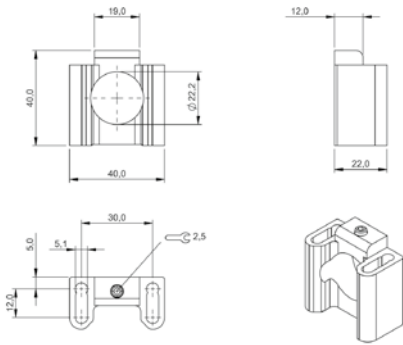
BAM026J



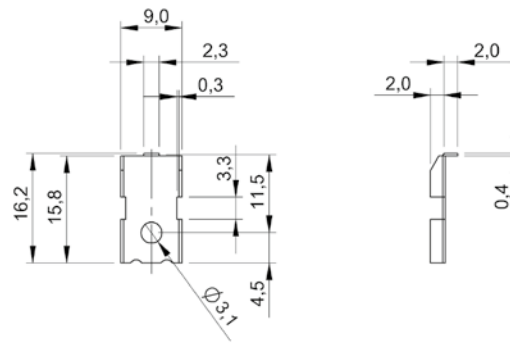
BAM00JW



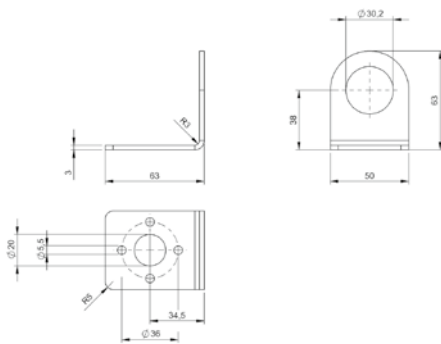
BAM00JY



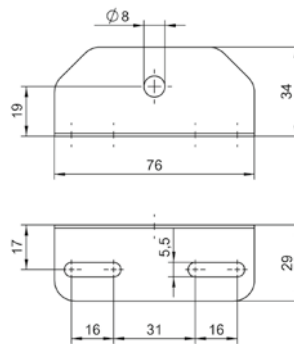
BAM00JZ



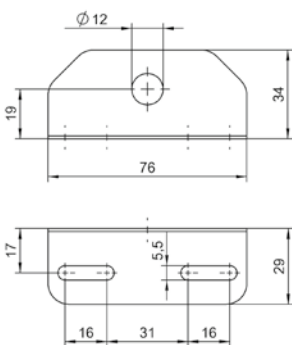
BAM00K3



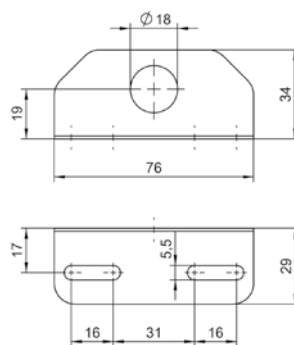
BAM02Y5



BAM0158



BAM0159



BAM015A

Sensors

RFID

Machine Vision and Optical Identification

Human Machine Interfaces

Safety

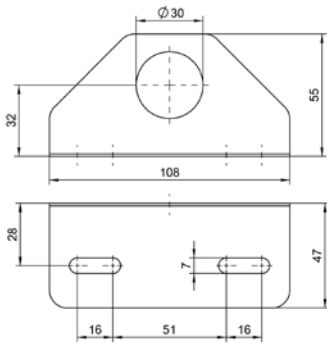
Industrial Networking

Software and System Solutions

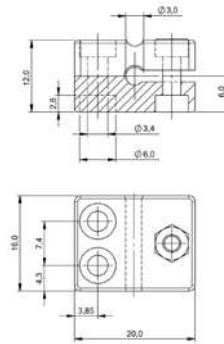
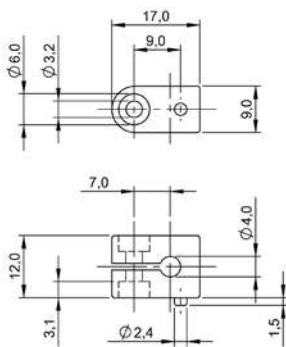
Power Supply

Connectivity

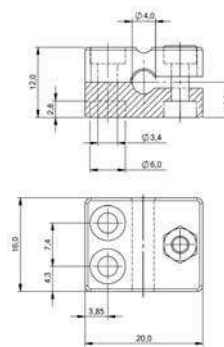
Accessories



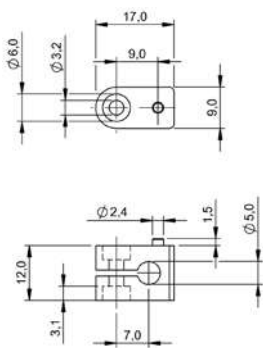
BAM015C



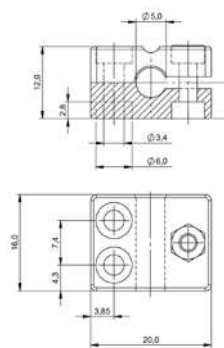
BAM0092



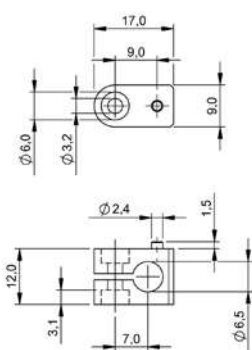
BAM0094



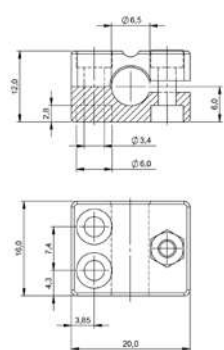
BAM0095



BAM0097

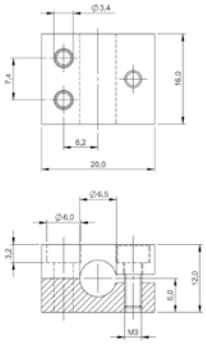


BAM0098

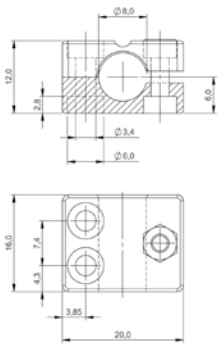


BAM009C

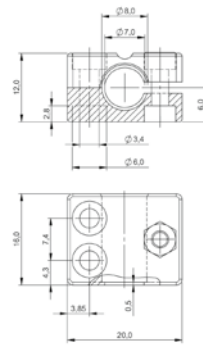
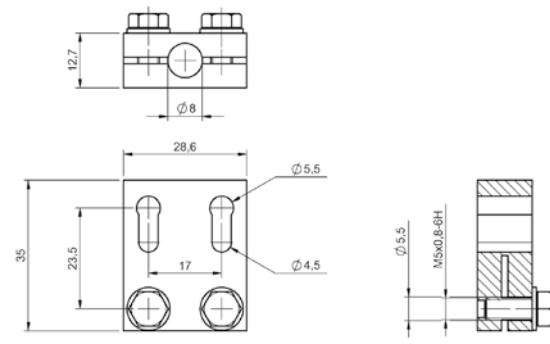
BAM009E



BAM009F

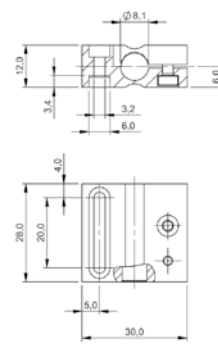
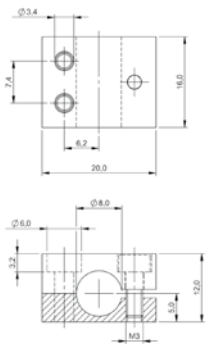


BAM0004



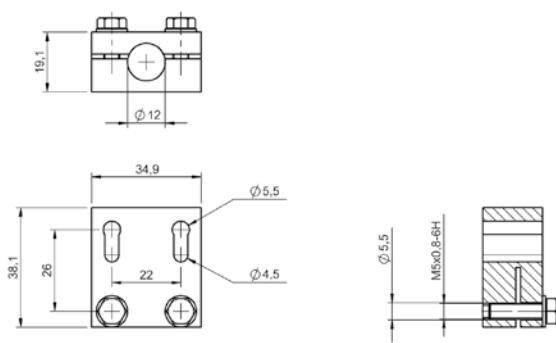
BAM0005

BAM0006

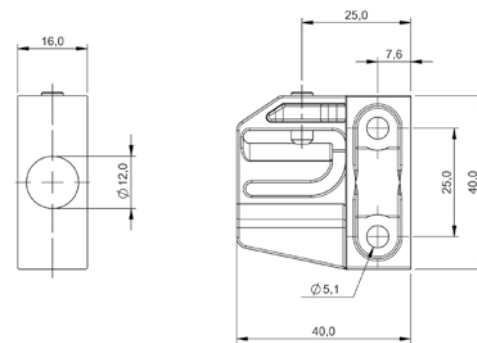


BAM00AA

BAM00AW



BAM0006



BAM0007

Sensors

RFID

Machine Vision and Optical Identification

Human Machine Interfaces

Safety

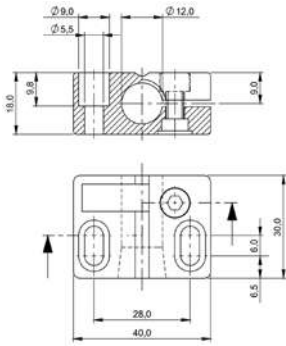
Industrial Networking

Software and System Solutions

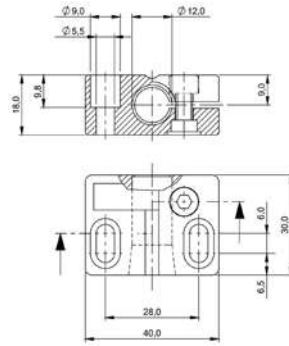
Power Supply

Connectivity

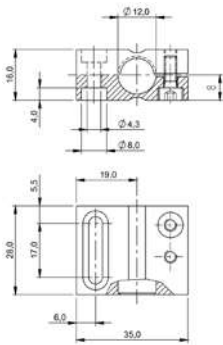
Accessories



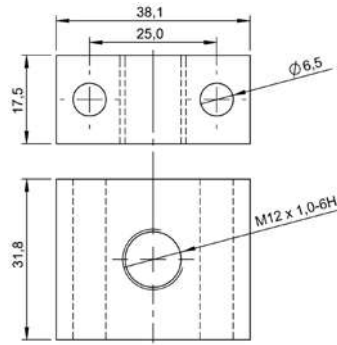
BAM00C9



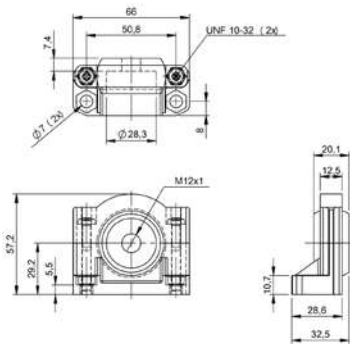
BAM00CA



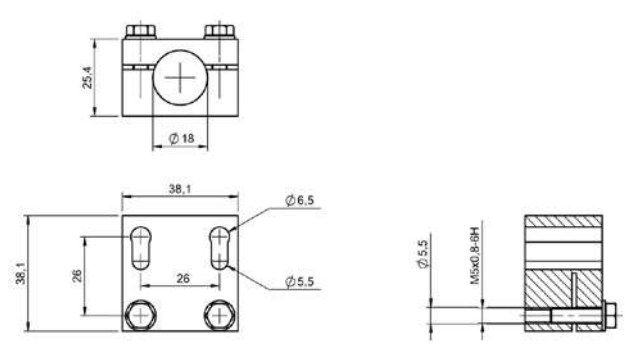
BAM00CF



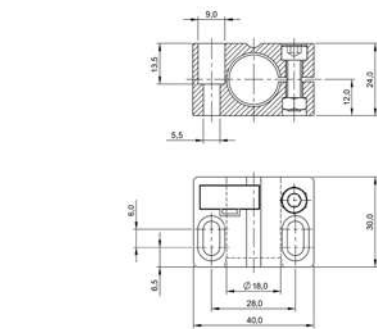
BAM00EK



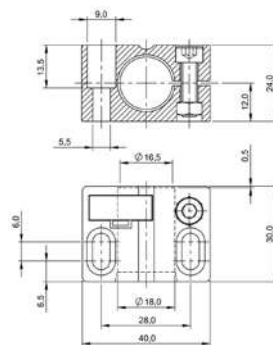
BAM01KM



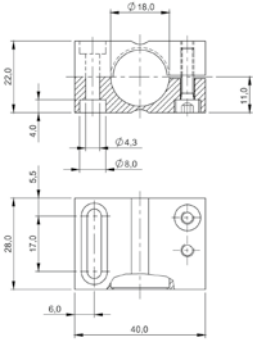
BAM00F5



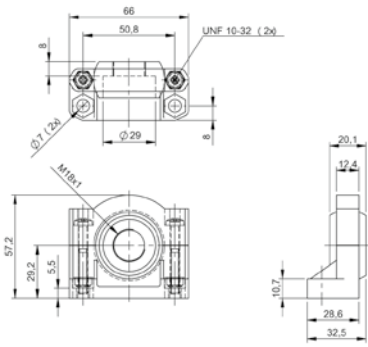
BAM00F7



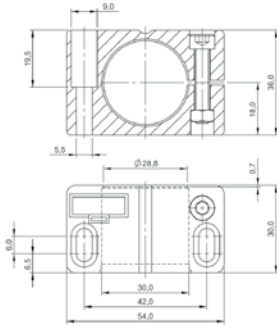
BAM00F8



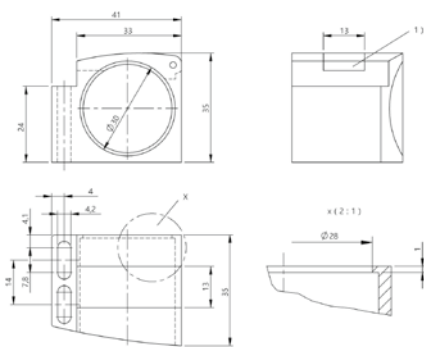
BAM00FC



BAM00T3

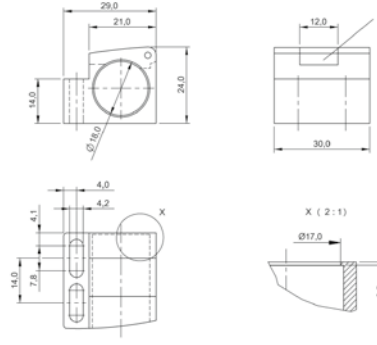


BAM00HU



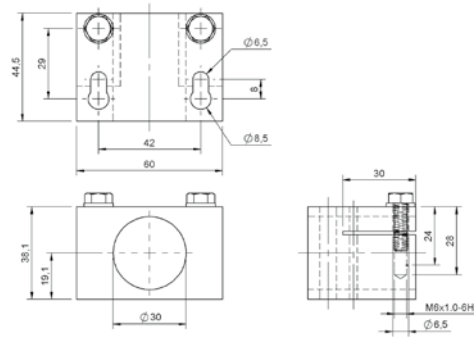
1) Mechanical closing system

BAM00HY

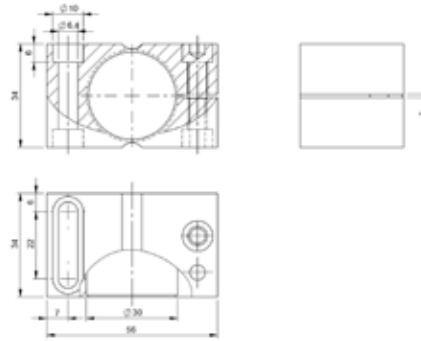


1) Mechanical closing system

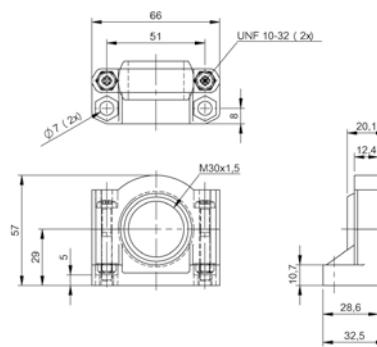
BAM00FE



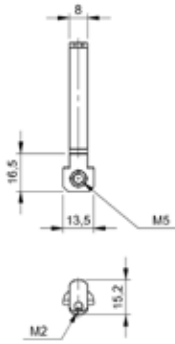
BAM00HR



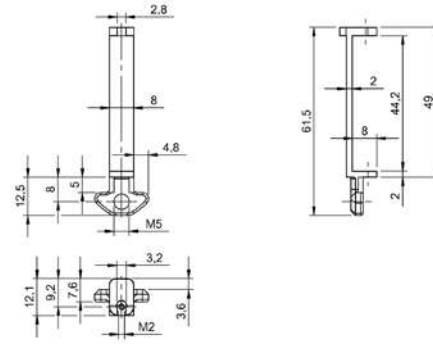
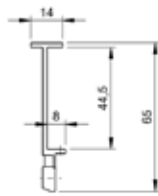
BAM00HW



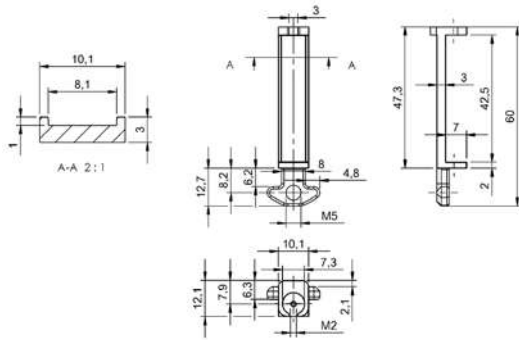
BAM00TN



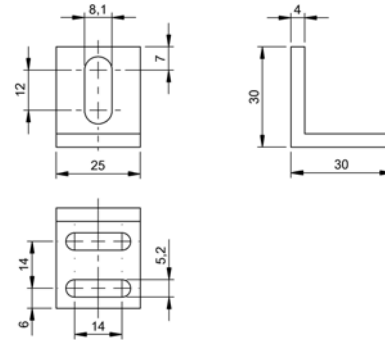
BAM02UE



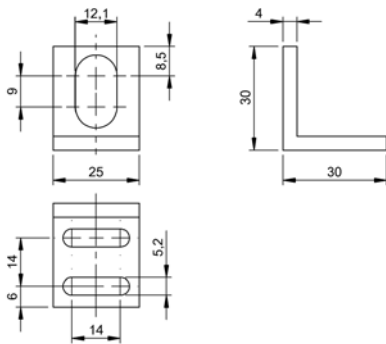
BAM00NJ



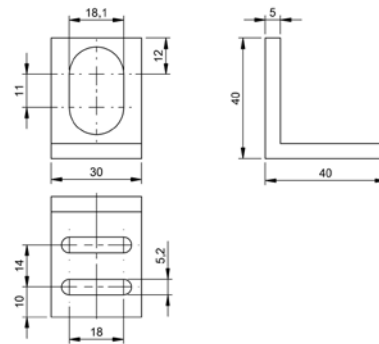
BAM01AU



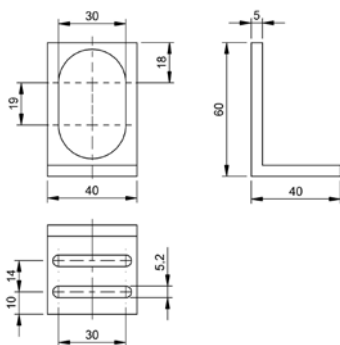
BAM009U



BAM000C



BAM009U



BAM00HH



	BAM0255 BAM MB-NI-016-800-1	BAM026K BAM MB-NI-017-100-1	
Principle of operation	holding SmartLight	holding SmartLight	
Use	for signal light Smartlight	for signal light Smartlight	
Material	Naturally anodized aluminum	Naturally anodized aluminum	
Dimension	80 x 6 x 62 mm	Ø 70 x 100 mm	
Mounting	Screws	Screws	
Productview	Page 490	Page 491	



	BAM034C BAM MB-NI-017-250-1	BAM026L BAM MB-NI-017-400-1	BAM02M5 BAM MB-XA-025-D19,0-1	
	holding SmartLight	holding SmartLight	holding SmartLight	
	for signal light Smartlight	for signal light Smartlight	for signal light Smartlight	
	Naturally anodized aluminum	Naturally anodized aluminum	Naturally anodized aluminum	
	Ø 70 x 250 mm	Ø 70 x 400 mm	121 x 72 x 80 mm	
	Screws	Screws	Screws	
	Page 491	Page 491	Page 490	

Sensors

RFID

Machine Vision and
Optical Identification

Human Machine
Interfaces

Safety

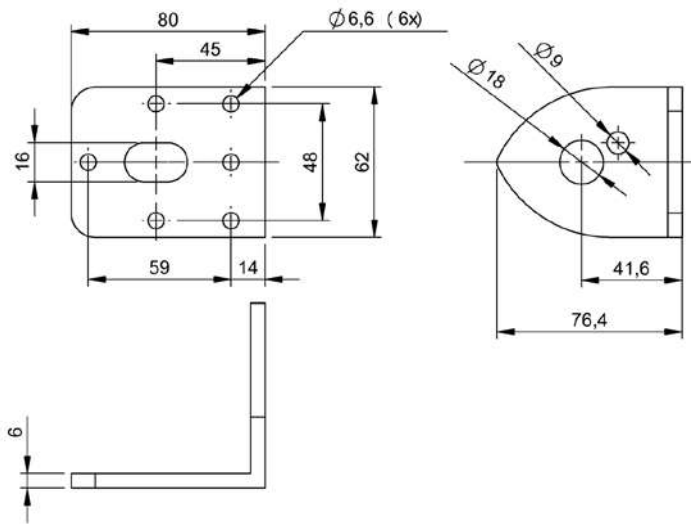
Industrial Networking

Software and
System Solutions

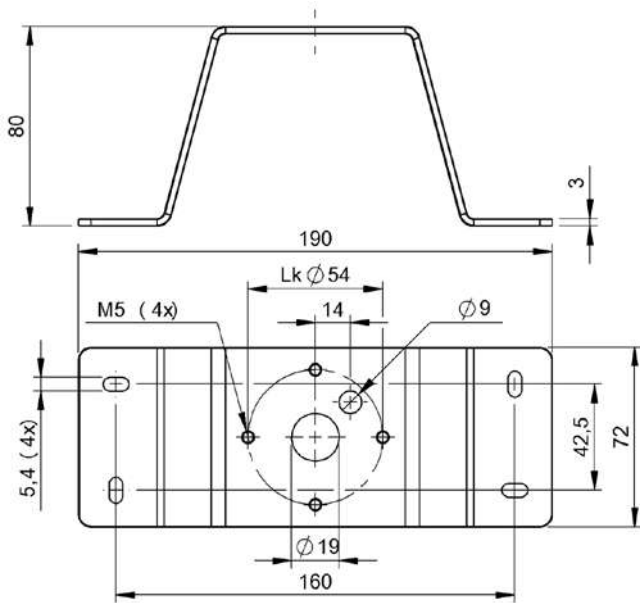
Power Supply

Connectivity

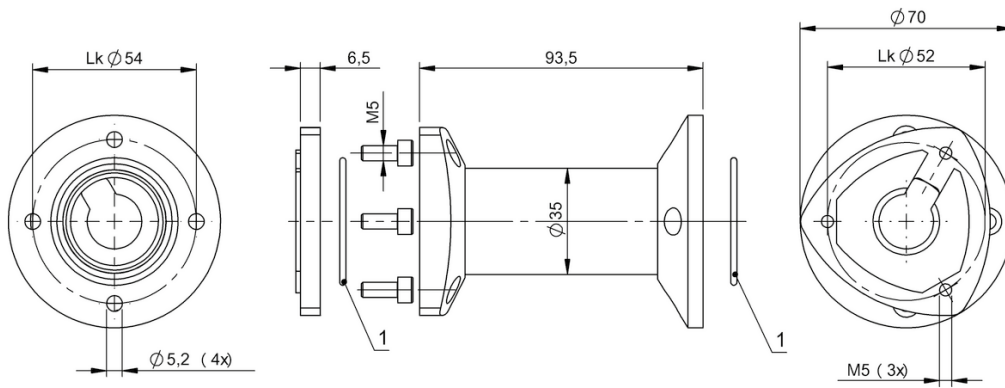
Accessories



BAM0255

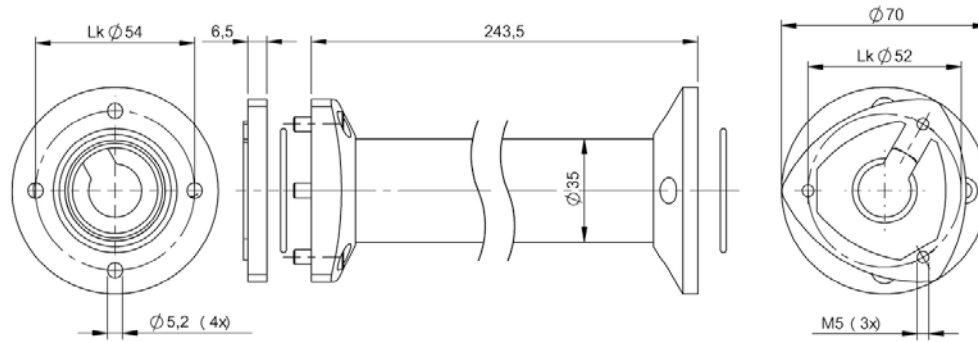


BAM02M5

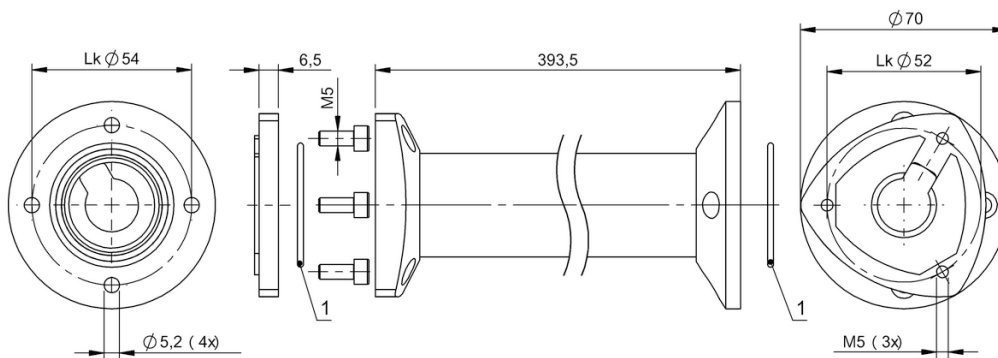


1) O-ring

BAM026K



BAM034C



1) O-ring

BAM026L



	BAM02J9 BAM MD-VS-002-0002	BAM02JA BAM MD-VS-002-0003	BAM02JC BAM MD-VS-002-0004	
Version	Holder	Stand	Positioning	
Application	for table or wall mount	Tripod holder with continuous read function	Height adjustable positioning	
Use	for BVS HS-P	for BVS HS-P	for BVS HS-P	
Material	ABS	ABS powder coated Steel	ABS Steel	
Dimension	84 x 126 mm	98 x 318 x 150 mm	168 x 102 mm	
Mounting	Screws, Glue	Screws, Glue	hanging	
Productview	Page 494	Page 494	Page 494	



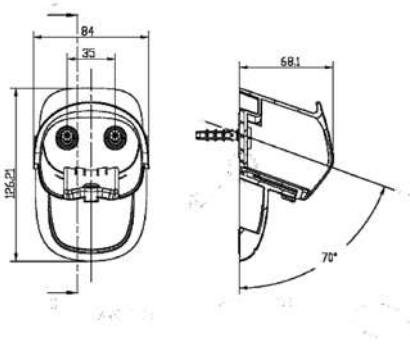
	BAM01YP BMS CS-M-S25-DX15-00	BAM02ZU BMS CU-M-S25-D030-01	BAM01YT BMS CUJ-M-S25-D045-00	
Version	Quick-change plate	Holder, quick-change plate	3D holder system	
Application	Adapter	for mounting profiles, for quick-change plate	for mounting profiles, with orientation in rotational position and angle orientation, for quick-change plate	
Use	for BVS ...-E, for Smart-Camera BVS SC, for connection plate VESA 75/100, for 3D holding system, for holding of the quick-change plate	for BVS ...-E, for Smart-Camera BVS SC	for BVS ...-E, for Smart-Camera BVS SC	
Material	Naturally anodized aluminum	Naturally anodized aluminum	Naturally anodized aluminum	
Dimension	55 x 7.5 x 60 mm	15.1 x 60 x 60 mm	60 x 84 x 60 mm	
Mounting	Screws, terminals	Screws	Screws, terminals	
Productview	Page 495	Page 495	Page 495	



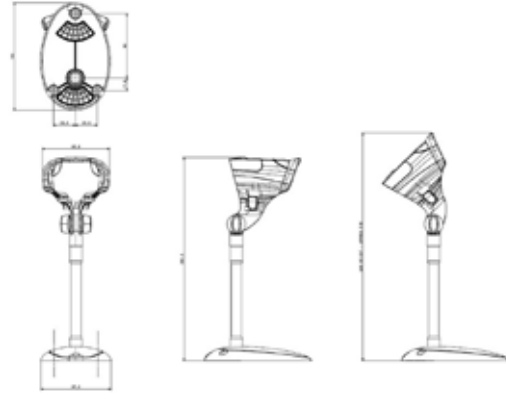
	BAM02Y8 BAM MD-VS-002-0005	BAM02Y9 BAM MD-VS-002-0006	BAM02ZW BAM MB-MS-038-B19-1	BAM01AC BAM MB-XA-003-B03-1	BAM01TK BMS CS-M-D12-IX13-01
	Stand	Holder for table/wall mount	Mounting brackets	Holder	Holder
	Tripod holder with continuous read function	—	—	—	for protective housing BVS
	for BVS HS-Q	for BVS HS-Q	for BVS ...-E, for Smart-Camera BVS SC	for BVS ...-E	for BVS ...-E
	ABS Steel	ABS	Naturally anodized aluminum	Naturally anodized aluminum	Stainless steel (1.4301)
	100 x 160 mm	75 x 115 mm	3 x 60 x 80 mm	106 x 50 x 75 mm	172 x 34 x 65 mm
	Screws, Glue	Screws, Adhesive	Screws, terminals	Screws, Clamps	Screws, terminals
	Page 494	Page 494	Page 494	Page 494	Page 494



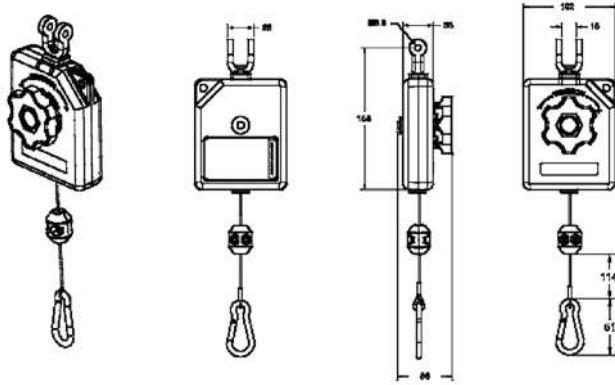
	BAM00WN BVS Z-MB-01	BAM02P7 BAM MB-VS-026-B14-1	BAM01AE BAM MB-XA-002-B02-1	BAM02ML BAM MC-XA-042-D20,0-1	
	Mounting brackets	Mounting brackets	Mounting brackets	Holder	
	for wall mount, for mounting system BMS	for ring light BAE	for mounting system BMS	for wall mount, for mounting profiles	
	for BVS ...-E	for BVS SC-..	for line light BAE	for machine light Ø20 mm	
	Stainless steel	Naturally anodized aluminum	Naturally anodized aluminum	Naturally anodized aluminum	
	74 x 47 x 51 mm	110 x 3 x 64 mm	61 x 40 x 43 mm	15 x 29 x 35 mm	
	Screws, Clamps	Screws	Screws, terminals	Screws, terminals	
	Page 495	Page 495	Page 495	Page 459	



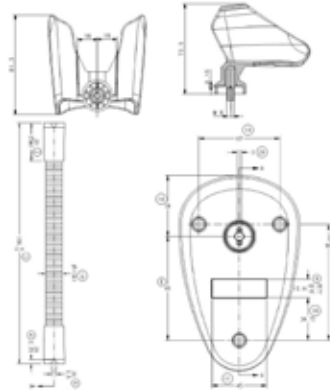
BAM02J9



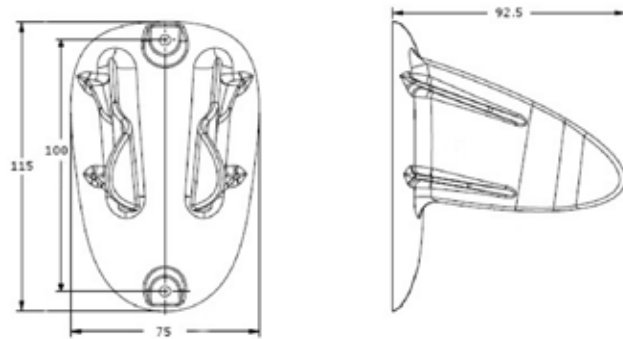
BAM02JA



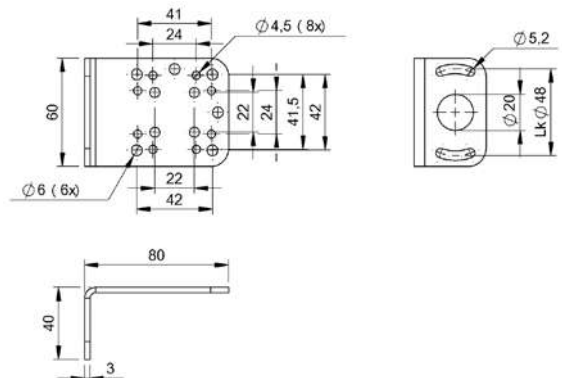
BAM02JC



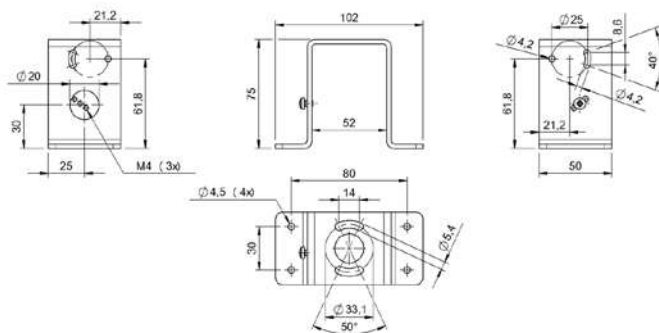
BAM02Y8



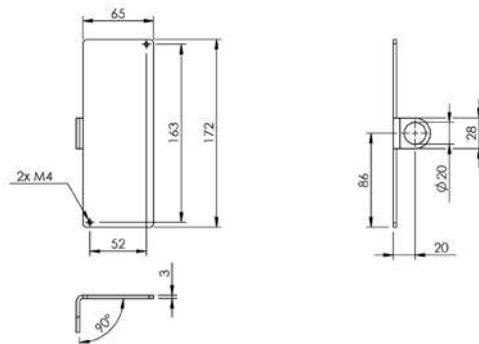
BAM02Y9



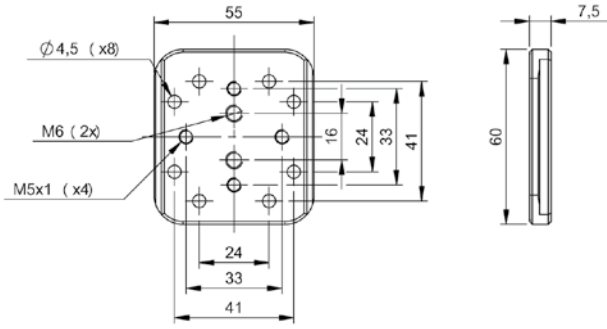
BAM02ZW



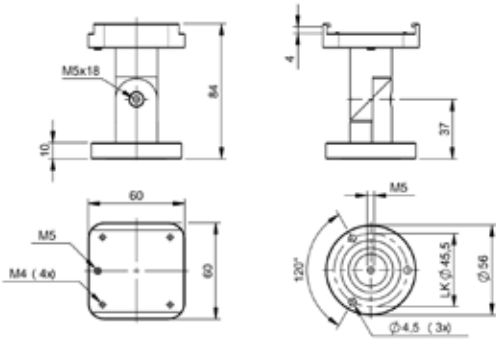
BAM01AC



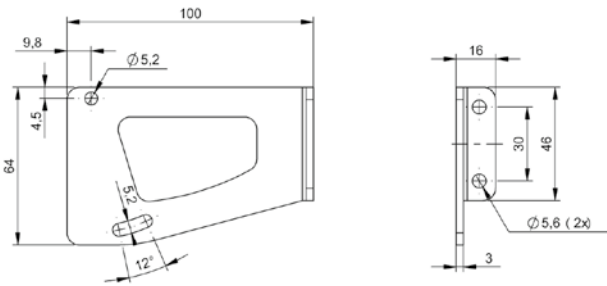
BAM01TK



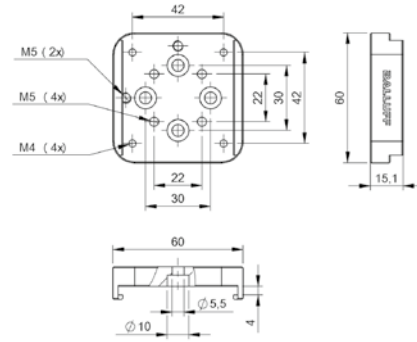
BAM01YP



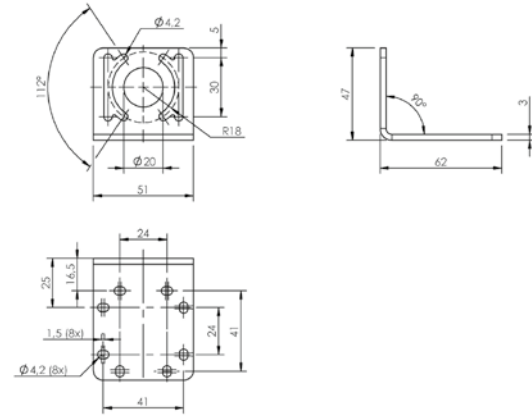
BAM01YT



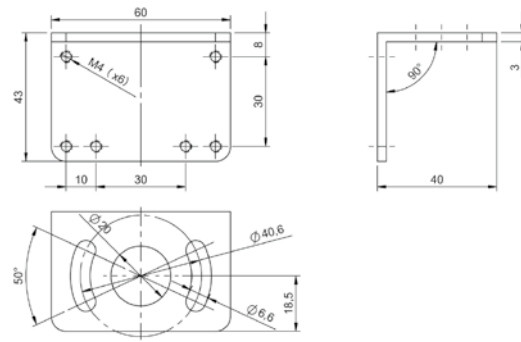
BAM02P7



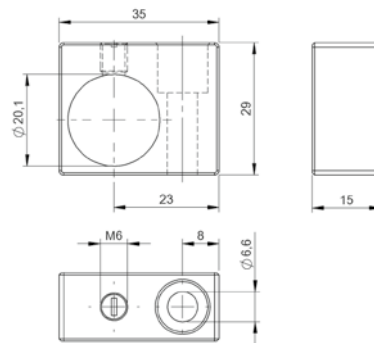
BAM02ZU



BAM00WN



BAM01AE



BAM02ML



	BAM0127 BIS C-122-AD-1	BAM0128 BIS C-122-AD-2	BAM01LW BIS Z-SP-003	
Principle of operation	Adapter BIS	Adapter BIS	Spacer ring, piece	
Use	Mounting adapter for data carriers BIS C-122	Mounting adapter for data carriers BIS C-122	Mounting set and spacer for data carriers BIS U-100	
Material	PA 6	PA 6	PA GF	
Dimension	Ø 11.6 x 8 mm	Ø 11.6 x 6 mm	Ø 10 x 10 mm	
Mounting	Screws	—	Screws	
Ambient temperature	—	—	-40...70 °C	
Ambient temperature	—	—	-40...70 °C	
Productview	Page 500	Page 500	Page 500	



	BAM012H BIS L-203-ZH1	BAM012L BIS Z-HW-001	BAM01FT BIS Z-HW-002	
Principle of operation	Holding RFID system	Holding RFID system	Holding RFID system	
Use	Holder for data carriers BIS L-103/203	for processor units C/L/M-600x	Holder for mounting data carriers BIS M-107	
Material	POM	Aluminum (mounting bracket) PA 6 (rail holder)	PPS GF40	
Dimension	Ø 16 x 18 mm	100 x 50 mm	Ø 30 x 13.7 mm	
Mounting	Clamps	Mounting rail, DIN rail	Screws	
Ambient temperature	-25...85 °C	0...70 °C	0...70 °C	
Ambient temperature	-25...85 °C	0...70 °C	0...70 °C	
Productview	Page 501	Page 501	Page 501	



	BAM020R BIS Z-SP-004	BAM01MY BAM MB-XA-010-B07-4	BAM02PN BAM MB-XA-027-B15-4	BAM01Y3 BAM MC-XA-018-B04-4	BAM012E BIS C-108-MF-01
	Spacer ring, piece	Holding RFID system	Holding RFID system	Holding RFID system	Holding RFID system
	Mounting set and spacer for high-temperature data carriers	Mounting bracket for read/write heads for Bosch TS1 and TS2	Mounting bracket for BIS M-400x	Mounting bracket for read/write heads BIS VM-3xx	Mounting plate for BIS C-108
	Ceramic	Stainless steel (1.4301)	Stainless steel (1.4401)	Stainless steel (1.4310)	Aluminum
	Ø 25.4 x 25.4 mm	105 x 14 x 32 mm	86 x 2.5 x 35 mm	78.2 x 11.8 x 34.8 mm	100 x 5 mm
	Screws	Screw M4	Screws, terminals	Screws	Screws
	-40...240 °C	—	—	—	-30...70 °C
	-40...240 °C	—	—	—	-30...70 °C
	Page 500	Page 500	Page 500	Page 500	Page 500



	BAM01JK BIS Z-HW-003	BAM01KN BIS Z-HW-004	BAM0336 BIS Z-HW-008	BAM0337 BIS Z-HW-009	BAM012M BIS Z-MP-001
	Holding RFID system	Holding RFID system	Holding RFID system	Holding RFID system	Holding RFID system
	Holder for installing antennas BIS U-3xx	Fixing for signal converters BIS U-602x	Holder for mounting data carriers BIS M-135/138	Holder for mounting data carriers BIS M-134/137	Metal mounting plate for data carriers BIS M-15x
	Stainless steel (1.4571)	Aluminum, black	PPS, black	PPS, black	Stainless steel (1.4310)
	121 x 57 mm	106 x 43 x 4.6 mm	86 x 39.5 x 63 mm	86 x 39.5 x 63 mm	40 x 0.4 mm
	Screws	Screws	Screws	Screws	—
	—	—	-25...240 °C	-25...240 °C	-30...70 °C
	—	—	-25...240 °C	-25...240 °C	-30...70 °C
	Page 501	Page 501	Page 501	Page 501	Page 501



	BAM012N BIS Z-ZA-001	BAM012A BIS C-300-HG1	BAM012J BIS Z-HG-002	
Principle of operation	Access protection	Handle	Handle	
Use	Fixing for signal converters BIS U-602x	Socket for read/write heads Ø 14,5 mm	Socket for read/write heads Ø 18 mm	
Material	PA 6.6 black (nut) POM black (holder)	POM black	POM black	
Dimension	Ø 40 x 45 mm	Ø 14.5 x 120 mm	Ø 40 x 125 mm	
Mounting	Thread M30x1.5	—	—	
Ambient temperature	0...70 °C	0...70 °C	0...70 °C	
Ambient temperature	0...70 °C	0...70 °C	0...70 °C	
Productview	Page 502	Page 502	Page 502	



BAM012K BIS Z-HG-003				
Handle				
Socket for read/write heads Ø 30 mm				
POM black				
Ø 40 x 125 mm				
—				
0...70 °C				
0...70 °C				
Page 502				

Sensors

RFID

Machine Vision and
Optical Identification

Human Machine
Interfaces

Safety

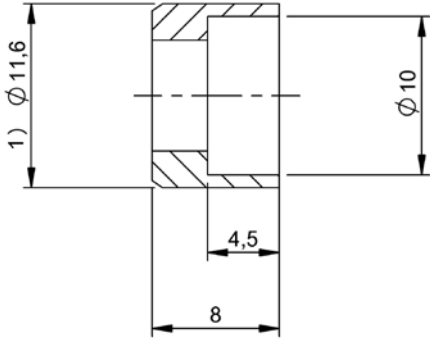
Industrial Networking

Software and
System Solutions

Power Supply

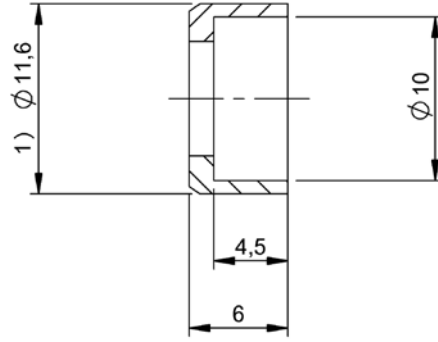
Connectivity

Accessories



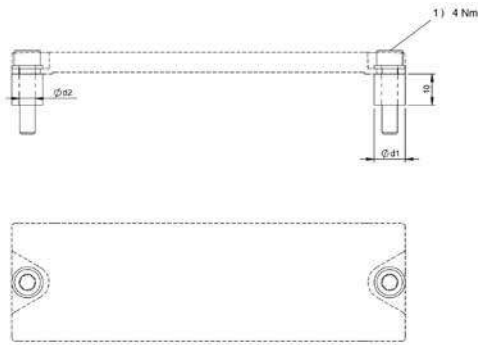
1) see remarks

BAM0127



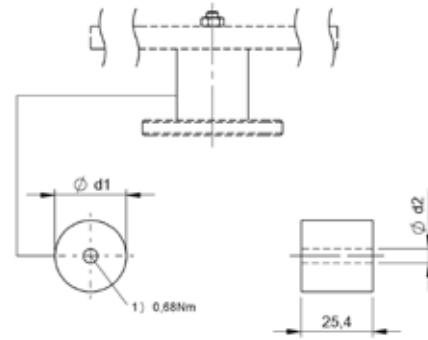
1) see remarks

BAM0128



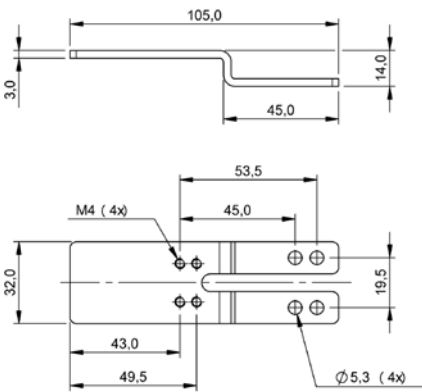
1) Tightening torque

BAM01LW

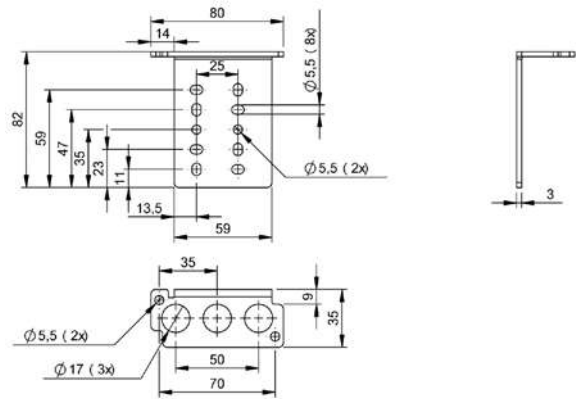


1) Tightening torque

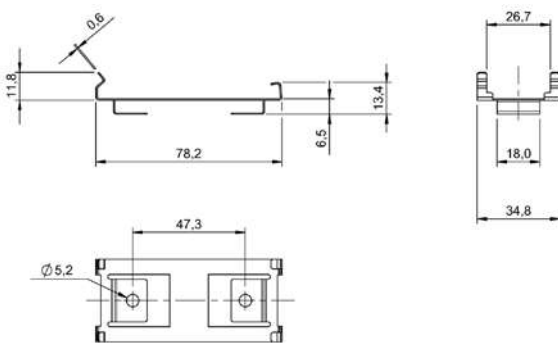
BAM020R



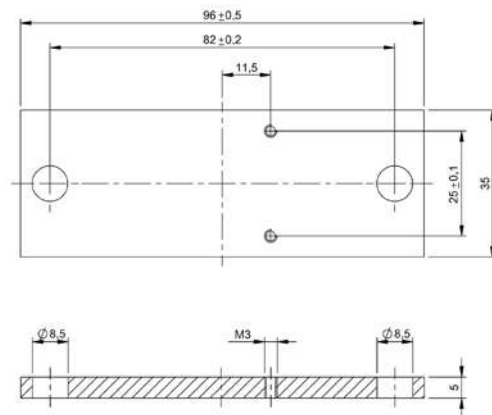
BAM01MY



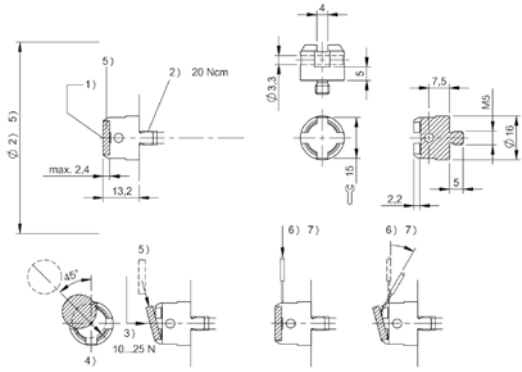
BAM02PN



BAM01Y3

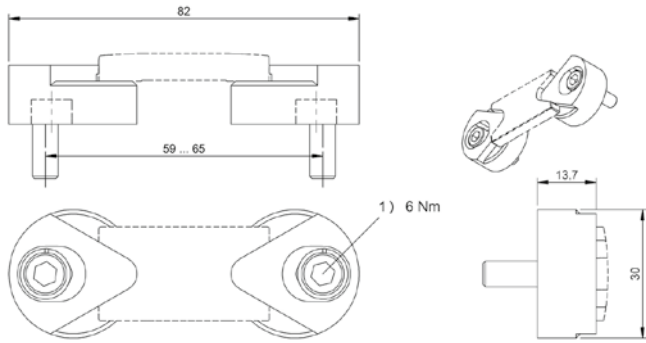


BAM012E



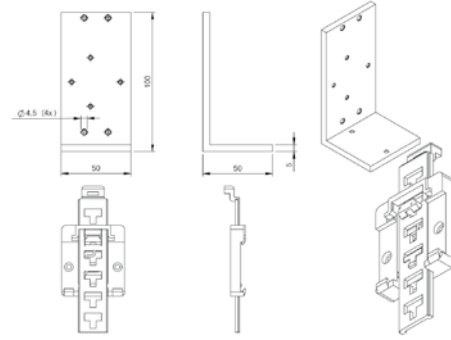
1) Sensing surface, 2) Tightening torque, 3) see remarks, 4) Data carrier installation, 5) Data carrier, 6) Caution: Protect eyes, 7) Replace data carrier

BAM012H

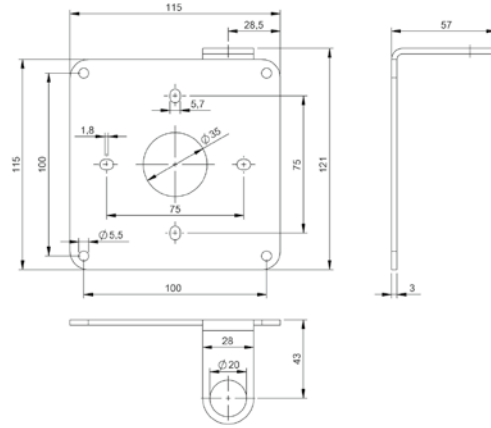


1) Tightening torque

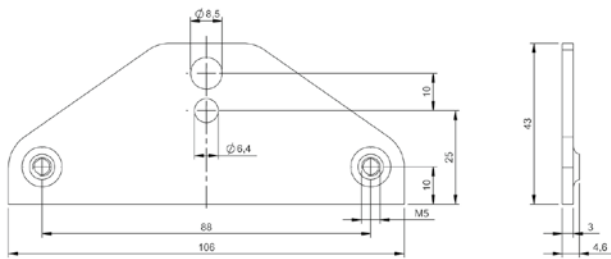
BAM012L



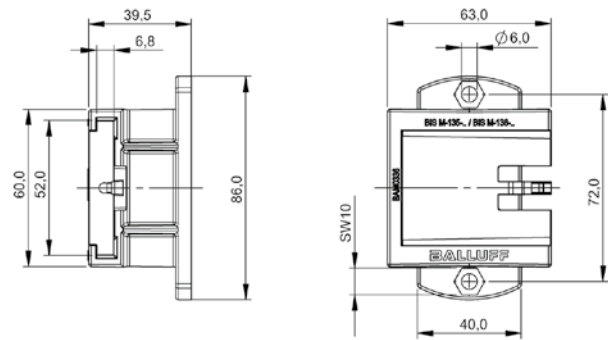
BAM012L



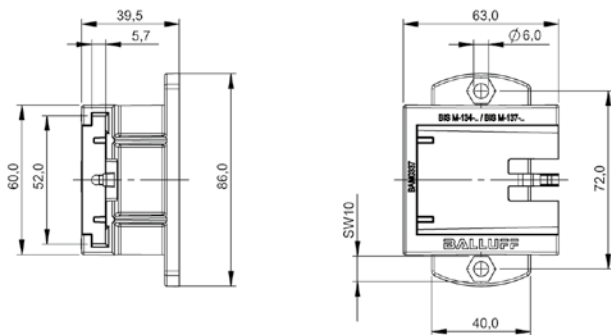
BAM012L



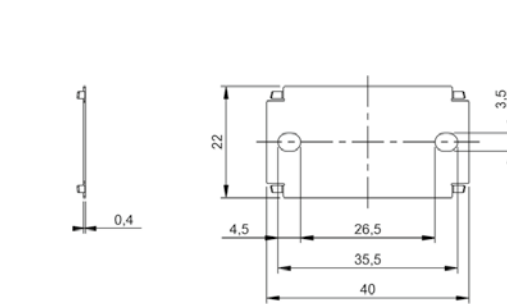
BAM01FT



BAM01JK

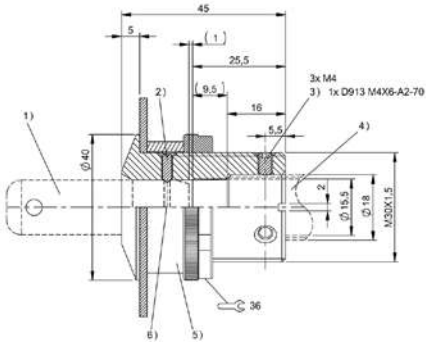


BAM0336



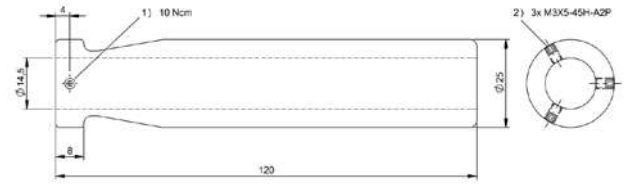
BAM0337

502 | Accessories | Fastening Technology



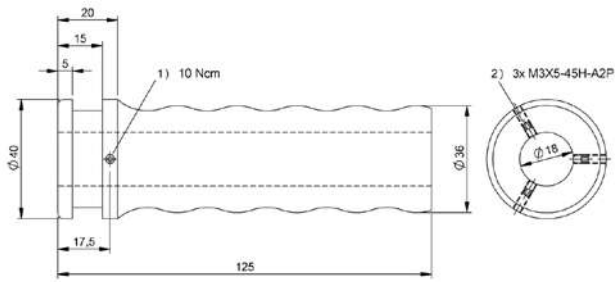
- 1) Data carrier, 2) Spring-loaded compression piece, 3) Threaded pin, 4) Read/write head, 5) Spacer ring, 6) Notch in data carrier

BAM012N



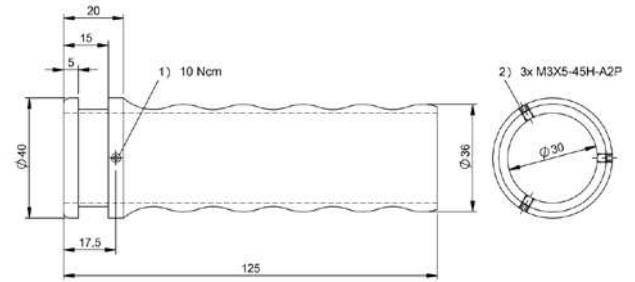
- 1) Tightening torque, 2) Threaded pin

BAM012A



- 1) Tightening torque, 2) Threaded pin

BAM012J



- 1) Tightening torque, 2) Threaded pin

BAM012K



	BAM02NM BAM BD-LG-003-0900	BAM02NN BAM BD-LG-003-1200	BAM02NP BAM BD-LG-003-1650	
Principle of operation	Tilted mirror	Tilted mirror	Tilted mirror	
Use	For floor mount of safety light curtain BLG	For floor mount of safety light curtain BLG	For floor mount of safety light curtain BLG	
Material	Glass painted yellow Steel	Glass painted yellow Steel	Glass painted yellow Steel	
Dimension	880 x 36 x 89 mm	1180 x 36 x 89 mm	1630 x 36 x 89 mm	
Mounting	Screws	Screws	Screws	
Productview	Page 508	Page 508	Page 508	



	BAM02NF BAM MB-LG-024-1000-1	BAM02NH BAM MB-LG-024-1200-1	BAM02NJ BAM MB-LG-024-1650-1	
Principle of operation	Holding Safety Light Curtains	Holding Safety Light Curtains	Holding Safety Light Curtains	
Use	For safety light curtain BLG	For safety light curtain BLG	For safety light curtain BLG	
Material	Steel painted yellow Aluminum	Steel painted yellow Aluminum	Steel painted yellow Aluminum	
Dimension	1018 x 195 x 195 mm	1218 x 195 x 195 mm	1668 x 195 x 195 mm	
Mounting	Screws	Screws	Screws	
Productview	Page 508	Page 509	Page 509	



	BAM02NR BAM BD-LG-003-1900	BAM02N6 BAM IA-XA-017-01	BAM02N7 BAM IA-XA-017-02	BAM02NC BAM MB-LG-023-B13-3	BAM02NE BAM MB-LG-024-0600-1
	Tilted mirror	Accessories Safety Light Curtains	Accessories Safety Light Curtains	Accessories Safety Light Curtains	Holding Safety Light Curtains
	For floor mount of safety light curtain BLG	For safety light curtain BLG	For safety light curtain BLG	For safety light curtain BLG	For safety light curtain BLG
	Glass painted yellow Steel	Rubber, Shore hardness 57	Rubber, Shore hardness 57	Steel zinc plated	Steel painted yellow Aluminum
	1880 x 36 x 89 mm	Ø 25 x 20 mm	Ø 25 x 20 mm	35 x 29.7 x 39.6 mm	618 x 195 x 195 mm
	Screws	Screws	Screws	Screws	Screws
	Page 508	Page 508	Page 508	Page 508	Page 508



	BAM02NK BAM MB-LG-024-1900-1	BAM02N2 BAM MC-LG-036-T01-3	BAM02MZ BAM MC-LG-037-B07-3	BAM02N0 BAM MC-LG-038-B07-01-3	BAM02N1 BAM MC-LG-038-B07-02-3
	Holding Safety Light Curtains	Accessories Safety Light Curtains	Accessories Safety Light Curtains	Accessories Safety Light Curtains	Accessories Safety Light Curtains
	For safety light curtain BLG	For safety light curtain BLG	For safety light curtain BLG	For safety light curtain BLG	For safety light curtain BLG
	Steel painted yellow Aluminum	Steel zinc plated	Steel zinc plated	Anodized aluminum	Anodized aluminum
	1918 x 195 x 195 mm	70 x 195 x 41 mm	34.5 x 37.8 x 30.7 mm	34.5 x 195 x 12 mm	34.5 x 195 x 12 mm
	Screws	Screws, terminals	Screws, terminals	Screws	Clamps
	Page 509	Page 509	Page 509	Page 509	Page 509

Sensors

RFID

Machine Vision and Optical Identification

Human Machine Interfaces

Safety

Industrial Networking

Software and System Solutions

Power Supply

Connectivity

Accessories

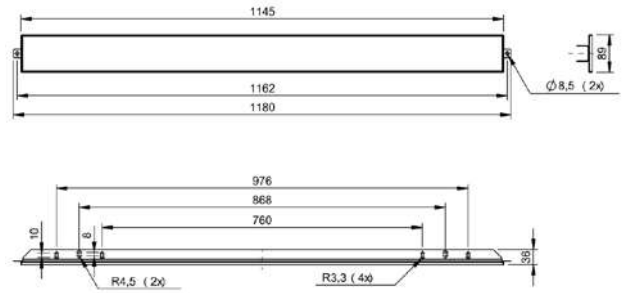
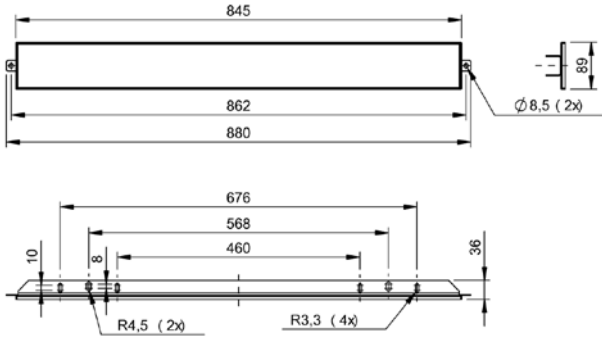


	BAM02N3 BAM MC-LG-040-B08-3	BAM02N5 BAM MC-LG-041-B07-3-L	BAM02N4 BAM MC-LG-041-B07-3-S	
Principle of operation	Accessories Safety Light Curtains	Accessories Safety Light Curtains	Accessories Safety Light Curtains	
Use	For safety light curtain BLG	For safety light curtain BLG	For safety light curtain BLG	
Material	Steel zinc plated	Steel zinc plated	Steel zinc plated	
Dimension	50 x 195 x 195 mm	34.5 x 30 x 26.5 mm	34.5 x 30 x 26.5 mm	
Mounting	Screws	Screws, terminals	Screws, terminals	
Productview	Page 509	Page 509	Page 509	



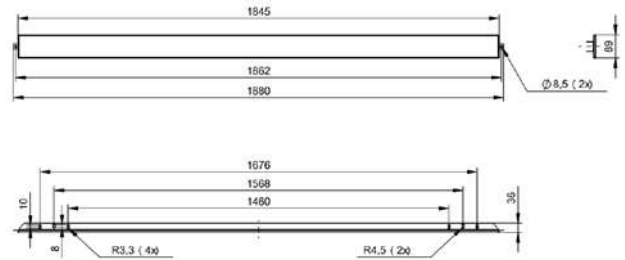
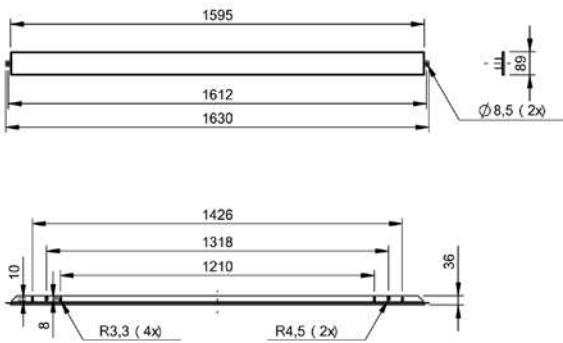
BAM02P9 BAM TO-LG-011-14	BAM02PA BAM TO-LG-011-30			
Test rod Safety Light Curtains	Test rod Safety Light Curtains			
For safety light curtain BLG	For safety light curtain BLG			
Aluminum anodized, black	Aluminum anodized, black			
Ø 14 x 300 mm	Ø 30 x 300 mm			
—	—			
Page 510	Page 510			

508 | Accessories | Fastening Technology



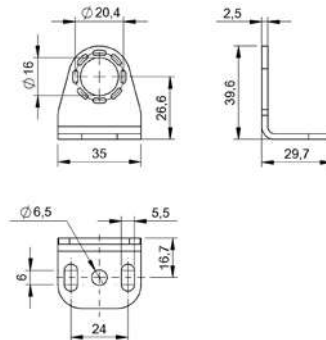
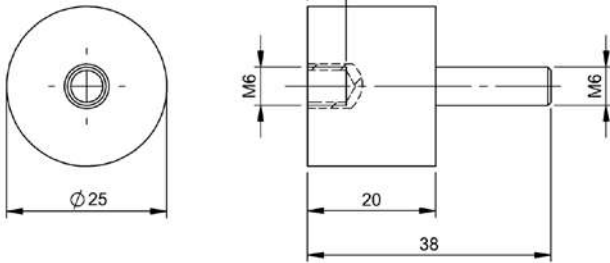
BAM02NM

BAM02NN



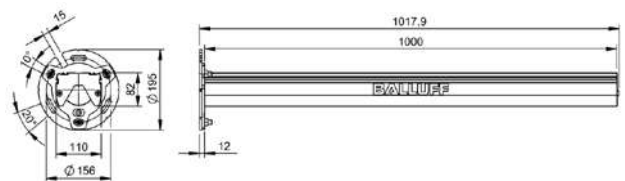
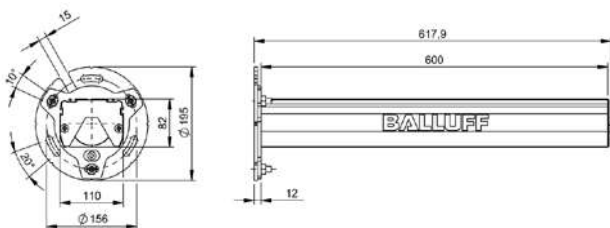
BAM02NP

BAM02NR



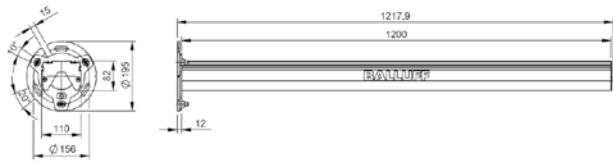
BAM02N6, BAM02N7

BAM02NC

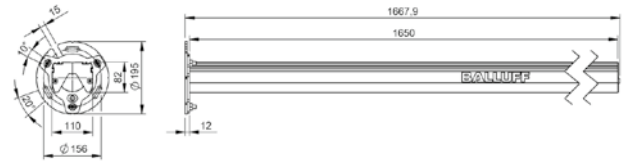


BAM02NE

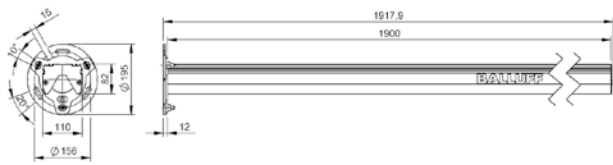
BAM02NF



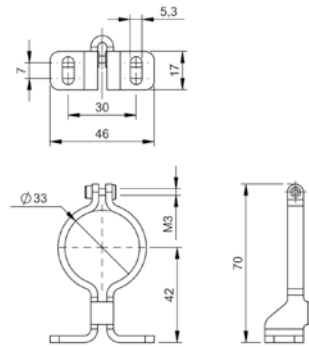
BAM02NH



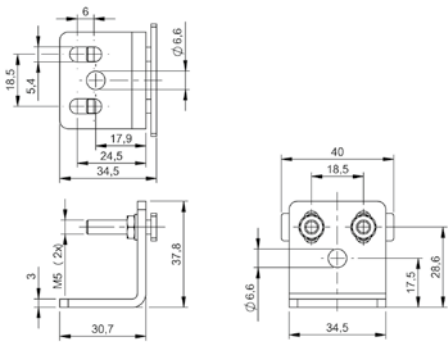
BAM02NJ



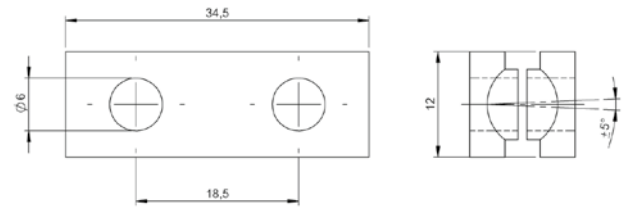
BAM02NK



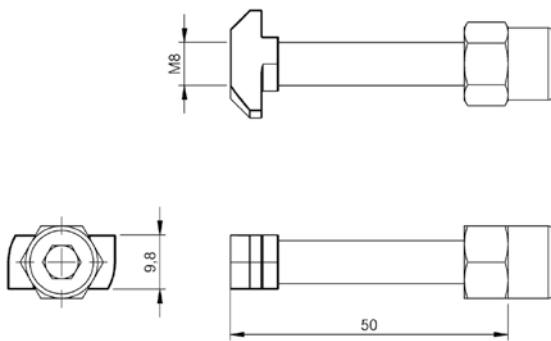
BAM02N2



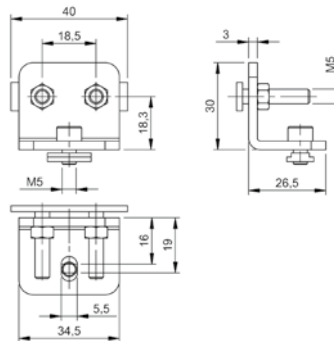
BAM02MZ



BAM02N0, BAM02N1



BAM02N3



BAM02N5, BAM02N4

Sensors

RFID

Machine Vision and Optical Identification

Human Machine Interfaces

Safety

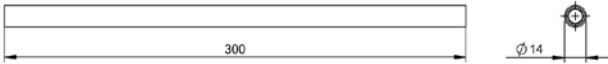
Industrial Networking

Software and System Solutions

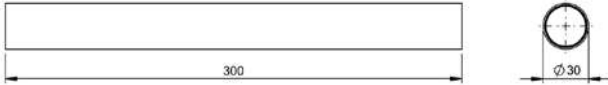
Power Supply

Connectivity

Accessories



BAM02P9



BAM02PA



	BAM02HE BAM MB-XA-021-B12-4	BAM02HF BAM MB-XA-022-B12-4	BAM02UY BAM MB-X0-028-B37-3	
Version	Mounting brackets	Mounting brackets	Mounting brackets	
Use	for BLA Light Array	for BLA Light Array	for photoelectric distance sensors BOD 37M	
Material	Stainless steel (1.4301)	Stainless steel (1.4301)	Steel Zinc plated	
Dimension	80 x 78 x 75 mm	80 x 38 x 75 mm	118 x 2.5 x 75 mm	
Mounting	Screws	Screws	Screws	
Productview	Page 518	Page 518	Page 518	



	BAM00T0 BOS 18,0-HW-3	BAM00T2 BOS 18,0-HW-6	BAM01YW BAM MB-XA-013-Q08-4	
Version	Mounting brackets, 2 adjustable axes	Mounting brackets, 3 adjustable axes	Mounting brackets, 2 adjustable axes	
Use	for photoelectric sensors BOS 11K, for photoelectric sensors BOS 16K, for photoelectric sensors BOS 18	for photoelectric sensors BOS 11K, for photoelectric sensors BOS 16K, for photoelectric sensors BOS 18	for photoelectric sensors BOS Q08M	
Material	Steel Zinc plated	Steel Zinc plated	Stainless steel (1.4301)	
Dimension	25 x 43 x 32 mm	42 x 50 x 50 mm	50 x 14 x 18 mm	
Mounting	Screws	Screws	Screws	
Productview	Page 519	Page 519	Page 519	



	BAM037F BMS AD-M-005-D12/X01	BAM037H BMS AD-M-005-D12/X02	BAM037R BMS AD-M-005-D12/X03	BAM00PT BOS 11-HW-1	BAM00RY BOS 18,0-HW-1
	Adjusting unit	Adjusting unit	Adjusting unit	Mounting bracket	Mounting brackets, 2 adjustable axes
	for photoelectric sensors BOS 5K, for photoelectric sensors BOS 6K, for photoelectric sensors BOS R020	for photoelectric sensors BOS 21M, for photoelectric sensors BOS 23K, for photoelectric sensors BOS Q08, for photoelectric distance sensors BOD 24K	for sensors and fiber optics Ø2, for sensors and fiber optics Ø3, for sensors and fiber optics Ø4, for sensors and fiber optics Ø5, for photoelectric sensors BOH Q06, for photoelectric sensors BOH R002, for photoelectric sensors BOH R010, for photoelectric sensors BOH Z001	for photoelectric sensors BOS 11K, for photoelectric sensors BOS	for photoelectric sensors BOS 18
	Aluminum anodized, natural Nickel-plated brass	Aluminum anodized, natural Nickel-plated brass	Aluminum anodized, natural Nickel-plated brass	Stainless steel	Steel Zinc plated
	33 x 12.5 x 92 mm	50 x 12.5 x 116 mm	28 x 14.5 x 98 mm	32 x 45.5 x 66.6 mm	20 x 35 x 35 mm
	Screws, clamps	Screws, clamps	Screws, clamps	Screws	Screws
	Page 518	Page 518	Page 518	Page 518	Page 518



	BAM00T4 BOS 2-HW-1	BAM00T5 BOS 2-HW-2	BAM00T6 BOS 2-HW-3	BAM00U5 BOS 5-HW-1	BAM00U6 BOS 5-HW-2
	Mounting brackets, 3 adjustable axes	Mounting brackets, 2 adjustable axes	Mounting brackets, 2 adjustable axes	Mounting brackets, 2 adjustable axes	Mounting brackets, 1 adjustable axis
	for photoelectric sensors BOS 2K	for photoelectric sensors BOS 2K	for photoelectric sensors BOS 2K	for photoelectric sensors BOS 5K	for photoelectric sensors BOS 5K
	ABS	Steel Zinc plated	Steel Zinc plated	Stainless steel	Stainless steel
	17.5 x 25 x 44.7 mm	11 x 17 x 36 mm	11 x 24 x 18 mm	14 x 21.5 x 42.5 mm	21.5 x 55.2 x 12.7 mm
	Screws	Screws	Screws	Screws	Screws
	Page 519	Page 519	Page 519	Page 519	Page 519

Sensors

RFID

Machine Vision and
Optical Identification

Human Machine
Interfaces

Safety

Industrial Networking

Software and
System Solutions

Power Supply

Connectivity

Accessories



	BAM00U7 BOS 5-HW-3	BAM00UF BOS 5-HW-9	BAM0227 BAM MB-X0-014-B10-4-BLS	
Version	Mounting brackets, 2 adjustable axes	Mounting bracket	Mounting brackets	
Use	for photoelectric sensors BOS 5K	for photoelectric sensors BOS 5K, for photoelectric sensors BOS	for photoelectric sensors BOS 6K	
Material	Stainless steel	Steel Zinc plated	Stainless steel (1.4301)	
Dimension	29 x 56 x 46 mm	29 x 56 x 65 mm	76.4 x 16.2 x 30 mm	
Mounting	Screws	Screws	Screws	
Productview	Page 520	Page 520	Page 520	



	BAM0305 BMS CS-M-D12-S6K-03	BAM00UH BOS 6-HW-1	BAM02ZE BAM MB-X0-032-B16-1-BR2	
Version	Holder	2 adjustable axes	Mounting brackets, 2 adjustable axes	
Use	for photoelectric sensors BOS 6K	for photoelectric sensors BOS 6K	for photoelectric sensors BOS 21M	
Material	Die-cast zinc Stainless steel (1.4301)	Steel Zinc plated	Aluminum anodized, natural	
Dimension	Ø 32 x 16 mm	14 x 30 x 20 mm	50 x 61 x 40 mm	
Mounting	Screws, clamps	Screw M3	Screws	
Productview	Page 521	Page 521	Page 521	



	BAM0228 BAM MB-X0-014-B10-4-RLS	BAM0225 BAM MB-X0-014-B10-4-RRR	BAM022A BAM MC-X0-030-6K-4	BAM0306 BMS CS-M-D12-FX18-02	BAM0304 BMS CS-M-D12-S6K-01
	Mounting brackets	Mounting brackets	Mounting brackets	Mounting block	Holder
	for photoelectric sensors BOS 6K	for photoelectric sensors BOS 6K	for photoelectric sensors BOS 6K	for holding rods with Ø12 mm, for photoelectric sensors BOS 23K	for photoelectric sensors BOS 6K
	Stainless steel (1.4301)	Stainless steel (1.4301)	Aluminum Anodized	Die-cast zinc	Die-cast zinc
	60 x 16.2 x 47 mm	60 x 33.2 x 32 mm	32 x 16.2 x 16 mm	12 x 24 x 37 mm	Ø 32 x 16 mm
	Screws	Screws	Screws	Screws, clamps	Screws, clamps
	Page 520	Page 520	Page 520	Page 520	Page 520



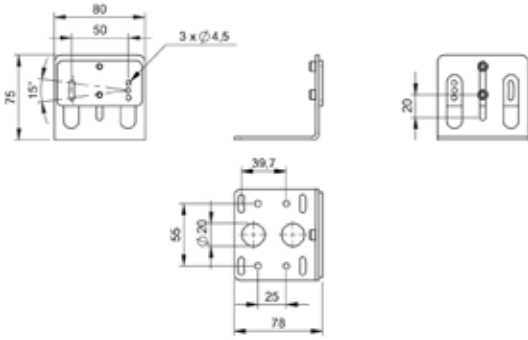
	BAM007 BOS 21-AD-1	BAM009 BOS 21-HW-1	BAM00TA BOS 21-HW-2	BAM01FK BAM MB-X0-006-B05-4	BAM01FM BAM MB-X0-007-B05-4
	Holder, 1 adjustable axis	Mounting brackets, 2 adjustable axes	Mounting brackets, 2 adjustable axes	Mounting brackets, 2 adjustable axes	Mounting brackets, 1 adjustable axis
	for photoelectric sensors BOS 25K, for photoelectric sensors BOS 26K, for photoelectric sensors BOS 21M, For BOS R-1 reflectors	for photoelectric sensors BOS 21M	for photoelectric sensors BOS 21M	for photoelectric sensors BOS 23K	for photoelectric sensors BOS 23K
	Aluminum Anodized	Steel Zinc plated	Steel Zinc plated	Stainless steel	Stainless steel (1.4301)
	50 x 48 x 30 mm	20 x 50 x 26.5 mm	25 x 28 x 40 mm	25 x 40 x 64.5 mm	44.3 x 58 x 65 mm
	Screws	Screws	Screws	Screws	Screws
	Page 521	Page 521	Page 521	Page 521	Page 521



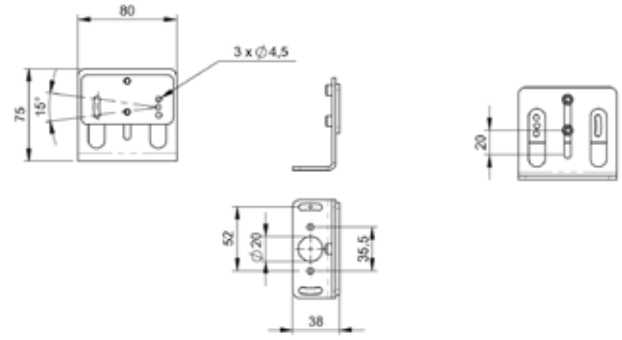
	BAM00TK BOS 26-HW-1	BAM02KL BMS CS-M-D12-B64K-12	BAM003E BMS AD-M-002-D12/D12	
Version	Mounting brackets, 2 adjustable axes	Mounting brackets	Adjusting unit	
Use	for photoelectric sensors BOS 26K	for photoelectric sensors BOS 64K	for sensors Ø12 mm	
Material	Steel Zinc plated	Aluminum Anodized	Stainless steel (1.4301)	
Dimension	19 x 48 x 47.6 mm	106 x 32 x 96 mm	57 x 45 x 50 mm	
Mounting	Screws	Screws	Screws, clamps	
Productview	Page 522	Page 522	Page 522	



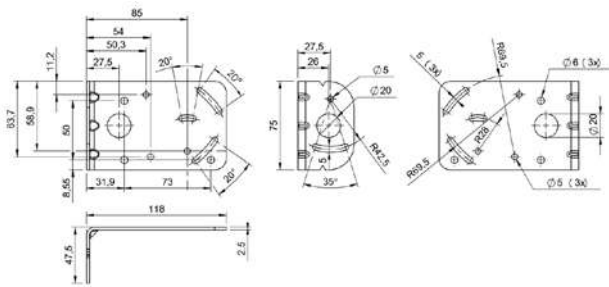
	BAM0038 BMS AD-M-002-D12/D18	BAM00U8 BOS 5-HW-4	BAM00U9 BOS 5-HW-5	BAM00UA BOS 5-HW-6	BAM027E BAM MC-XO-034-23K-4
	Adjusting unit	Mounting brackets, 1 adjustable axis	Mounting brackets, 1 adjustable axis	Mounting brackets, 1 adjustable axis	Adjusting unit
	for sensors Ø18 mm	for BOS R-25 reflectors, for BOS R-10 reflectors	for BOS R-26 reflectors	for BOS R-9 reflectors, for BOS R-22 reflectors	for photoelectric sensors BOS 23K
	Stainless steel (1.4301)	Steel Zinc plated	Steel Zinc plated	Steel Zinc plated	—
	57 x 45 x 50 mm	28 x 58 x 113 mm	20 x 35 x 44.2 mm	20 x 50 x 61 mm	52.5 x 42 x 50 mm
	—	Screws	Screws	Screws	Screw M4
	Page 522	Page 522	Page 522	Page 522	Page 522



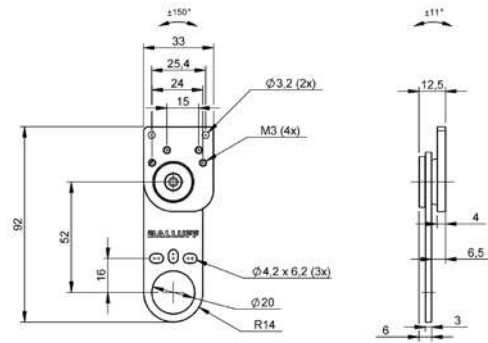
BAM02HE



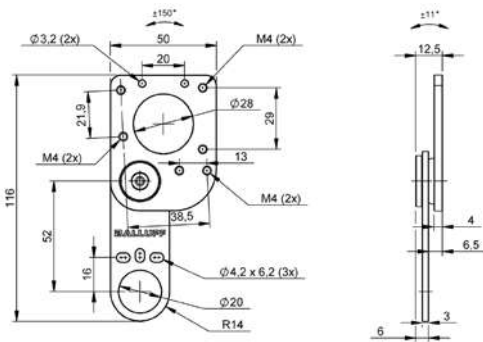
BAM02HF



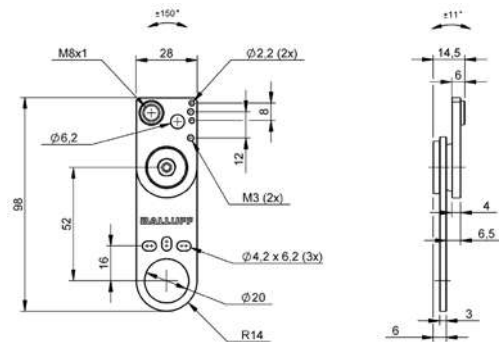
BAM02UY



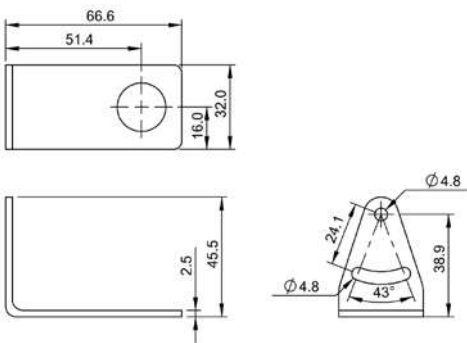
BAM037F



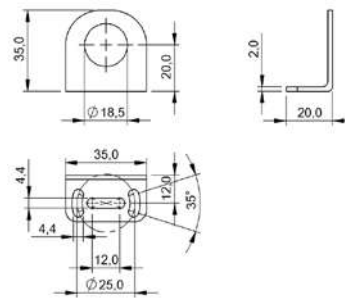
BAM037H



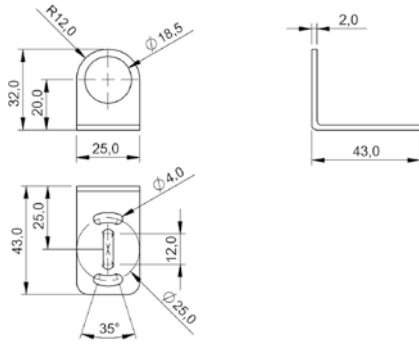
BAM037R



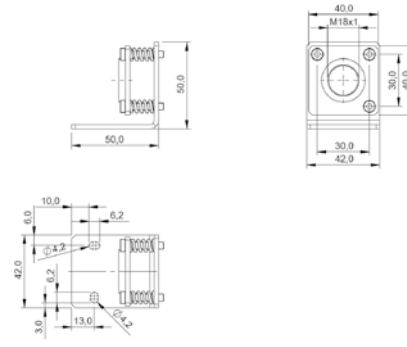
BAM00PT



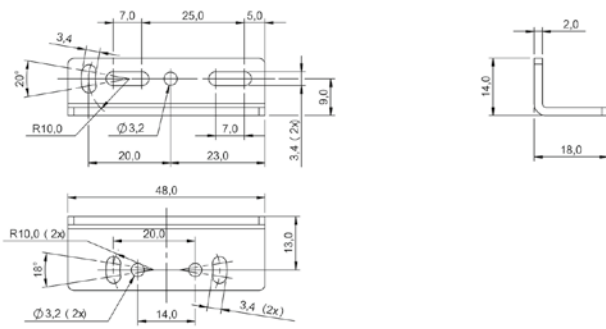
BAM00RY



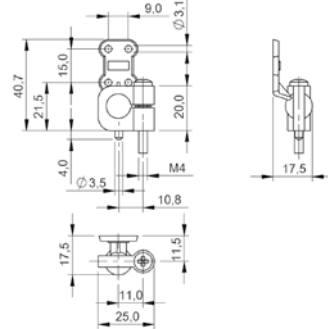
BAM00T0



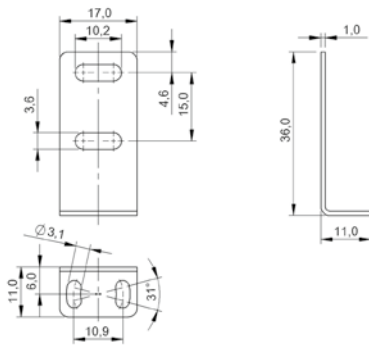
BAM00T2



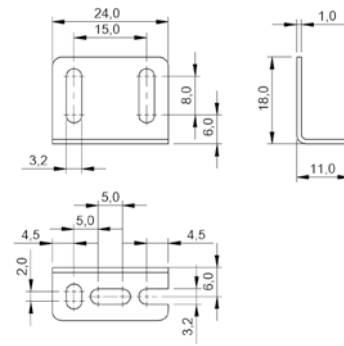
BAM01YW



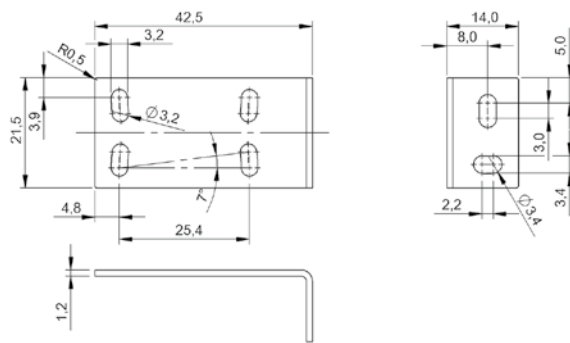
BAM00T4



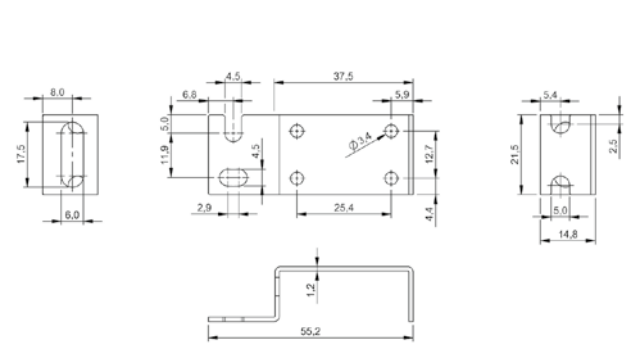
BAM00T5



BAM00T6



BAM00U5



BAM00U6

Sensors

RFID

Machine Vision and Optical Identification

Human Machine Interfaces

Safety

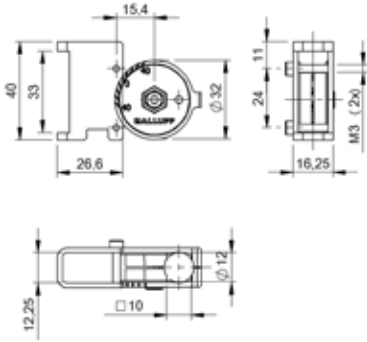
Industrial Networking

Software and System Solutions

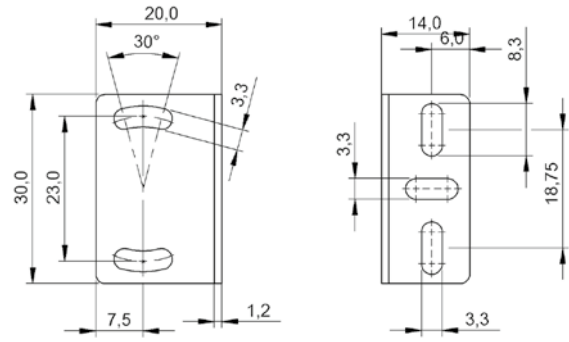
Power Supply

Connectivity

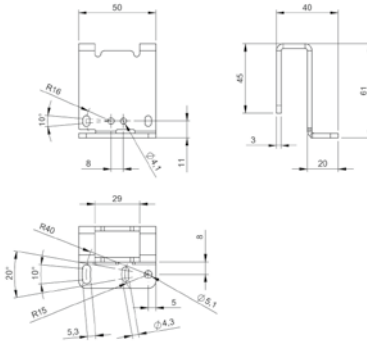
Accessories



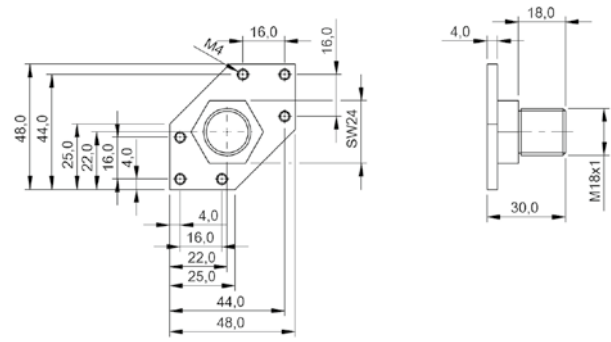
BAM0305



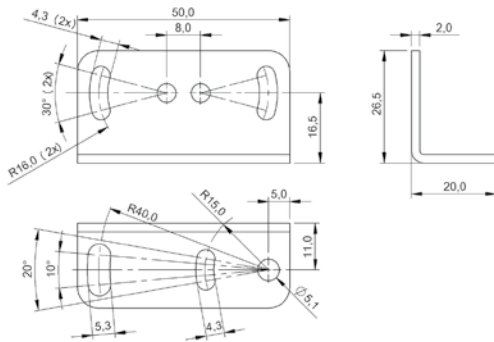
BAM00UH



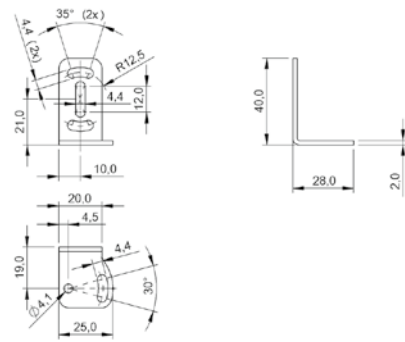
BAM02ZE



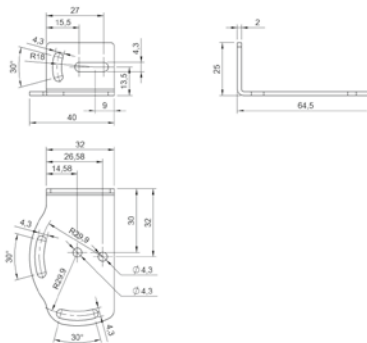
BAM00T7



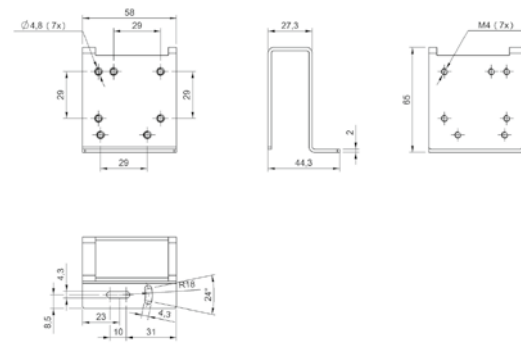
BAM00T9



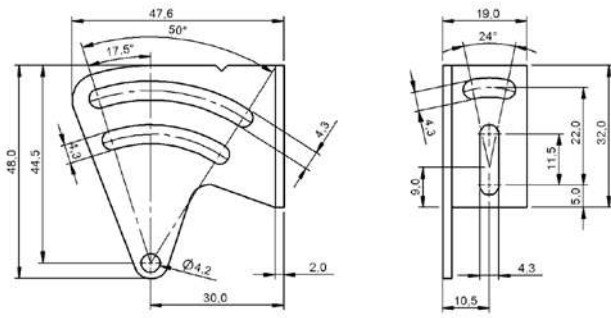
BAM00TA



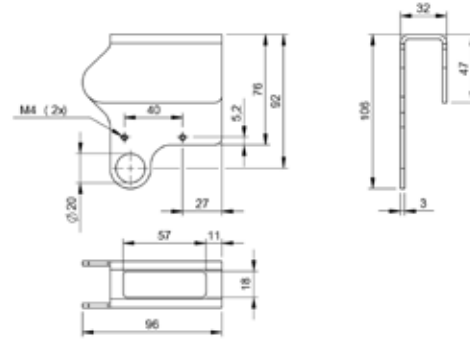
BAM01FK



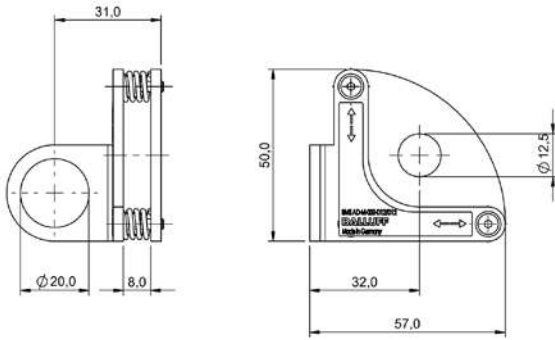
BAM01FM



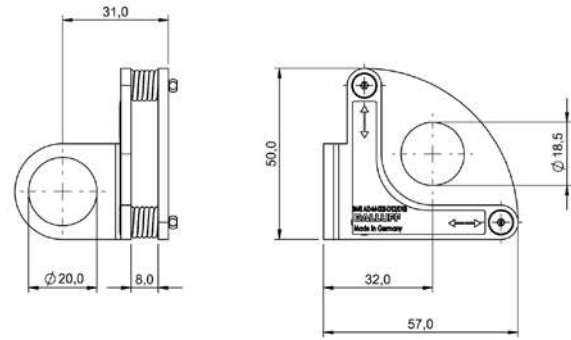
BAM00TK



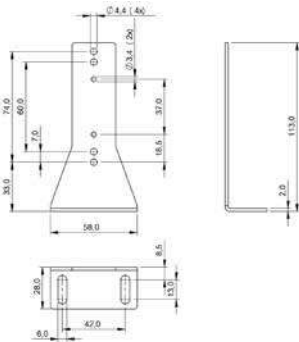
BAM02KL



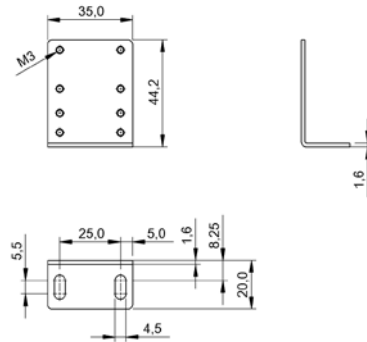
BAM003E



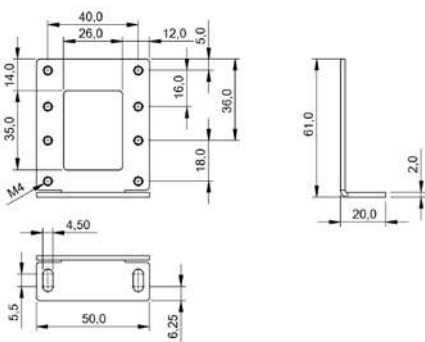
BAM0038



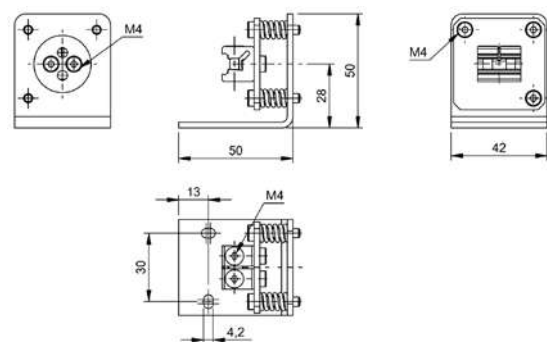
BAM00U8



BAM00U9



BAM00UA



BAM027E



	BAM01K6 BMF 103-HW-100	BAM01K7 BMF 103-HW-102	BAM00K9 BMF 103-HW-42	
Principle of operation	BMF mounting bracket	BMF mounting bracket	BMF mounting bracket	
Application	Pneumatic flat cylinder with integrated groove	Pneumatic flat cylinder with integrated groove	Pneumatic flat cylinder with integrated groove	
Use	for magnetic sensors BMF 103	for magnetic sensors BMF 103	for magnetic sensors BMF 103	
Material	Brass nickel plated	Brass nickel plated	Brass nickel plated	
Ambient temperature	-40...85 °C	-40...85 °C	-40...85 °C	
Productview	Page 528	Page 528	Page 528	



	BAM00L1 BMF 303-HW-31	BAM00L2 BMF 303-HW-33	BAM00L4 BMF 303-HW-40	
Principle of operation	BMF mounting bracket	BMF mounting bracket	BMF mounting bracket	
Application	Pneumatic cylinder with integrated groove	Pneumatic cylinder with integrated groove	Pneumatic cylinder with integrated groove	
Use	for magnetic sensors BMF 303	for magnetic sensors BMF 303	for magnetic sensors BMF 303	
Material	Nickel silver	Aluminum	Brass nickel plated	
Ambient temperature	-40...85 °C	-40...85 °C	-40...85 °C	
Productview	Page 529	Page 529	Page 529	



BAM00KA BMF 103-HW-43	BAM00KN BMF 103-HW-85	BAM01K9 BMF 303-HW-101	BAM00KZ BMF 303-HW-28	BAM00LO BMF 303-HW-30
BMF mounting bracket	BMF mounting bracket	BMF mounting bracket	BMF mounting bracket	BMF mounting bracket
Pneumatic flat cylinder with integrated groove	Pneumatic cylinder with integrated groove	Pneumatic cylinder with integrated groove	Pneumatic cylinder with integrated groove	Pneumatic cylinder with integrated groove
for magnetic sensors BMF 103	for magnetic sensors BMF 103	for magnetic sensors BMF 303	for magnetic sensors BMF 303	for magnetic sensors BMF 303
Brass nickel plated	Aluminum	Aluminum Anodized	Brass nickel plated	Brass nickel plated
-40...85 °C	-40...85 °C	-40...85 °C	-40...85 °C	-40...85 °C
Page 528	Page 528	Page 528	Page 528	Page 528



BAM00L6 BMF 303-HW-51	BAM00L7 BMF 303-HW-59	BAM00L8 BMF 303-HW-60	BAM00LE BMF 303-HW-69	BAM00LF BMF 303-HW-80
BMF mounting bracket	BMF mounting bracket	BMF mounting bracket	BMF mounting bracket	BMF mounting bracket
Pneumatic cylinder with integrated groove, Holder suitable for 2 T slot dimension.	Pneumatic cylinder, round without groove or tie rod, Piston diameter 8 - 80 mm	Pneumatic cylinder with integrated groove, Used with BMF 303-HW-51, Holder suitable for 2 T slot dimension.	Pneumatic cylinder with integrated groove, Fabco Pancake cylinder	Pneumatic cylinder with integrated mounting rail
for magnetic sensors BMF 303	for magnetic sensors BMF 303	for magnetic sensors BMF 303	for magnetic sensors BMF 303	for magnetic sensors BMF 303
Aluminum Anodized	Aluminum	Aluminum	Aluminum	Aluminum Anodized
-40...85 °C	-40...85 °C	-40...85 °C	-40...85 °C	-40...85 °C
Page 529	Page 529	Page 529	Page 529	Page 529



	BAM01F0 BMF 303-HW-97	BAM01K8 BMF 305-HW-106	BAM00LJ BMF 305-HW-20	
Principle of operation	BMF mounting bracket	BMF mounting bracket	BMF mounting bracket	
Application	Pneumatic cylinder with integrated groove	Pneumatic cylinder with integrated groove	Pneumatic cylinder with integrated groove	
Use	for magnetic sensors BMF 303	for magnetic sensors BMF 305	for magnetic sensors BMF 305	
Material	Brass nickel plated	Aluminum Anodized	Brass nickel plated	
Ambient temperature	-40...85 °C	-40...85 °C	-40...85 °C	
Productview	Page 530	Page 530	Page 530	



	BAM01EZ BMF 305-HW-98	BAM01EY BMF 305-HW-99	BAM01M9 BMF 235-HW-109	
Principle of operation	BMF mounting bracket	BMF mounting bracket	BMF mounting bracket	
Application	Pneumatic cylinder with integrated groove	Pneumatic cylinder with integrated groove, Holder suitable for 2 T slot dimension.	Pneumatic cylinder with tie rods, Piston diameter: any	
Use	for magnetic sensors BMF 305	for magnetic sensors BMF 305	for magnetic sensors BMF 235	
Material	Brass nickel plated	Aluminum Anodized	Aluminum	
Ambient temperature	-40...85 °C	-40...85 °C	—	
Productview	Page 531	Page 531	Page 531	



BAM00LP BMF 305-HW-24	BAM00LT BMF 305-HW-26	BAM00LU BMF 305-HW-27	BAM00LW BMF 305-HW-32	BAM01C4 BMF 305-HW-92
BMF mounting bracket	BMF mounting bracket	BMF mounting bracket	BMF mounting bracket	BMF mounting bracket
Pneumatic cylinder, round without groove or tie rod, Piston diameter $\leq 8 - 80$ mm	Pneumatic cylinder with integrated groove, Used with BMF 303-HW-51, Holder suitable for 2 T slot dimension., For slot dimensions see drawing	Pneumatic cylinder with integrated mounting rail	Pneumatic cylinder with integrated groove	Pneumatic cylinder with integrated groove
for magnetic sensors BMF 305	for magnetic sensors BMF 305	for magnetic sensors BMF 305	for magnetic sensors BMF 305	for magnetic sensors BMF 305
Brass nickel plated	Aluminum Anodized	Aluminum Anodized	Aluminum Anodized	Aluminum Anodized
-40...85 °C	-40...85 °C	-40...85 °C	-40...85 °C	-40...85 °C
Page 530	Page 530	Page 530	Page 530	Page 530



BAM01MA BMF 235-HW-110	BAM01MC BMF 235-HW-111	BAM01Y9 BMF 307-HW-112	BAM00KR BMF 10E-HW-19	
BMF mounting bracket	BMF mounting bracket	BMF mounting bracket	BMF mounting bracket	
Pneumatic cylinder with tie rods, Piston diameter: any	Pneumatic cylinder with tie rods, Piston diameter: any	Pneumatic cylinder, round without groove or tie rod, Piston diameter $\leq 8 - 110$ mm	Pneumatic cylinder, round without groove or tie rod, Piston diameter 8 - 63 mm	
for magnetic sensors BMF 235	for magnetic sensors BMF 235	for magnetic sensors BMF 307, for magnetic sensors BMF 235	for magnetic sensors BMF 10E	
Aluminum	Aluminum	Aluminum	Stainless steel (1.4305)	
—	—	-40...85 °C	-40...85 °C	
Page 531	Page 531	Page 531	Page 531	

Sensors

RFID

Machine Vision and Optical Identification

Human Machine Interfaces

Safety

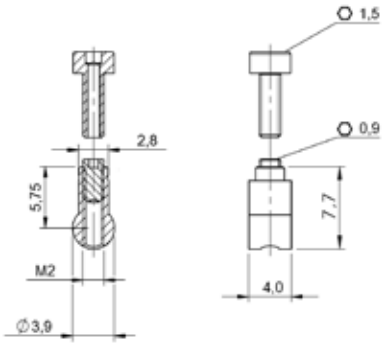
Industrial Networking

Software and System Solutions

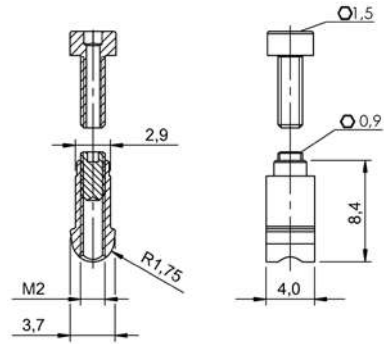
Power Supply

Connectivity

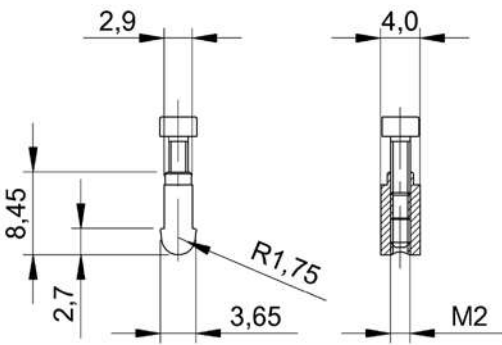
Accessories



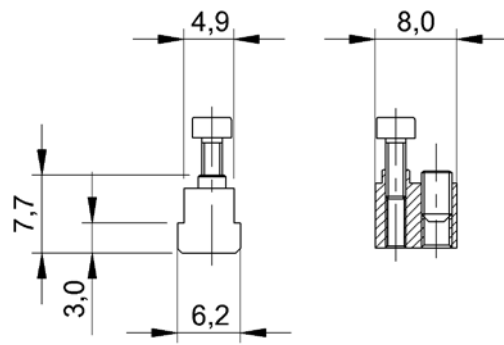
BAM01K6



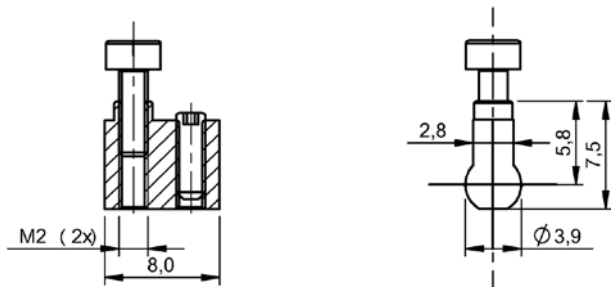
BAM01K7



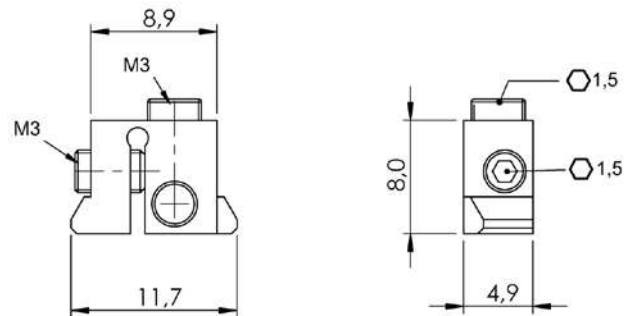
BAM00K9



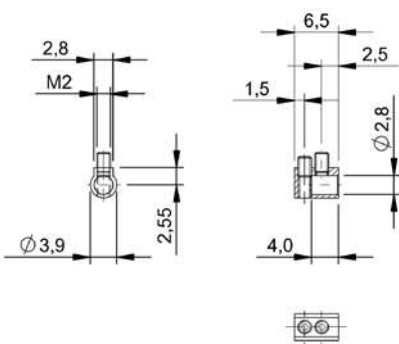
BAM00KA



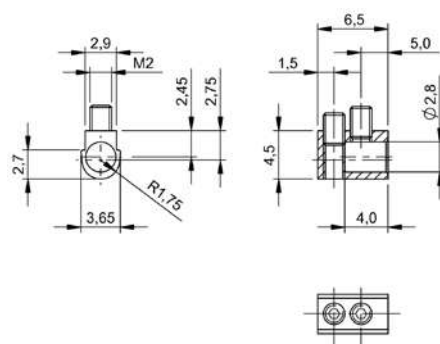
BAM00KN



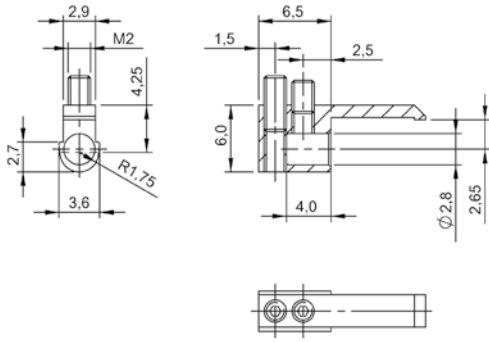
BAM01K9



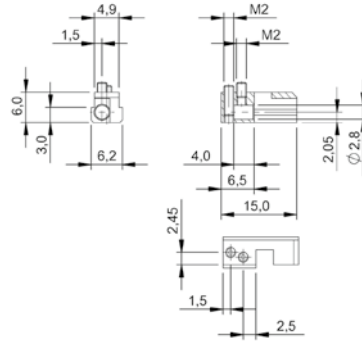
BAM00KZ



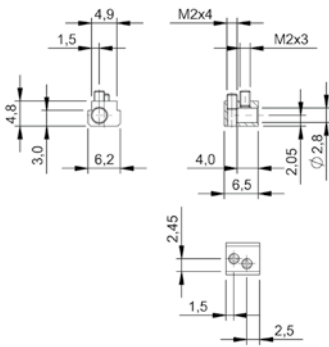
BAM00LO



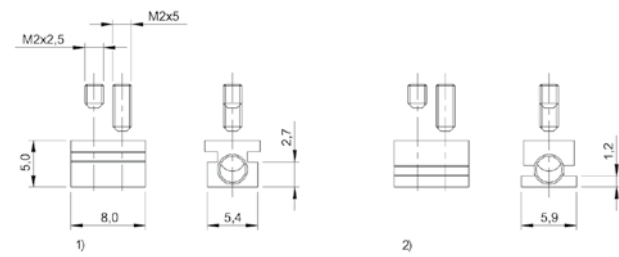
BAM00L1



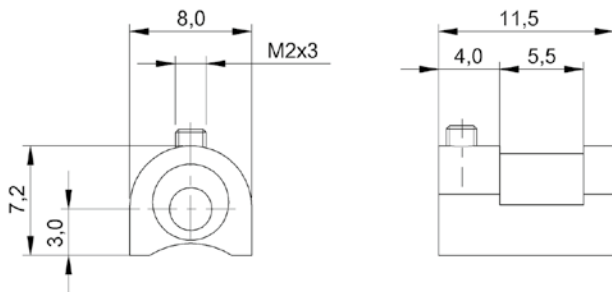
BAM00L2



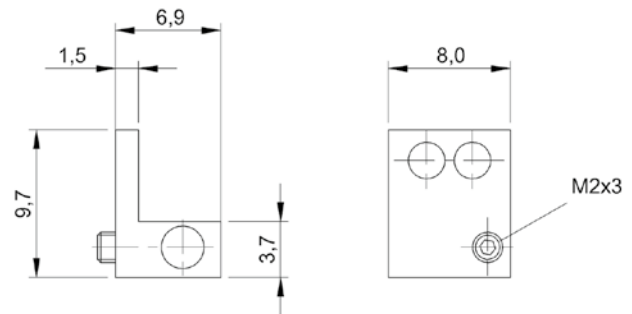
BAM00L4



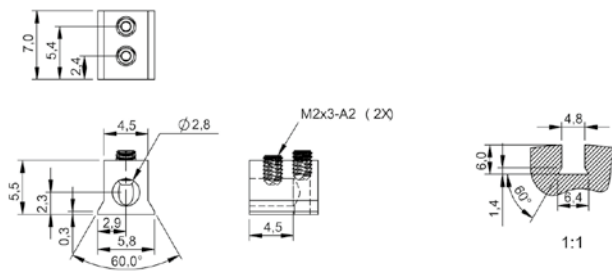
BAM00L6



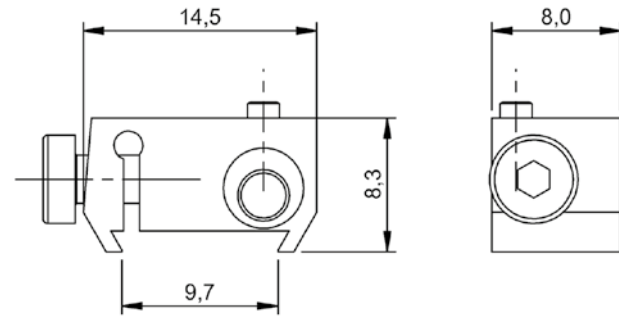
BAM00L7



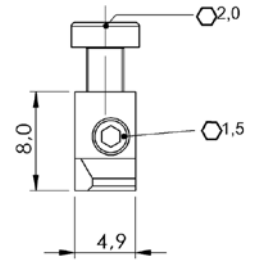
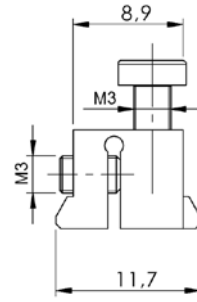
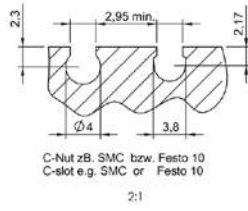
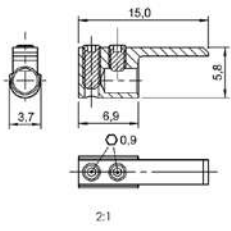
BAM00L8



BAM00LE

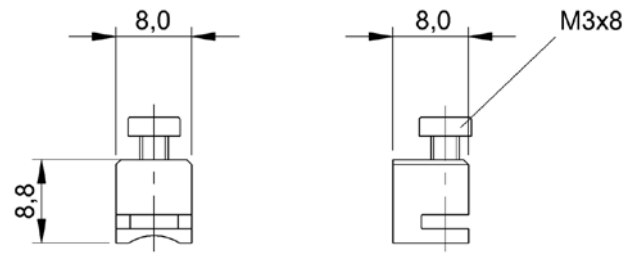
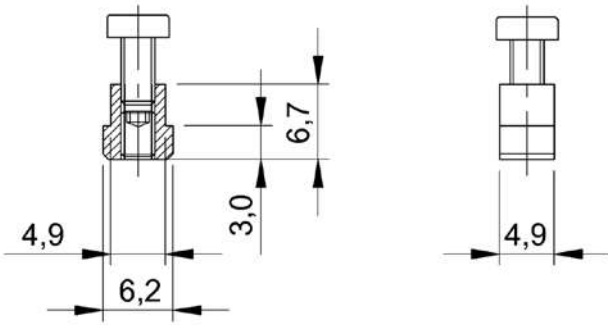


BAM00LF



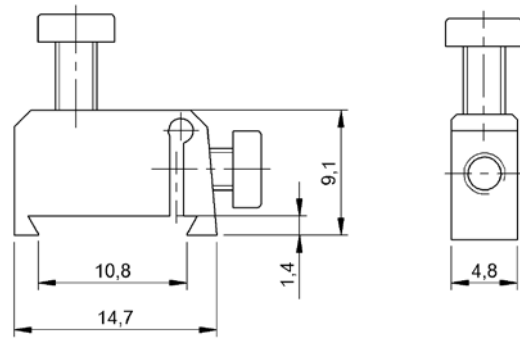
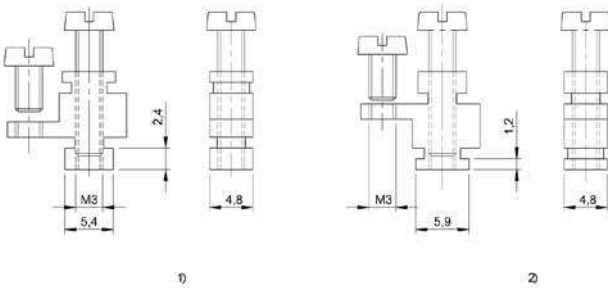
BAM01F0

BAM01K8



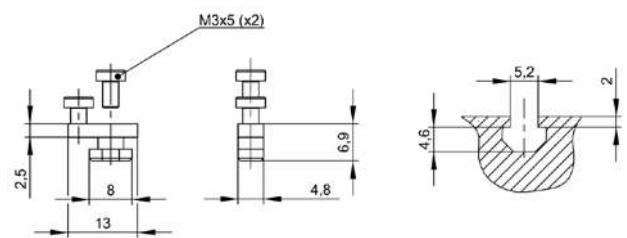
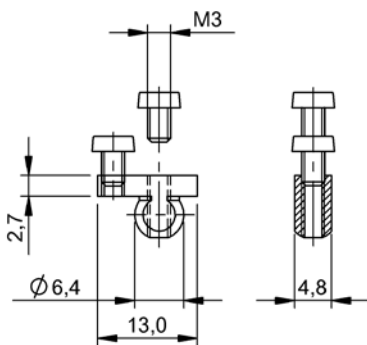
BAM00LJ

BAM00LP



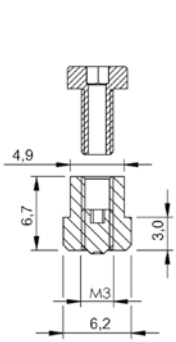
BAM00LT

BAM00LU

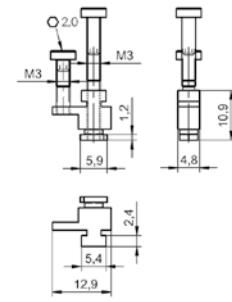
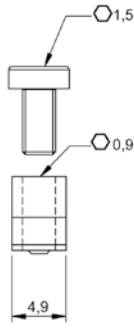


BAM00LW

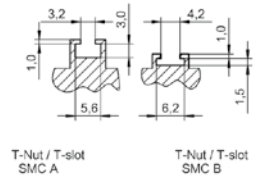
BAM01C4



BAM01EZ

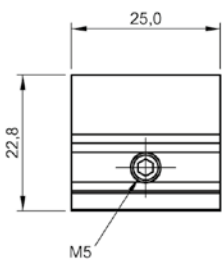


BAM01EY

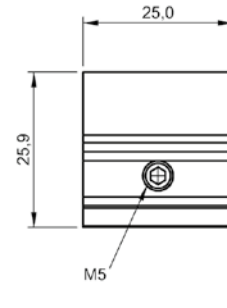
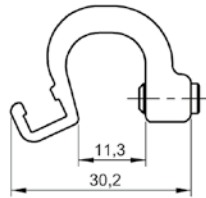


T-Nut / T-slot SMC A

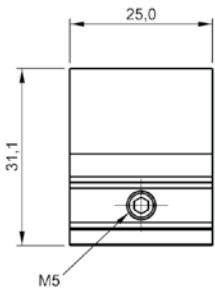
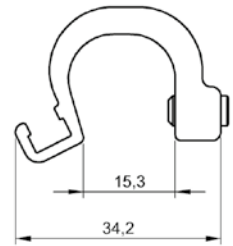
T-Nut / T-slot SMC B



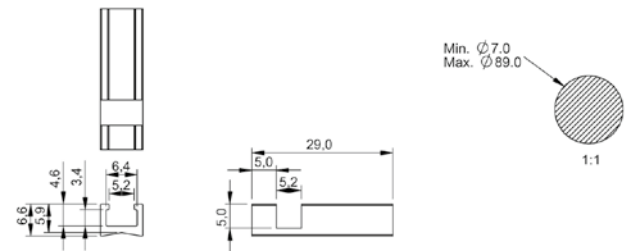
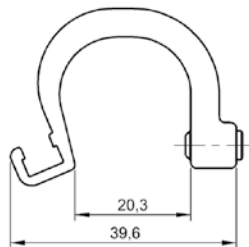
BAM01M9



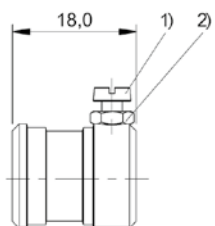
BAM01MA



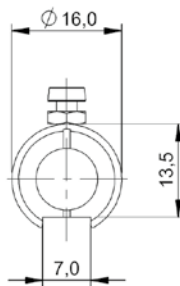
BAM01MC



BAM01Y9



BAM00KR

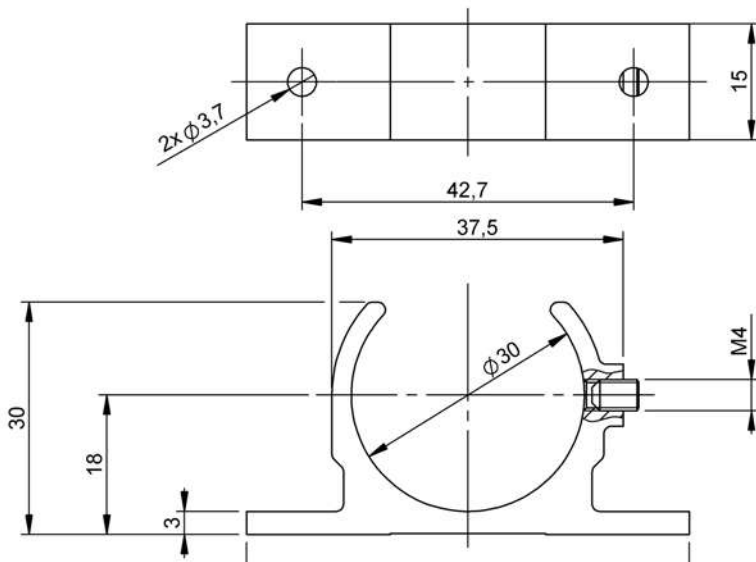




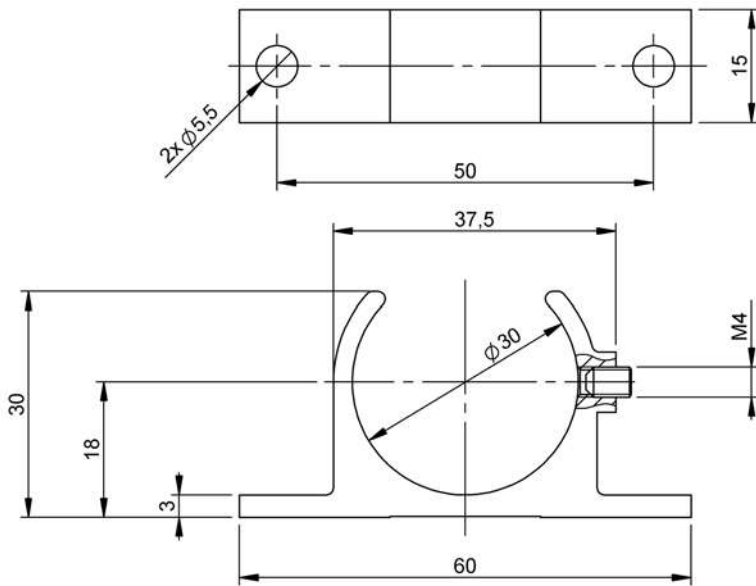
	BAM010W BTL6-A-MF01-A-43	
Principle of operation	BTL control arm	
Material	Aluminum anodized	
Mounting	Through-hole 3.7 mm (2x)	
Productview	Page 534	



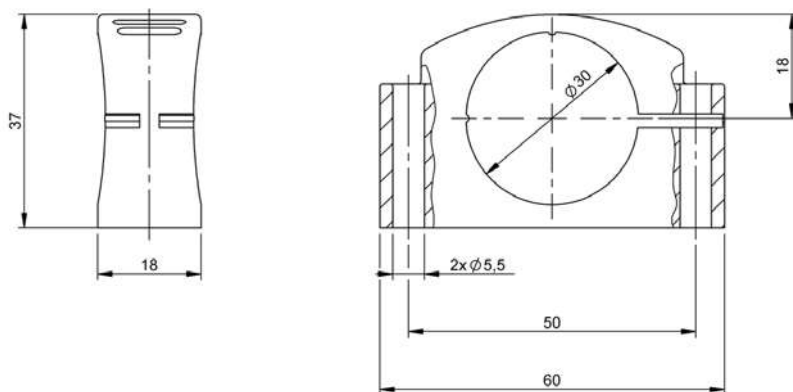
BAM010Y BTL6-A-MF01-A-50	BAM0110 BTL6-A-MF03-K-50	BAM01N3 BTL6-A-MF07-A-PF/M5
BTL control arm	BTL control arm	BTL control arm
Aluminum anodized	PA anodized	Aluminum anodized
Through-hole 5.5 mm (2x)	Through-hole 5.5 mm (2x)	2x cylinder head screw ISO 4762 M5x25
Page 534	Page 534	Page 535



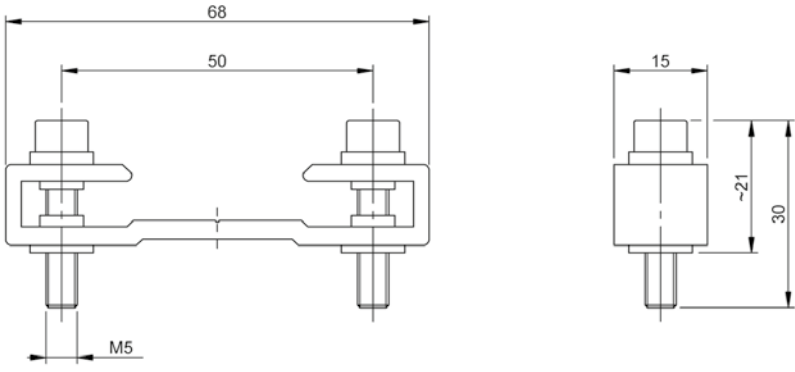
BAM010W



BAM010Y



BAM0110



BAM01N3

Sensors

RFID

Machine Vision and
Optical Identification

Human Machine
Interfaces

Safety

Industrial Networking

Software and
System Solutions

Power Supply

Connectivity

Accessories



	BAM009K BES 08-DM-1	BAM01WF BAM MC-XA-021-M5-4	BAM01WR BAM MC-XA-021-M8-3	
Principle of operation	Sealing element	General installation accessories	General installation accessories	
Use	For sealing of pressure rated sensors M8	For M05 sensors	For M08 sensors	
Material	PA phosphated	Stainless steel	Galvanized steel	
Ambient temperature	-40...110 °C	—	—	
Productview	Page 538	Page 538	Page 538	



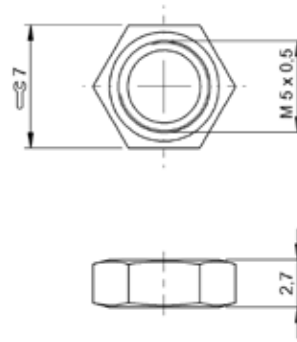
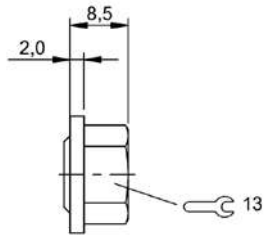
	BAM01WJ BAM MC-XA-021-M18-4	BAM01WL BAM MC-XA-021-M18-A	BAM01W5 BAM MC-XA-021-M30-2	
Principle of operation	General installation accessories	General installation accessories	General installation accessories	
Use	For M18 sensors	For M18 sensors	For M30 sensors	
Material	Stainless steel	PA	Brass nickel plated	
Ambient temperature	—	-30...85 °C	—	
Productview	Page 538	Page 538	Page 538	



	BAM033A BAM MC-XA-021-M8-4-01	BAM01W3 BAM MC-XA-021-M12-2	BAM01WH BAM MC-XA-021-M12-4	BAM01W6 BAM MC-XA-021-M16-2	BAM01W4 BAM MC-XA-021-M18-2
	General installation accessories	General installation accessories	General installation accessories	General installation accessories	General installation accessories
	For M08 sensors	For M12 sensors	For M12 sensors	For M16 sensors	For M18 sensors
	Steel	Brass nickel plated	Stainless steel	Galvanized brass	Brass nickel plated
	—	—	—	—	—
	Page 538	Page 538	Page 538	Page 538	Page 538

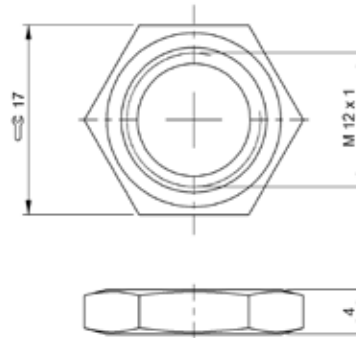
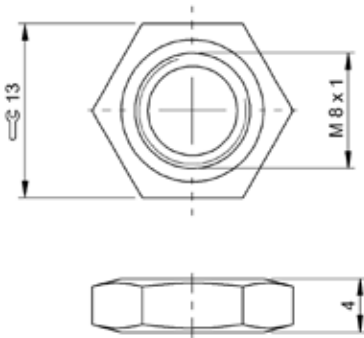


	BAM01WK BAM MC-XA-021-M30-4	BAM01WM BAM MC-XA-021-M30-A			
	General installation accessories	General installation accessories			
	For M30 sensors	For M30 sensors			
	Stainless steel	PA			
	—	-30...85 °C			
	Page 538	Page 539			



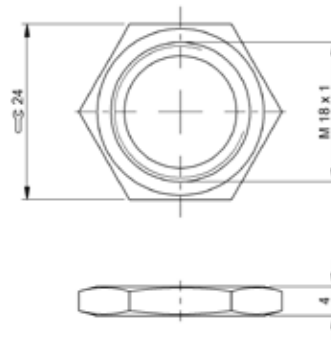
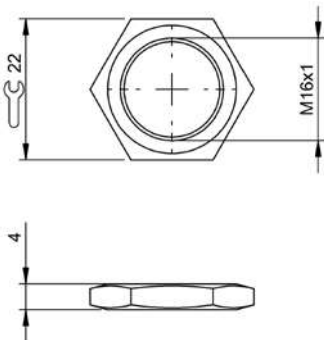
BAM009K

BAM01WF



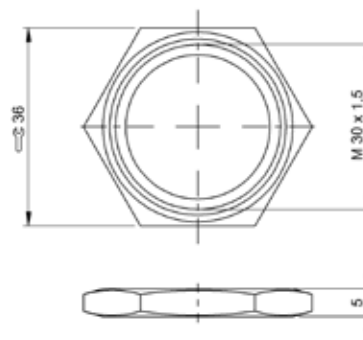
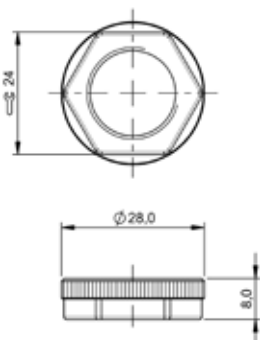
BAM01WR, BAM033A

BAM01W3, BAM01WH



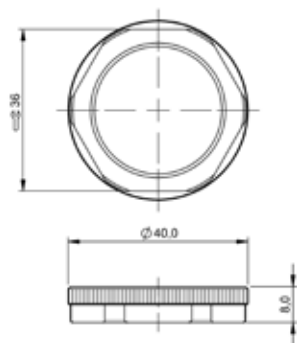
BAM01W6

BAM01W4, BAM01WJ



BAM01WL

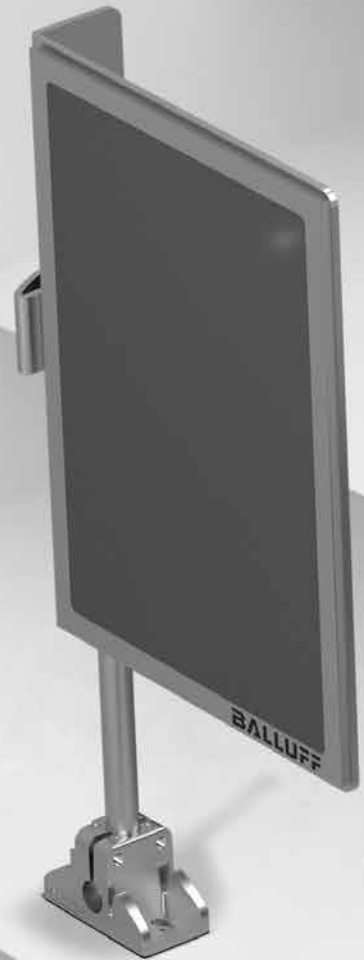
BAM01W5, BAM01WK

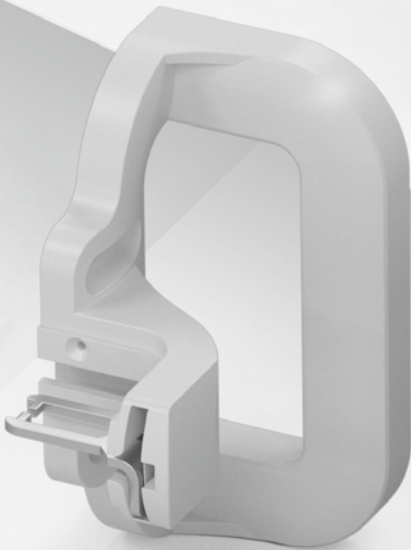
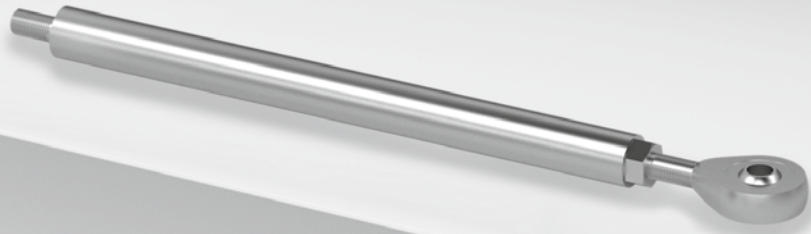
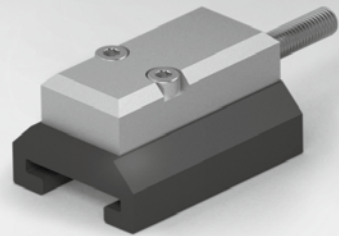


BAM01WM

MECHANICAL ACCESSORIES

With simple assembly and installation, our great selection of high-quality accessories supports you in optimally embedding sensors in machines and systems. The wide Balluff product range offers the optimum gear for nearly every application.





Sensors

RFID

Machine Vision and
Optical Identification

Human Machine Inter-
faces

Safety

Industrial Networking

Software and
System Solutions

Power Supply

Connectivity

Accessories



	BAE00E5 BAE PD-US-004-S04	BAE00E6 BAE PD-US-004-S92	
Principle of operation	Teach adapter	Teach adapter	
Use	for ultrasonic sensors BUS	for ultrasonic sensors BUS	
Teach function	Pin3 to Pin2	Pin3 to Pin5	
Connection 1	M12x1-Female, 5-pole	M12x1-Female, 5-pole	
Connection 2	M12x1-Male, 5-pole	M12x1-Male, 5-pole	
Dimension	12 x 30 x 300 mm	12 x 30 x 300 mm	
Material	PA	PA	
Ambient temperature	-25...80 °C	-25...80 °C	
Protection degree	IP67	IP67	
Approval/Conformity	CE	CE	
Productview	Page 544	Page 544	



	BAM00ZL BAM T0-CC-001-M3-0,4/8,0	BAM033L BAM T0-CC-001-M4-0,6/12,0/18,0	
Principle of operation	Torque handle	Torque handle	
Use	for M8 connector	BNI M12	
Material	Stainless steel	Stainless steel	
Productview	Page 544	Page 544	



BAE00MR BAE PD-US-007-S92	BAM000E BFO CT	BAM02RY BAM TO-XA-013-01	BAM00ZN BAM TO-CC-001-A3-1,5/24,0
Teach adapter	Cutter template	Tool set	Torque handle
for ultrasonic sensors BUS	for photoelectric fiber optics BFO	for installation	for connectors 7/8"
Pin1 to Pin5	—	—	—
M12x1-Female, 5-pole	—	—	—
M12x1-Male, 5-pole	—	—	—
12 x 30 x 300 mm	21 x 8 x 53 mm	10 x 15 x 55 mm	—
PA	Plastic	Plastic	Stainless steel
-25...80 °C	—	—	—
IP67	—	—	—
CE	—	—	—
Page 544	Page 544	Page 544	Page 544



BAM0291 BAM TO-XA-009-A-0,7-2,0			
Hex key set			
for installation			
Stainless steel Plastic			
Page 544			

Sensors

RFID

Machine Vision and
Optical Identification

Human Machine
Interfaces

Safety

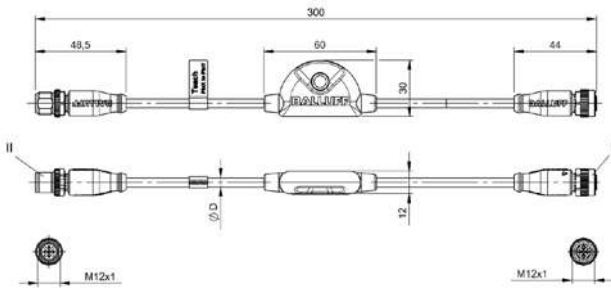
Industrial Networking

Software and
System Solutions

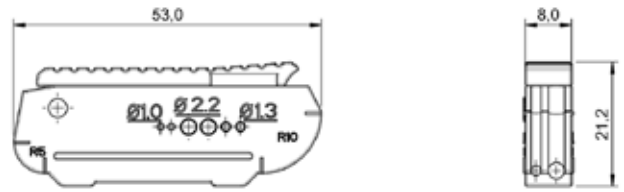
Power Supply

Connectivity

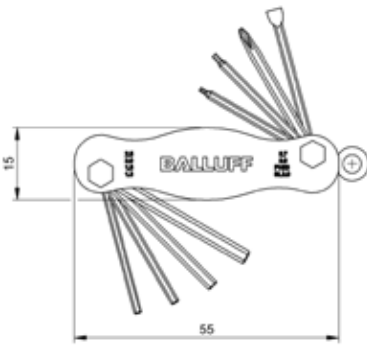
Accessories



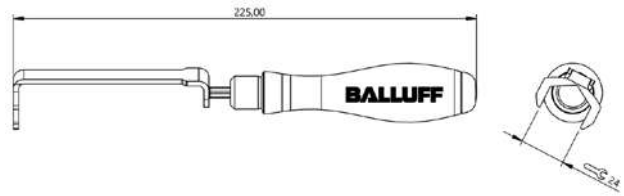
BAE00E5, BAE00E6, BAE00MR



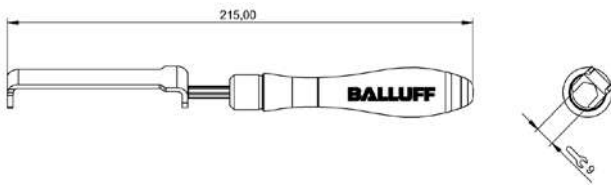
BAM000E



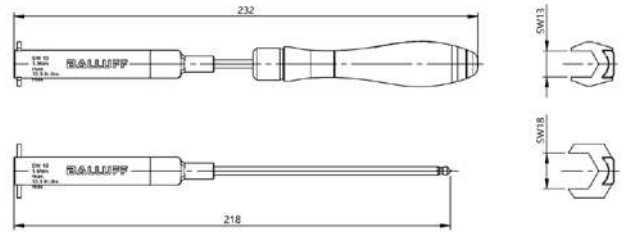
BAM02RY



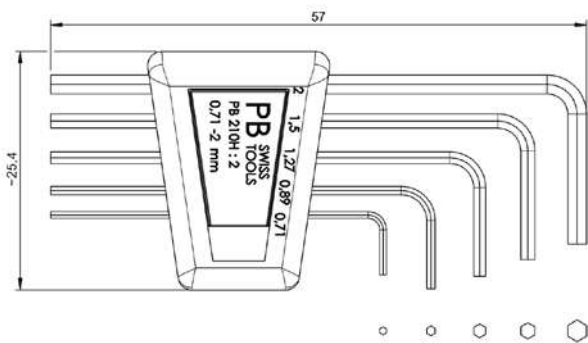
BAM00ZN



BAM00ZL



BAM033L



BAM0291



	BAM014M BTL5-P-3800-2	BAM014P BTL5-P-4500-1	
Principle of operation	BTL magnets, profile style	BTL magnets, profile style	
Version	floating	floating	
Material	POM	POM	
Dimension	37.6 x 14 x 20 mm	45 x 40 x 28 mm	
Distance min. to BTL	0.1 mm	0.1 mm	
Distance max. to BTL	4 mm	2 mm	
Ambient temperature	-40...85 °C	-40...60 °C	
Productview	Page 548	Page 548	



	BAM014K BTL5-M-2814-1S	BAM014L BTL5-N-2814-1S	
Principle of operation	BTL magnets, profile style	BTL magnets, profile style	
Version	captive	captive	
Material	Aluminum Iglidur J	Aluminum Iglidur J	
Dimension	28 x 20.5 x 41 mm	28 x 23 x 41 mm	
Distance min. to BTL	—	—	
Distance max. to BTL	—	—	
Ambient temperature	-40...85 °C	-40...85 °C	
Productview	Page 548	Page 548	

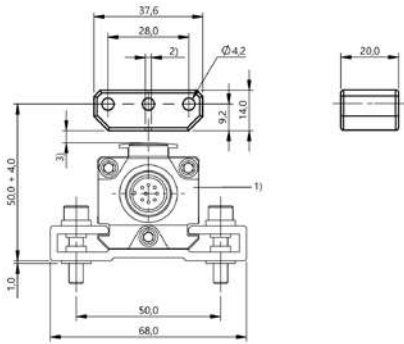


	BAM014T BTL5-P-5500-2	BAM014W BTL6-A-3800-2	BAM014Z BTL6-A-3801-2	BAM014H BTL5-F-2814-1S
	BTL magnets, profile style	BTL magnets, profile style	BTL magnets, profile style	BTL magnets, profile style
	floating	floating	floating	captive
	POM	POM	POM	Iglidur J
	55 x 20 x 21 mm	37.6 x 29 x 21 mm	37.6 x 18.3 x 21 mm	28 x 29.9 x 40 mm
	5.0 mm	4.0 mm	4.0 mm	—
	15 mm	8 mm	8 mm	—
	-40...85 °C	-40...85 °C	-40...85 °C	-40...85 °C
	Page 548	Page 548	Page 548	Page 548



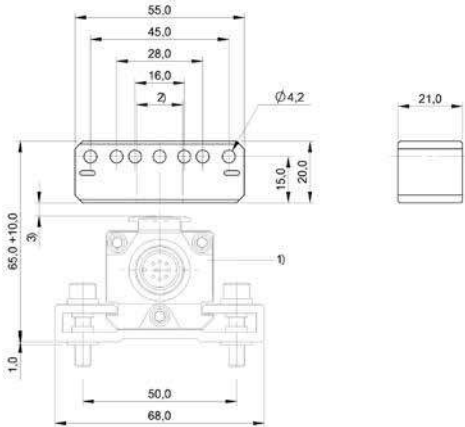
	BAM01FC BTL5-T-2814-1S			
	BTL magnets, profile style			
	captive			
	Iglidur J			
	28 x 16.5 x 40 mm			
	—			
	—			
	-40...85 °C			
	Page 549			

548 | Accessories | Mechanical Accessories



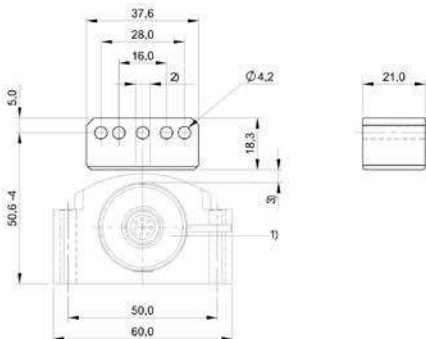
1) not included in scope of delivery, 2) Lateral offset, 3) Distance to BTL

BAM014M



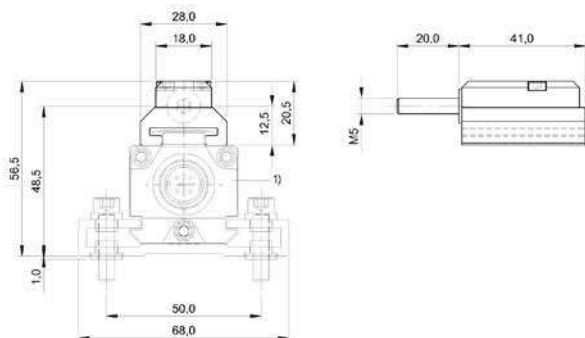
1) not included in scope of delivery, 2) Lateral offset, 3) Distance to BTL

BAM014T



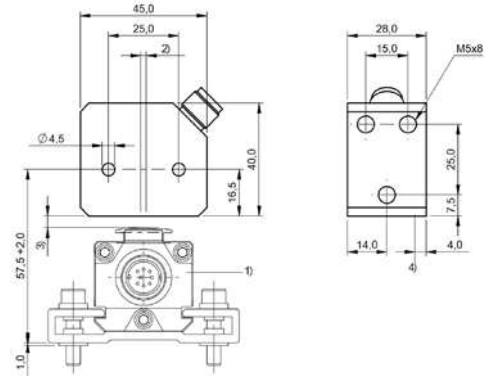
1) not included in scope of delivery, 2) Lateral offset, 3) Distance to BTL

BAM014Z



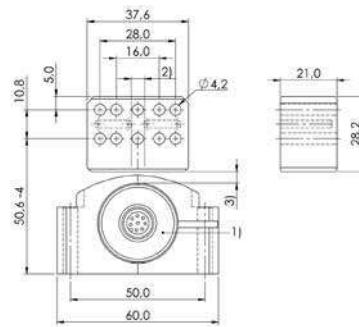
1) not included in scope of delivery

BAM014K



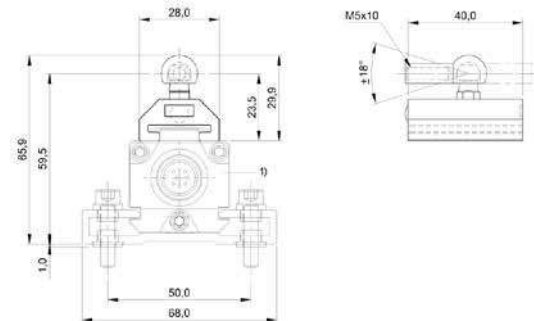
1) not included in scope of delivery, 2) Lateral offset, 3) Distance to BTL, 4) Null point offset for measuring range

BAM014P



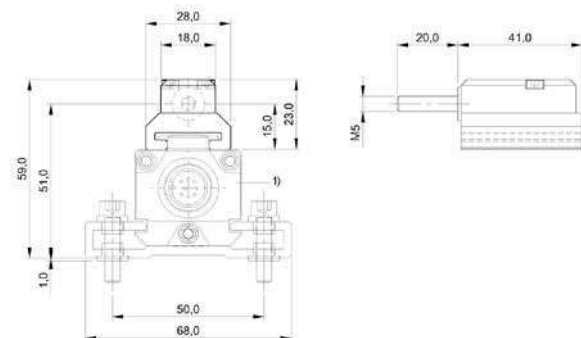
1) not included in scope of delivery, 2) Lateral offset, 3) Distance to BTL

BAM014W



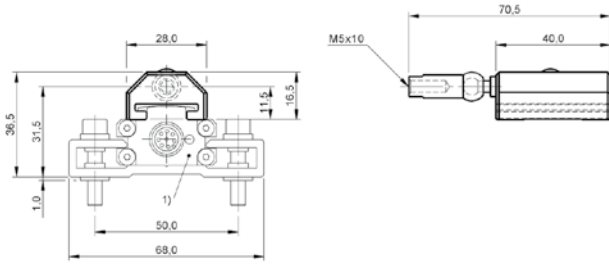
1) not included in scope of delivery

BAM014H



1) not included in scope of delivery

BAM014L



1) not included in scope of delivery

BAM01FC



	BAM01A2 BTL-S-3112-4Z	BAM01KA BTL-S-3112-4Z-SA10	
Principle of operation	BTL magnet, float	BTL magnet, float	
Version	—	—	
Material	Stainless steel (1.4404)	Stainless steel (1.4404)	
Dimension	Ø 31 x 69 mm	Ø 31 x 69 mm	
Inside diameter	11.7 mm	11.7 mm	
Ambient temperature	-20...130 °C	-20...130 °C	
Productview	Page 554	Page 554	



	BAM0147 BTL2-S-4414-4Z-EX	BAM0148 BTL2-S-4414-4Z01-EX	
Principle of operation	BTL magnet, float	BTL magnet, float	
Version	Ex	Ex	
Material	Stainless steel (1.4404)	Stainless steel (1.4404)	
Dimension	Ø 44 x 49 mm	Ø 44 x 49 mm	
Inside diameter	13.0 mm	13.0 mm	
Ambient temperature	-20...120 °C	-20...120 °C	
Productview	Page 554	Page 554	



BAM024J BTL2-S-3212-4Z	BAM0146 BTL2-S-4414-4Z	BAM0149 BTL2-S-5113-4K	BAM014C BTL2-S-6216-8P
BTL magnet, float	BTL magnet, float	BTL magnet, float	BTL magnet, float
—	—	—	—
Stainless steel (1.4404)	Stainless steel (1.4404)	Stainless steel (1.4404)	Stainless steel (1.4541)
Ø 32 x 53 mm	Ø 44 x 49 mm	Ø 50.9 x 52 mm	Ø 62 x 80 mm
11.7 mm	13.0 mm	13.0 mm	16.0 mm
-20...120 °C	-20...120 °C	-20...120 °C	-20...120 °C
Page 554	Page 554	Page 554	Page 554



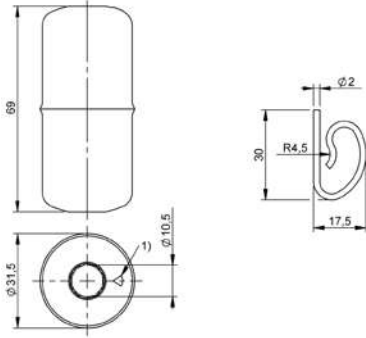
BAM014A BTL2-S-5113-4K-EX	BAM014E BTL2-S-6216-8P-EX	BAM013H BTL-P-0814-GR-PAF	BAM013J BTL-P-1012-4R
BTL magnet, float	BTL magnet, float	BTL magnet, rod	BTL magnet, rod
Ex	Ex	—	—
Stainless steel (1.4404)	Stainless steel (1.4541)	PA 6	Aluminum
Ø 50.9 x 52 mm	Ø 62 x 80 mm	Ø 17.2 x 5 mm	Ø 25 x 8 mm
13.0 mm	16.0 mm	14.0 mm	12.0 mm
-20...120 °C	-20...120 °C	-40...60 °C	-40...100 °C
Page 555	Page 555	Page 555	Page 555



	BAM013K BTL-P-1012-4R-PA	BAM013L BTL-P-1013-4R	
Principle of operation	BTL magnet, rod	BTL magnet, rod	
Version	—	—	
Material	PA	Aluminum	
Dimension	Ø 25 x 8 mm	Ø 32 x 8 mm	
Inside diameter	12.0 mm	13.0 mm	
Ambient temperature	-40...100 °C	-40...100 °C	
Productview	Page 555	Page 555	

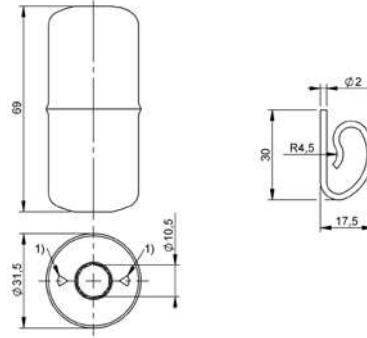


	BAM013M BTL-P-1013-4R-PA	BAM013P BTL-P-1013-4S	BAM013R BTL-P-1014-2R	BAM013Y BTL-P-1028-15R
	BTL magnet, rod	BTL magnet, rod	BTL magnet, rod	BTL magnet, rod
	—	—	—	—
	PA	Aluminum	Aluminum	Aluminum
	Ø 32 x 8 mm	Ø 32 x 8 mm	Ø 21.9 x 8 mm	Ø 65 x 8 mm
	13.0 mm	13.0 mm	13.5 mm	28.0 mm
	-40...100 °C	-40...100 °C	-40...100 °C	-40...85 °C
	Page 555	Page 555	Page 555	Page 555



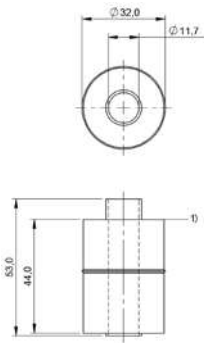
1) Designation for upper side

BAM01A2



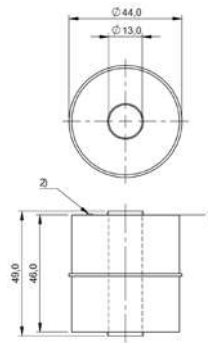
1) Designation for upper side

BAM01KA



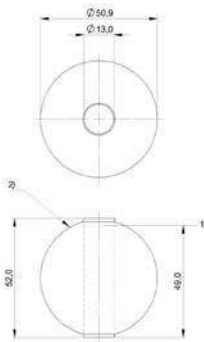
1) Reference point

BAM024J



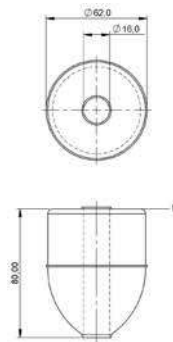
1) Reference point, 2) Designation for upper side

BAM0146



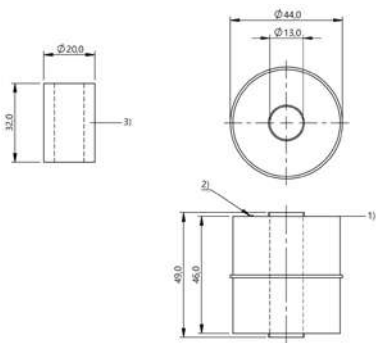
1) Reference point, 2) Designation for upper side

BAM0149



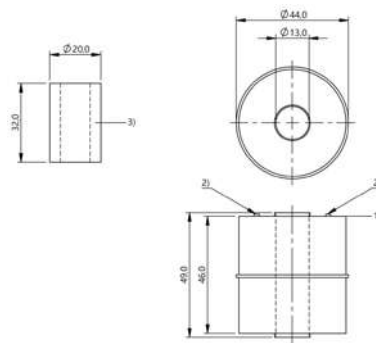
1) Reference point

BAM014C



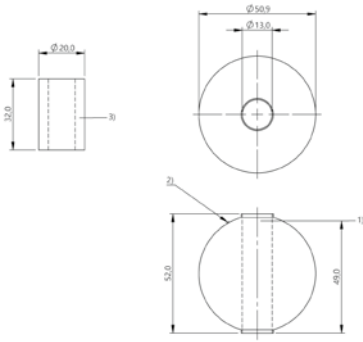
1) Reference point, 2) Designation for upper side, 3) Spacer

BAM0147



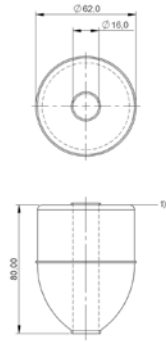
1) Reference point, 2) Designation for upper side, 3) Spacer

BAM0148



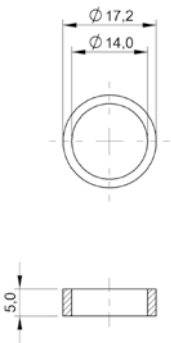
1) Reference point, 2) Designation for upper side, 3) Spacer

BAM014A

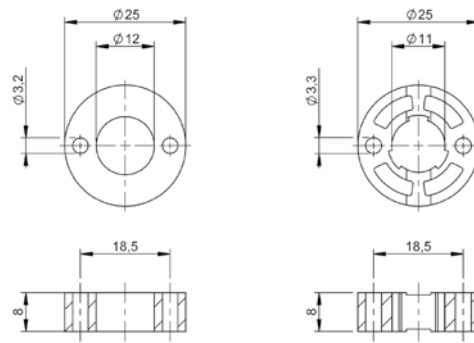


1) Reference point

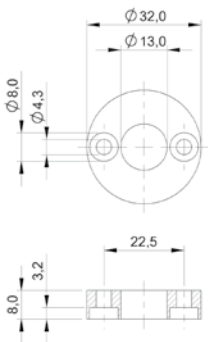
BAM014E



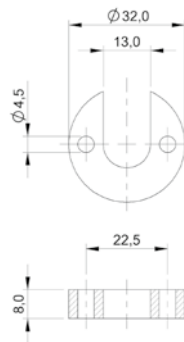
BAM013H



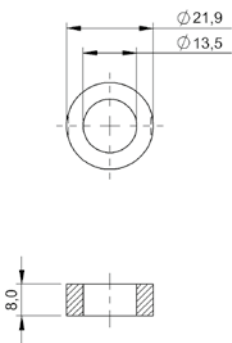
BAM013J, BAM013K



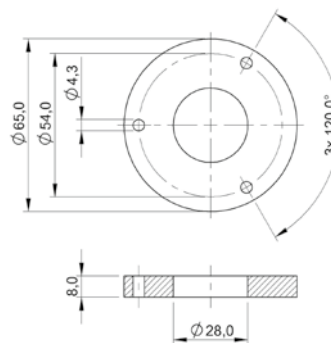
BAM013L, BAM013M



BAM013P



BAM013R



BAM013Y



	BAM032U BAM IA-MS-030-A5	BAM01JT BAM IA-XA-003-4x5-Y	
Principle of operation	—	—	
Version	Info pouch A5, magnetic	Label plates	
Use	For label holder	For the marking of network module	
Material	PET	ABS (white)	
Dimension	3 x 225 x 163 mm	133 x 1 x 83 mm	
Mounting	magnetic	Clamps	
Ambient temperature	-30...120 °C	—	
Productview	Page 558	Page 558	

Page 558



	BAM01HJ BAM AP-US-002-M18-0	BAM0270 BAM TG-ID-016-A01	
Principle of operation	—	Actuator	
Version	Focusing attachment	Actuator	
Use	For ultrasonic sensors BUS	For locking fixture BID	
Material	POM	Stainless steel	
Dimension	Ø 25 x 80 mm	17 x 32 x 48 mm	
Mounting	Thread M18x1	Screw M5	
Ambient temperature	—	—	
Productview	Page 558	Page 558	



BAM032W BAM IA-XA-023-01	BAE00EF BTL7-A-CB02-K	BAE00E1 BTL7-A-CB02-S115	BAE00EC BTL7-A-CB02-S32
—	Calibration box	Calibration box	Calibration box
Label plates	—	—	—
For signaling and display units	For magnetostrictive sensors BTL	For magnetostrictive sensors BTL	For magnetostrictive sensors BTL
Anodized aluminum Die-cast zinc Galvanized steel PP	ABS	ABS	ABS
41 x 300 x 187 mm	61 x 25 x 732 mm	61 x 25 x 732 mm	61 x 25 x 732 mm
Clamps, Screw M5	—	—	—
—	0...50 °C	0...50 °C	0...50 °C
Page 558	Page 558	Page 558	Page 542



BAM0271 BAM TG-ID-016-H01	BAM0272 BAM TG-ID-016-H02		
Actuator	Actuator		
Actuator	Actuator		
For locking fixture BID	For locking fixture BID		
Aluminum	Aluminum		
145 x 72 x 113 mm	145 x 94 x 113 mm		
Screw M5	Screw M5		
—	—		
Page 559	Page 559		

Sensors

RFID

Machine Vision and
Optical Identification

Human Machine
Interfaces

Safety

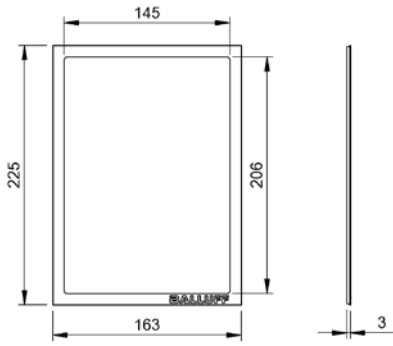
Industrial Networking

Software and
System Solutions

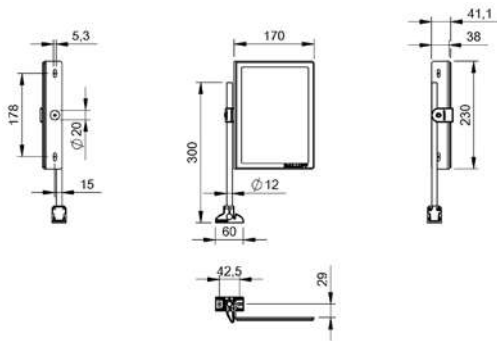
Power Supply

Connectivity

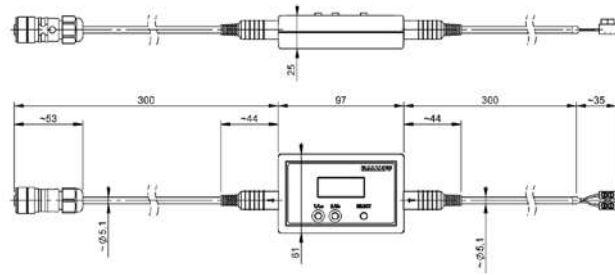
Accessories



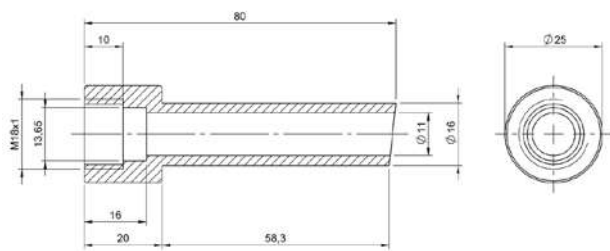
BAM032U



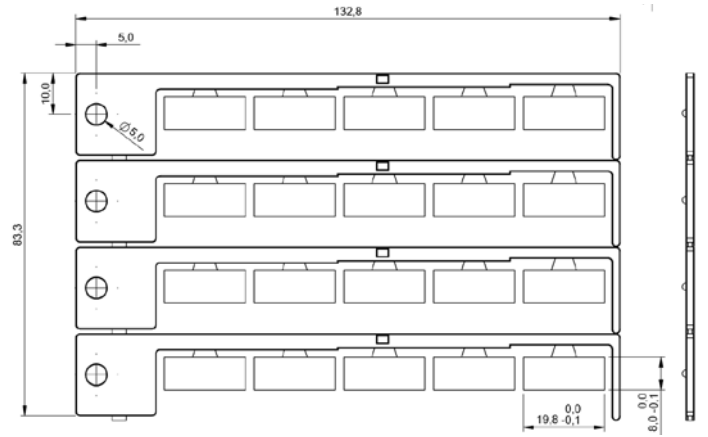
BAM032W



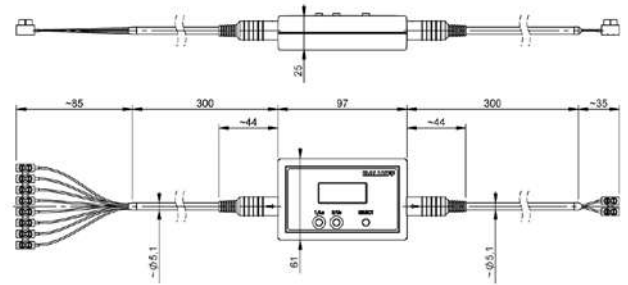
BAE00E1



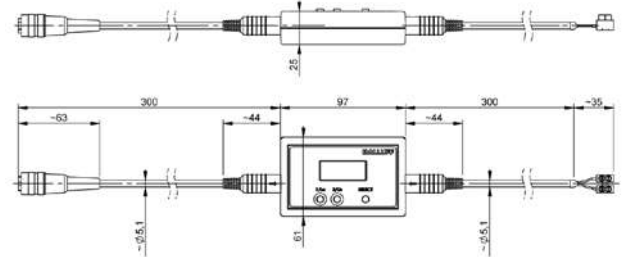
BAM01HJ



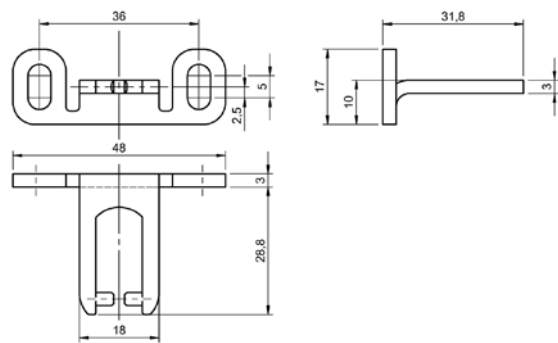
BAM01JT



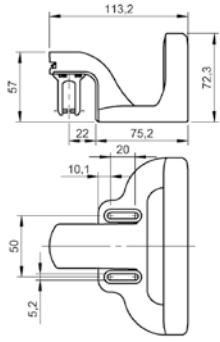
BAE00EF



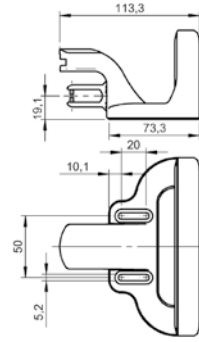
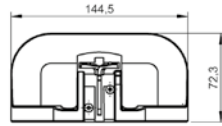
BAE00EC



BAM0270



BAM0271



BAM0272

Sensors

RFID

Machine Vision and
Optical Identification

Human Machine
Interfaces

Safety

Industrial Networking

Software and
System Solutions

Power Supply

Connectivity

Accessories

Optimum lighting conditions for your application

LIGHTING FOR VISION SYSTEMS AND MACHINES

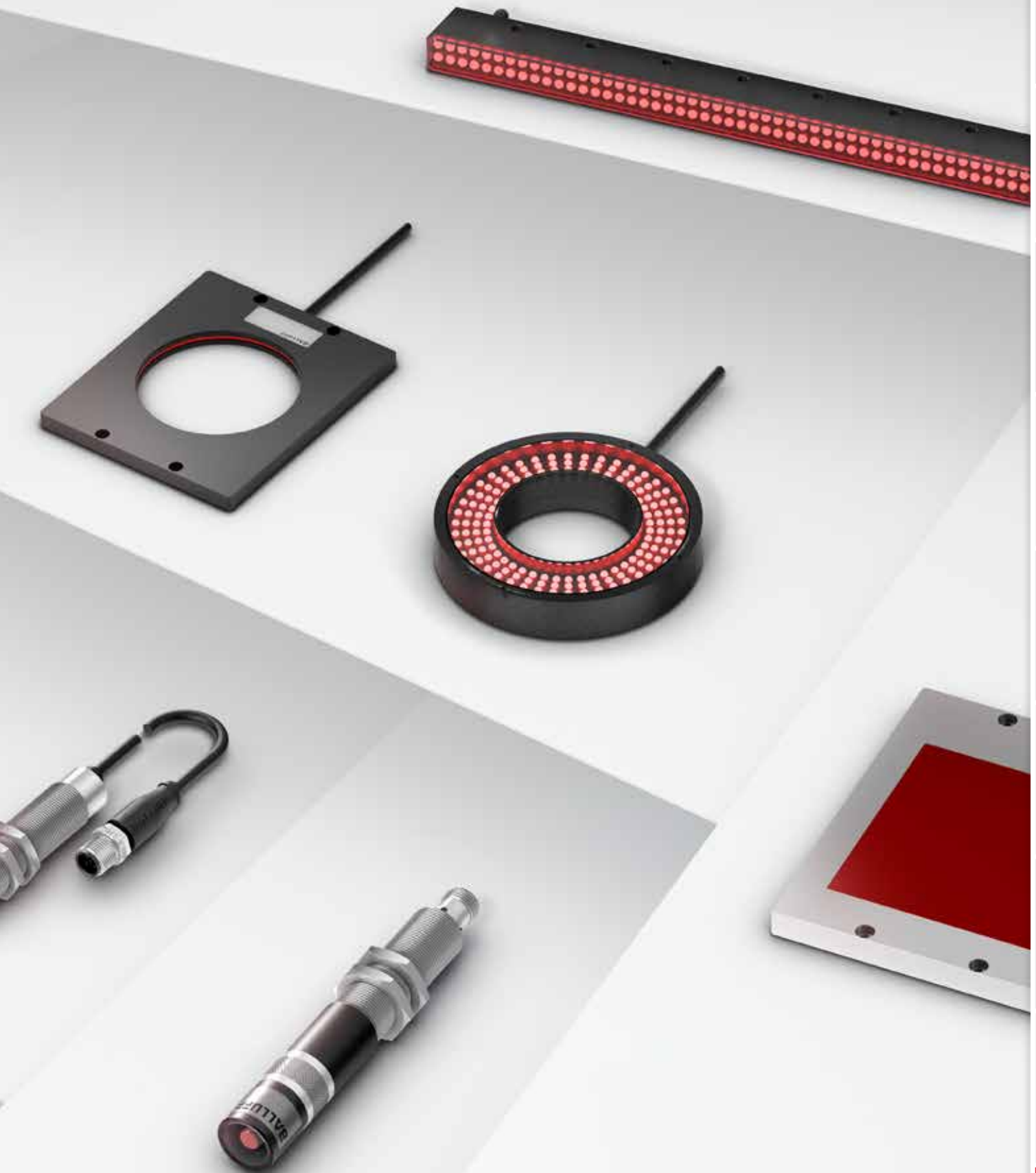
Balluff offers a wide range of rugged lights for your various installation spaces and tasks: for optimal lighting conditions in image processing and for machine lighting.

The energy-saving and long-lasting LED technology impresses with its homogeneous optical properties. Moreover, Balluff lighting options guarantee eye safety in accordance with IEC 62471. You can select between red light, white light, infrared light or laser variants.

The most important benefits

- Highest quality (extensive EMC tests, high protection class)
- Easy and fast assembly
- Simple startup
- Rugged, long service life





Sensors

RFID

Machine Vision and
Optical Identification

Human Machine Inter-
faces

Safety

Industrial Networking

Software and
System Solutions

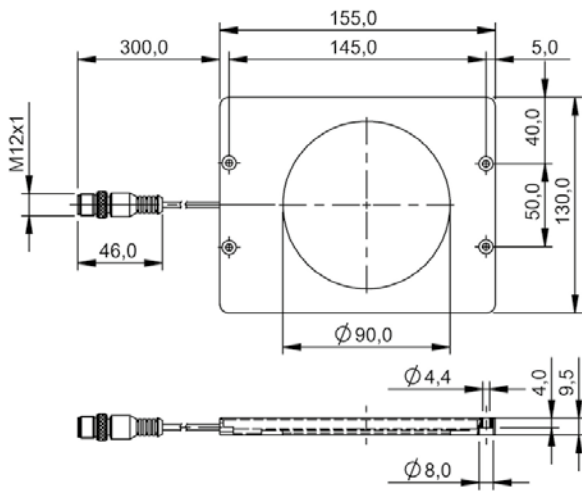
Power Supply

Connectivity

Accessories



	BAE00AM BAE LX-VS-DR090
Connection	Cable with connector, M12x1 connector, 4-pin, 0.30 m
Version	Dark field light
Dimension	130 x 9.5 x 155 mm
Rated operating voltage Ue DC	24 V
Current draw max.	416 mA
Operating mode	Normal
Material	Aluminum anodized, black PMMA
Illumination area	Ø 90 mm
Light type	LED, red light
Wave length	617 nm
Illuminance (0.1 m)	2250 Lux
Ambient temperature	-10...55 °C
Approval/Conformity	CE, EAC
Protection degree	IP40



BAE00AM

Sensors

RFID

Machine Vision and
Optical Identification

Human Machine
Interfaces

Safety

Industrial Networking

Software and
System Solutions

Power Supply

Connectivity

Accessories



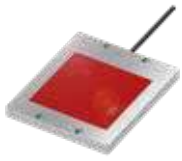
	BAE00KR BAE LX-VS-HI050	BAE00FR BAE LX-VS-HI100	
Connection	Cable with connector, M12x1 connector, 4-pin, 0.30 m	Cable with connector, M12x1 connector, 4-pin, 0.30 m	
Version	Background light	Background light	
Dimension	80 x 9.5 x 105 mm	130 x 12 x 155 mm	
Rated operating voltage Ue DC	24 V	24 V	
Current draw max.	375 mA	500 mA	
Operating mode	Normal	Normal	
Digital inputs	Trigger	Trigger	
Material	Aluminum anodized, black Glass PMMA	Aluminum anodized, black Glass PMMA	
Illumination area	50 x 50 mm	100 x 100 mm	
Light type	LED infrared	LED infrared	
Wave length	875 nm	875 nm	
Illuminance (0.1 m)	—	—	
Beam angle	35 ° x 35 °	55° x 55°	
Ambient temperature	-10...55 °C	-10...55 °C	
Approval/Conformity	CE, EAC	CE, EAC	
Protection degree	IP54	IP54	
Productview	Page 568	Page 568	



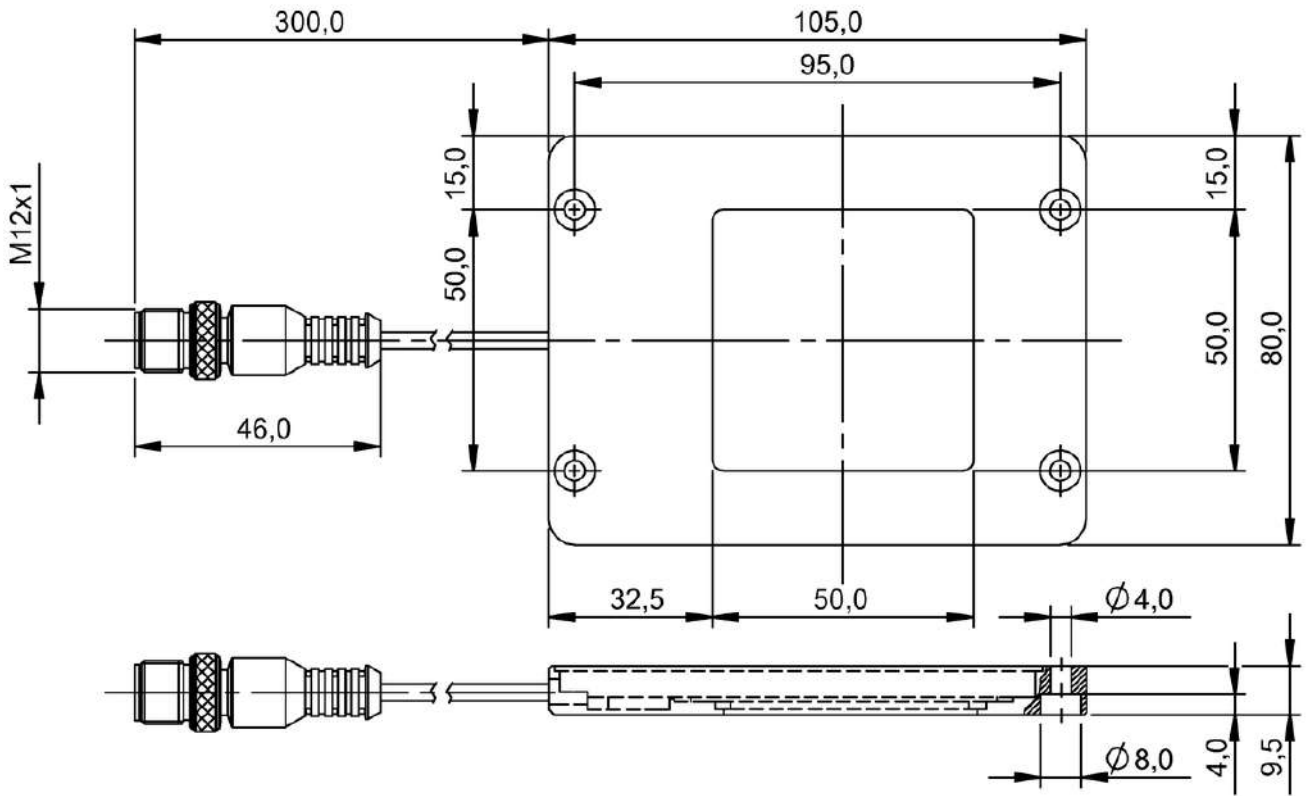
	BAE00KP BAE LX-VS-HI150	BAE00JE BAE LX-VS-HI200	BAE00WM BAE LX-VS-HI300	BAE000E BAE LX-VS-HR025
	Cable with connector, M12x1 connector, 4-pin, 0.30 m	Cable with connector, M12x1 connector, 4-pin, 0.30 m	Cable with connector, M12x1 connector, 4-pin, 0.30 m	Cable with connector, M12x1 connector, 4-pin, 0.30 m
	Background light	Background light	Background light	Background light
	130 x 9.5 x 205 mm	180 x 9.5 x 255 mm	255 x 9.5 x 330 mm	43 x 9.5 x 64.5 mm
	24 V	24 V	24 V	24 V
	830 mA	708 mA	1500 mA	208 mA
	Normal	Normal	Normal	Normal
	Trigger	Trigger	Trigger	—
	Aluminum anodized, black Glass PMMA	Aluminum anodized, black Glass PMMA	Aluminum anodized, black Glass PMMA	Aluminum anodized, black Glass PMMA
	150 x 100 mm	200 x 150 mm	300 x 200 mm	25 x 25 mm
	LED infrared	LED infrared	LED infrared	LED, red light
	875 nm	875 nm	875 nm	617 nm
	—	—	—	350 Lux
	80 ° x 60 °	100 ° x 80 °	—	40 ° x 40 °
	-10...55 °C	-10...55 °C	-10...55 °C	-10...55 °C
	CE, EAC	CE, EAC	CE, EAC	CE, EAC
	IP54	IP54	IP54	IP54
	Page 569	Page 569	Page 570	Page 570



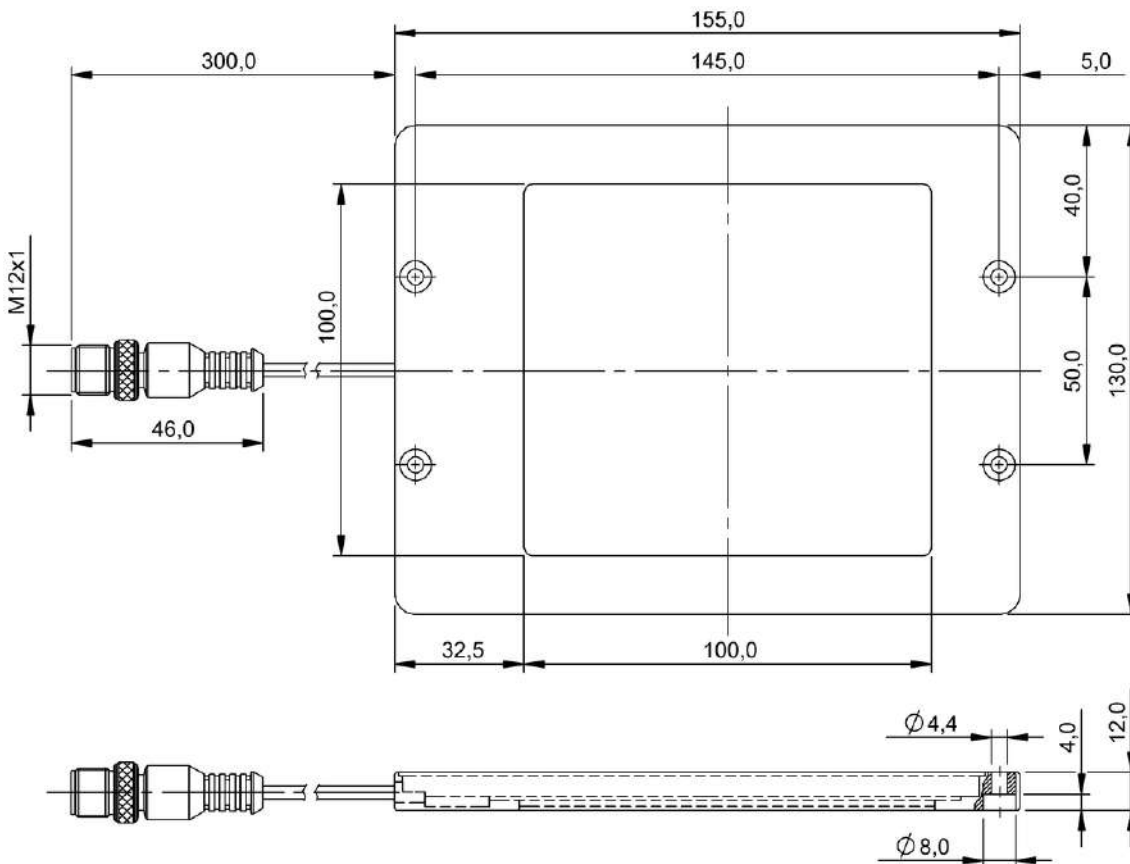
	BAE000F BAE LX-VS-HR050	BAE000H BAE LX-VS-HR100	
Connection	Cable with connector, M12x1 connector, 4-pin, 0.30 m	Cable with connector, M12x1 connector, 4-pin, 0.30 m	
Version	Background light	Background light	
Dimension	80 x 9.5 x 105 mm	130 x 12 x 155 mm	
Rated operating voltage Ue DC	24 V	24 V	
Current draw max.	250 mA	416 mA	
Operating mode	Normal	Normal	
Digital inputs	Trigger	Trigger	
Material	Aluminum anodized, black Glass PMMA	Aluminum anodized, black Glass PMMA	
Illumination area	50 x 50 mm	100 x 100 mm	
Light type	LED, red light	LED, red light	
Wave length	617 nm	617 nm	
Illuminance (0.1 m)	1250 Lux	3700 Lux	
Beam angle	42 ° x 42 °	55° x 55°	
Ambient temperature	-10...55 °C	-10...55 °C	
Approval/Conformity	CE, EAC	CE, EAC	
Protection degree	IP54	IP54	
Productview	Page 568	Page 568	



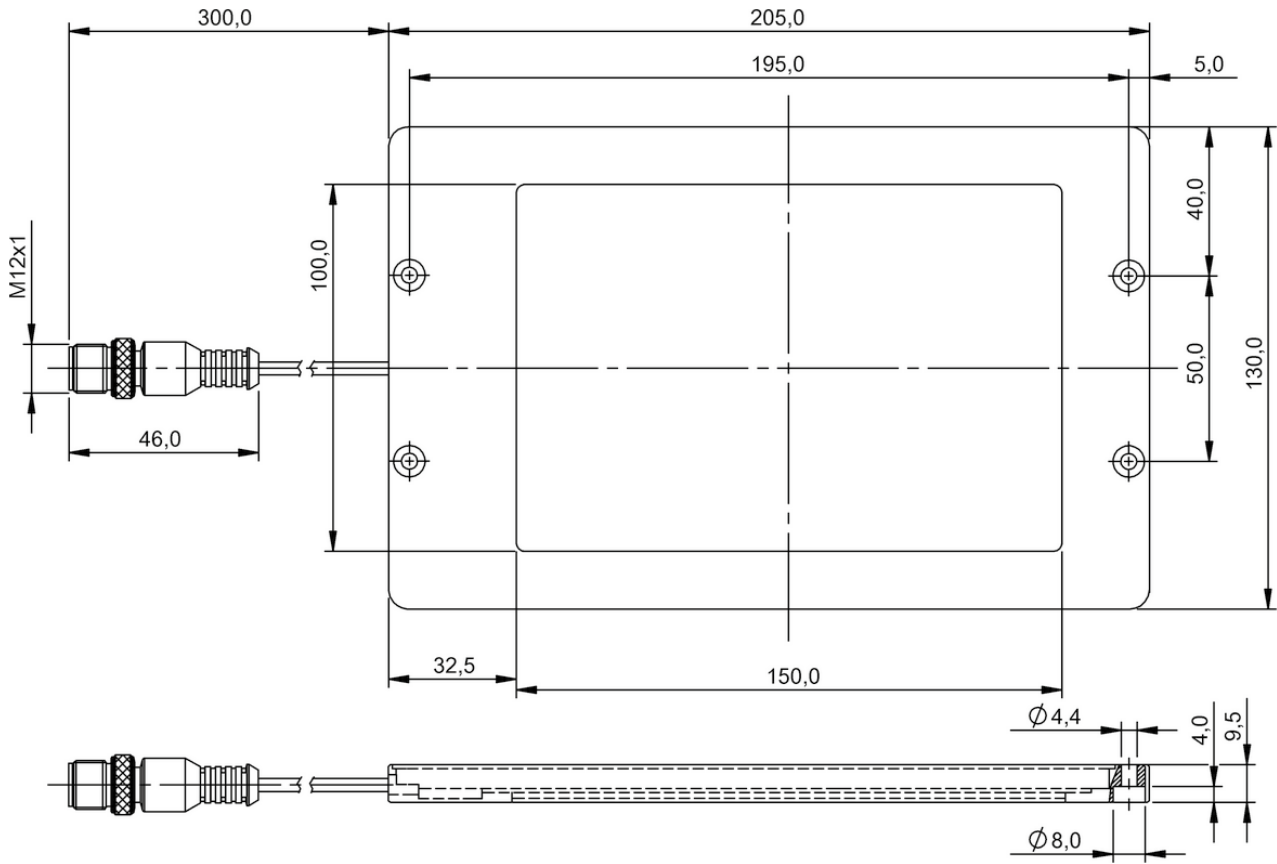
	BAE00JF BAE LX-VS-HR100-E	BAE00C5 BAE LX-VS-HR150	BAE00JC BAE LX-VS-HR200	BAE00MU BAE LX-VS-HR300
	Cable with connector, M12x1 connector, 4-pin	Cable with connector, M12x1 connector, 4-pin, 0.30 m	Cable with connector, M12x1 connector, 4-pin, 0.30 m	Cable with connector, M12x1 connector, 4-pin, 0.30 m
	Background light	Background light	Background light	Background light
	130 x 12 x 155 mm	130 x 9.5 x 205 mm	180 x 9.5 x 255 mm	255 x 9.5 x 330 mm
	24 V	24 V	24 V	24 V
	416 mA	500 mA	625 mA	1000 mA
	Normal	Normal	Normal	Normal
	Trigger	Trigger	Trigger	Trigger
	Stainless steel (1.4301) Glass PMMA	Aluminum anodized, black Glass PMMA	Aluminum anodized, black Glass PMMA	Aluminum anodized, black Glass PMMA
	100 x 100 mm	150 x 100 mm	200 x 150 mm	300 x 200 mm
	LED, red light	LED, red light	LED, red light	LED, red light
	617 nm	617 nm	617 nm	617 nm
	3700 Lux	4800 Lux	5100 Lux	4750 Lux
	55° x 55°	80° x 60°	100° x 80°	—
	-10...55 °C	-10...55 °C	-10...55 °C	-10...55 °C
	CE, EAC	CE, EAC	CE, EAC	CE, EAC
	IP69K	IP54	IP54	IP54
	Page 568	Page 569	Page 569	Page 570



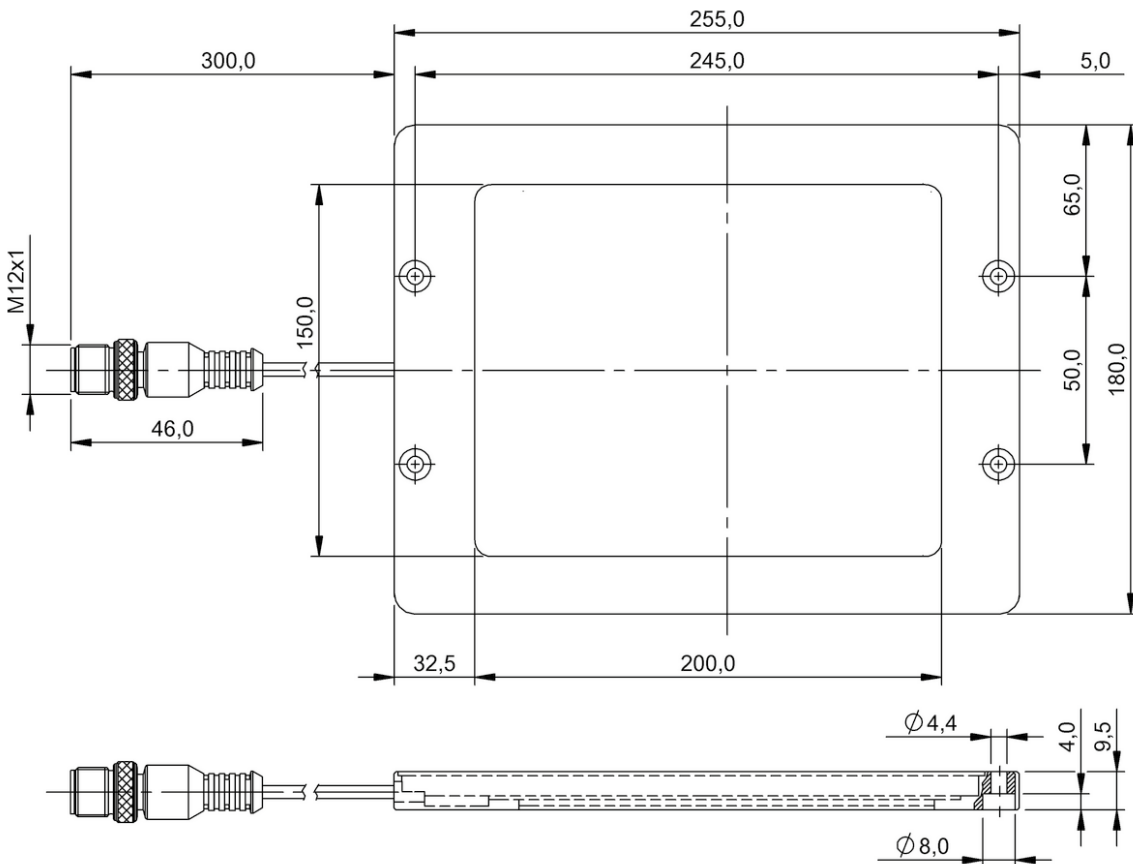
BAE00KR, BAE000F



BAE00FR, BAE000H, BAE00JF



BAE00KP, BAE00C5



BAE00JE, BAE00JC

Sensors

RFID

Machine Vision and
Optical Identification

Human Machine
Interfaces

Safety

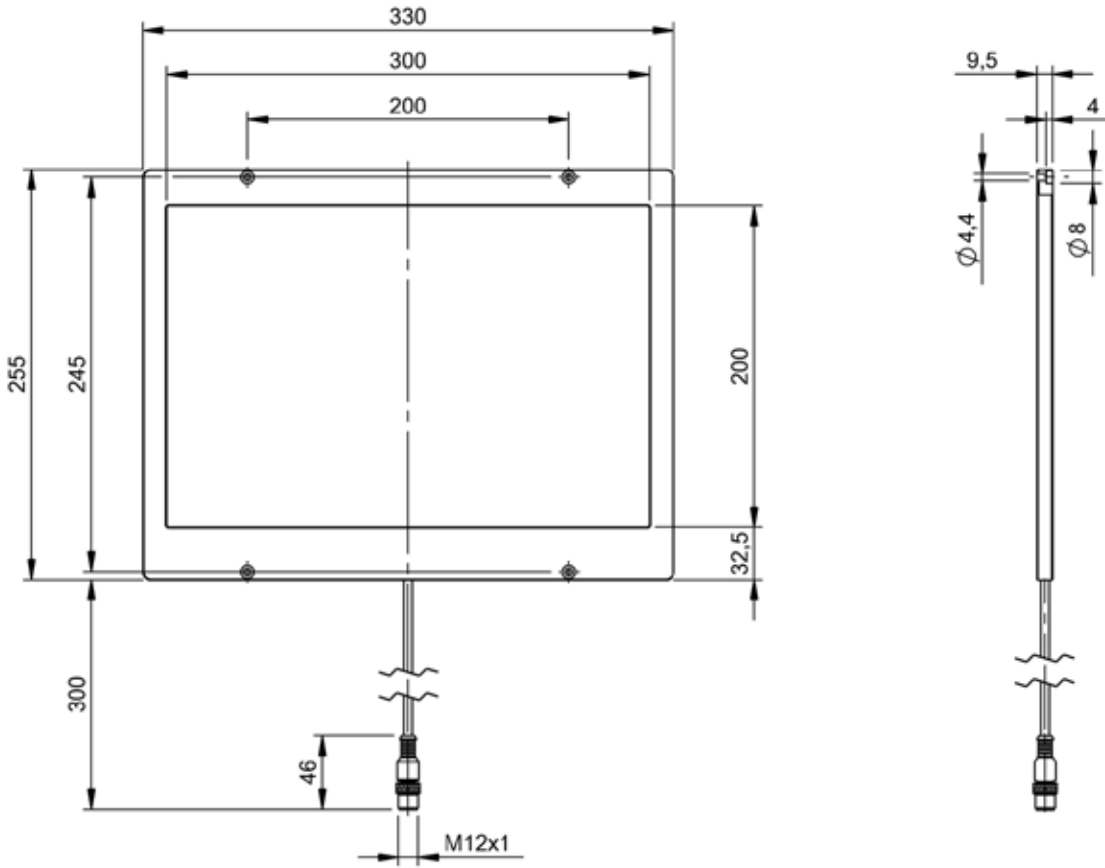
Industrial Networking

Software and
System Solutions

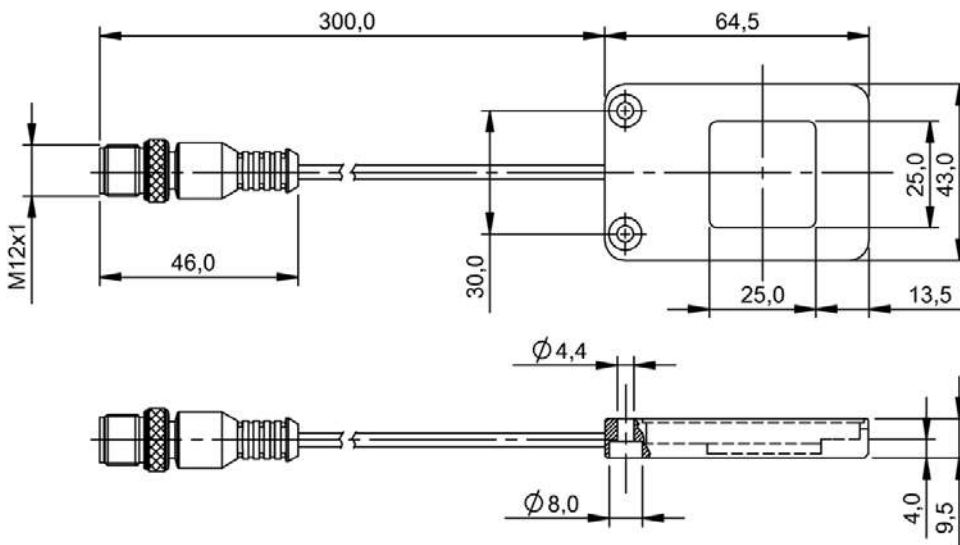
Power Supply

Connectivity

Accessories



BAE00WM, BAE00MU



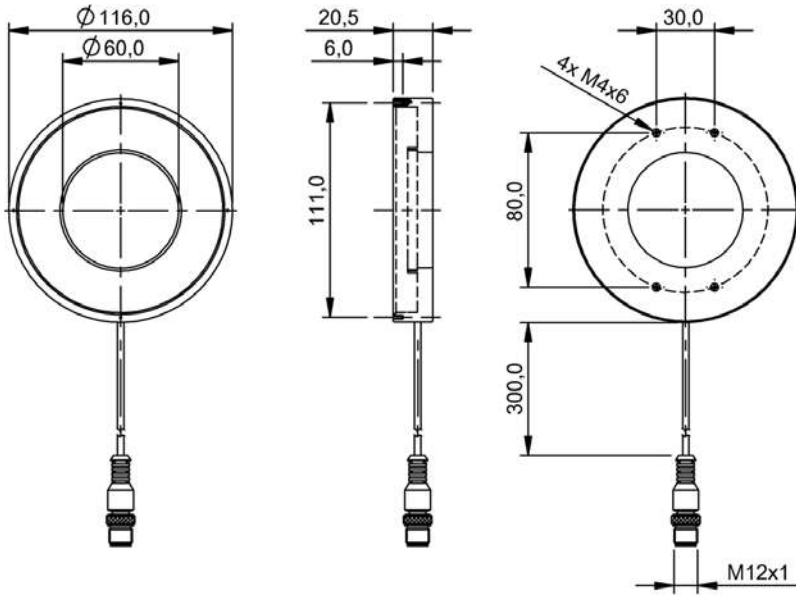
BAE000E



	BAE000K BAE LX-VS-RH100	
Connection	Cable with connector, M12x1 connector, 4-pin, 0.30 m	
Version	Ring light	
Dimension	Ø 116 x 20.5 mm	
Rated operating voltage Ue DC	24 V	
Current draw max.	750 mA, 1370 mA (Boost mode)	
Operating mode	Normal, Boost	
Material	Aluminum anodized, black Glass	
Illumination area	Ø 100 mm/Ø 60 mm	
Light type	LED infrared	
Wave length	875 nm	
Illuminance (0.1 m)	—	
Beam angle	30 °	
Ambient temperature	-10...55 °C	
Approval/Conformity	CE, EAC	
Protection degree	IP54	
Productview	Page 574	



	BAE000J BAE LX-VS-RR100	BAE000AN BAE LX-VS-RW100
	Cable with connector, M12x1 connector, 4-pin, 0.30 m	Cable with connector, M12x1 connector, 4-pin, 0.30 m
	Ring light	Ring light
	Ø 116 x 20.5 mm	Ø 116 x 20.5 mm
	24 V	24 V
	830 mA, 1370 mA (Boost mode)	410 mA, 830 mA (Boost mode)
	Normal, Boost	Normal, Boost
	Aluminum anodized, black Glass	Aluminum anodized, black Glass
	Ø 100 mm/Ø 60 mm	Ø 100 mm/Ø 60 mm
	LED, red light	LED white light
	617 nm	—
	19000 Lux 32500 Lux (Boost mode)	8500 Lux 16100 Lux (Boost mode)
	30 °	30 °
	-10...55 °C	-10...55 °C
	CE, EAC	CE, EAC
	IP54	IP54
	Page 574	Page 574



BAE000K, BAE000J, BAE000AN



	BAE00NU BAE LX-VS-LI100-S26	BAE00NZ BAE LX-VS-LI200-S26	
Connection	Connector, M5x0.5 plug, 4-pin, 0.30 m	Connector, M5x0.5 plug, 4-pin, 0.30 m	
Version	Strip light	Strip light	
Dimension	13 x 100 x 18 mm	13 x 200 x 18 mm	
Rated operating voltage Ue DC	24 V	24 V	
Current draw max.	170 mA, 375 mA (Boost mode)	290 mA, 710 mA (Boost mode)	
Operating mode	Normal, Boost	Normal, Boost	
Digital inputs	Trigger	Trigger	
Material	Aluminum anodized, black Glass	Aluminum anodized, black Glass	
Illumination area	95 x 10 mm	195 x 10 mm	
Light type	LED infrared	LED infrared	
Wave length	875 nm	875 nm	
Illuminance (0.1 m)	—	—	
Color temperature	—	—	
Beam angle	75 ° x 30 °	115 ° x 35 °	
Ambient temperature	-10...55 °C	-10...55 °C	
Approval/Conformity	CE, EAC	CE, EAC	
Protection degree	IP54	IP54	
Productview	Page 578	Page 578	



	BAE00NT BAE LX-VS-LR100-S26	BAE00NY BAE LX-VS-LR200-S26	BAE00NW BAE LX-VS-LW100-S26	BAE00PO BAE LX-VS-LW200-S26
	Connector, M5x0.5 plug, 4-pin, 0.30 m	Connector, M5x0.5 plug, 4-pin, 0.30 m	Connector, M5x0.5 plug, 4-pin, 0.30 m	Connector, M5x0.5 plug, 4-pin, 0.30 m
	Strip light	Strip light	Strip light	Strip light
	13 x 100 x 18 mm	13 x 200 x 18 mm	13 x 100 x 18 mm	13 x 200 x 18 mm
	24 V	24 V	24 V	24 V
	170 mA, 375 mA (Boost mode)	290 mA, 710 mA (Boost mode)	125 mA, 250 mA (Boost mode)	170 mA, 450 mA (Boost mode)
	Normal, Boost	Normal, Boost	Normal, Boost	Normal, Boost
	Trigger	Trigger	Trigger	Trigger
	Aluminum anodized, black Glass	Aluminum anodized, black Glass	Aluminum anodized, black Glass	Aluminum anodized, black Glass
	95 x 10 mm	195 x 10 mm	95 x 10 mm	195 x 10 mm
	LED, red light	LED, red light	LED white light	LED white light
	617 nm	617 nm	—	—
	6400 Lux 13500 Lux (Boost mode)	7150 Lux 15100 Lux (Boost mode)	2800 Lux 6200 Lux (Boost mode)	3000 Lux 7850 Lux (Boost mode)
	—	—	5600 K	5600 K
	75 ° x 30 °	115 ° x 35 °	80 ° x 35 °	120 ° x 40 °
	-10...55 °C	-10...55 °C	-10...55 °C	-10...55 °C
	CE, EAC	CE, EAC	CE, EAC	CE, EAC
	IP54	IP54	IP54	IP54
	Page 578	Page 578	Page 578	Page 578

Sensors

RFID

Machine Vision and
Optical Identification

Human Machine
Interfaces

Safety

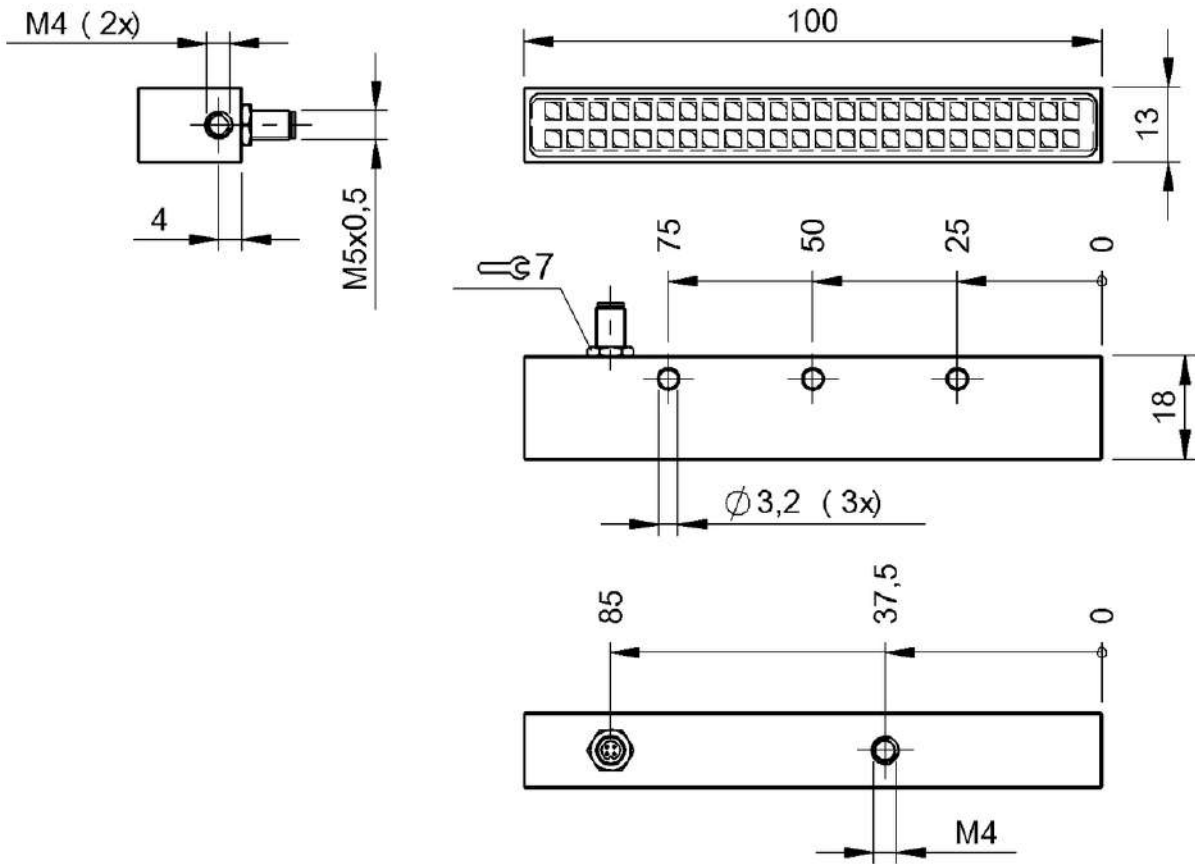
Industrial Networking

Software and
System Solutions

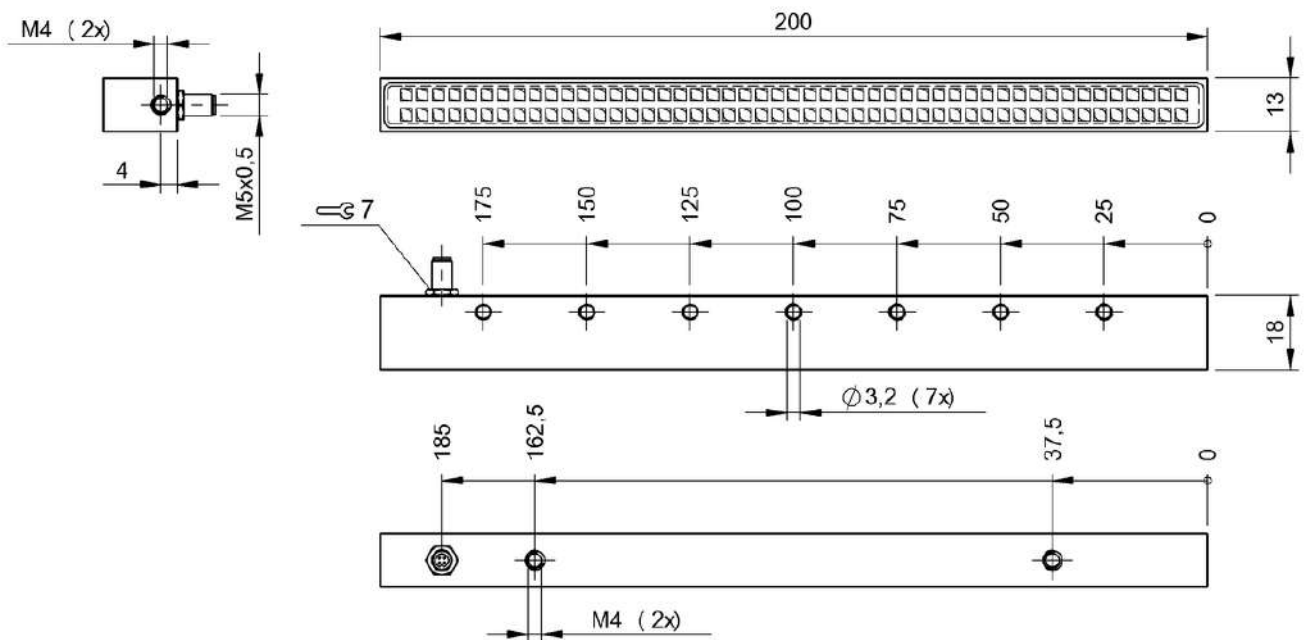
Power Supply

Connectivity

Accessories



BAE00NU, BAE00NT, BAE00NW

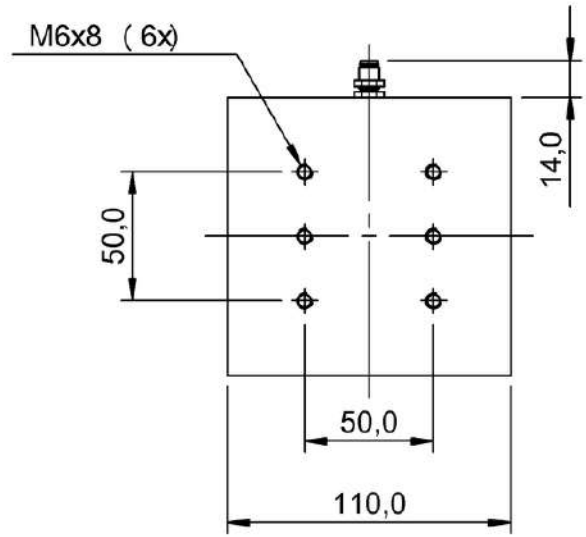
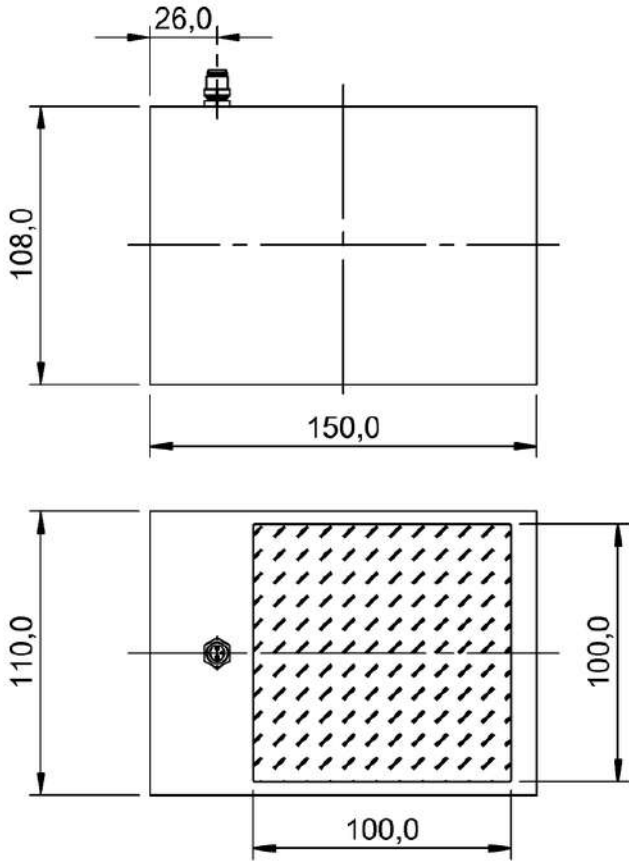


BAE00NZ, BAE00NY, BAE00PO

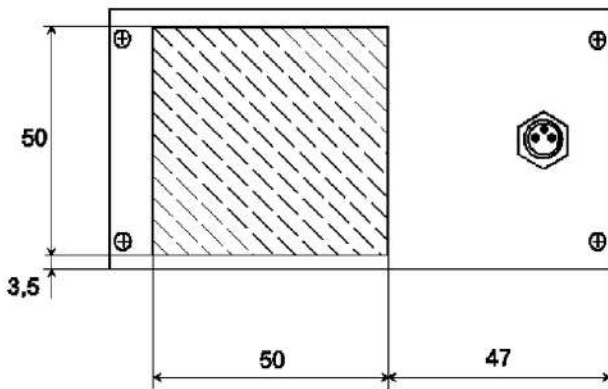
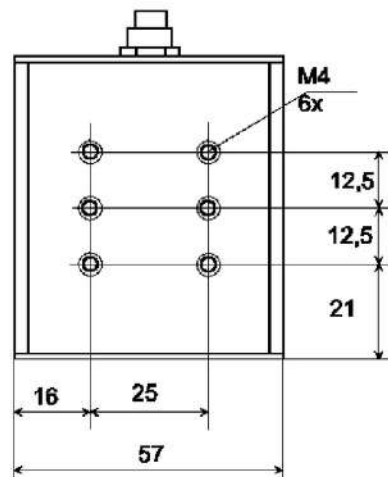
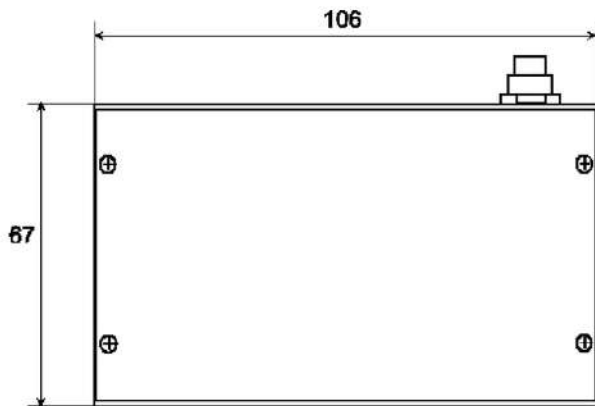
Connection	
Version	
Dimension	
Rated operating voltage Ue DC	
Current draw max.	
Operating mode	
Material	
Illumination area	
Light type	
Wave length	
Illuminance (0.1 m)	
Beam angle	
Ambient temperature	
Approval/Conformity	
Protection degree	
Productview	



	BAE00JA BAE LX-VS-OR100	BAE00J9 BAE LX-VS-OR50
	Connector, M8x1 connector, 3-pin	Connector, M8x1 connector, 3-pin
	Coax lighting	Coax lighting
	150 x 110 x 108 mm	106 x 57 x 67 mm
	24 V	24 V
	625 mA	250 mA
	Normal	Normal
	Aluminum anodized, black Glass	Aluminum anodized, black Glass
	100 x 100 mm	50 x 50 mm
	LED, red light	LED, red light
	630 nm	630 nm
	3550 Lux	1150 Lux
	105 ° x 105 °	30 ° x 30 °
	-10...55 °C	-10...55 °C
	CE, EAC	CE, EAC
	IP54	IP54
	Page 582	Page 582



BAE00JA



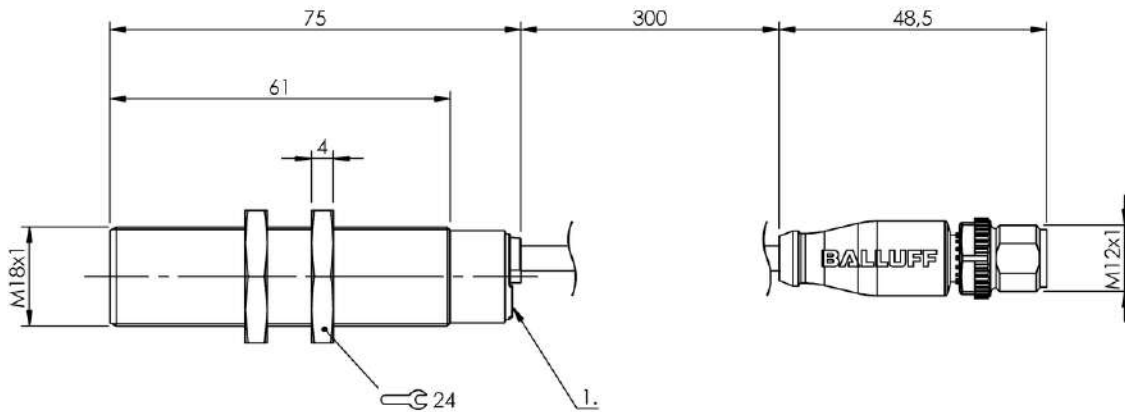
BAE00J9



	BAE00H1 BAE LX-VS-SI018	BAE011K BAE LX-VS-SI030A	
Connection	Cable with connector, M12x1-Male, 4-pin, 0.30 m	Cable with connector, M12x1-Male, 4-pin, 0.3 m	
Version	Spotlight	Spotlight	
Dimension	Ø 18 x 75 mm	Ø 30 x 67.5 mm	
Rated operating voltage Ue DC	24 V	24 V	
Current draw max.	83 mA	300 mA	
Operating mode	Normal	Normal, Boost	
Digital inputs	Trigger	Trigger	
Material	Stainless steel (1.4301) Brass Glass	Stainless steel (1.4301) Brass PC	
Illumination area	Ø 15.4 mm	Ø 25 mm	
Light type	LED infrared	LED infrared	
Wave length	875 nm	850 nm	
Illuminance (0.1 m)	—	—	
Beam angle	—	10 °	
Ambient temperature	-25...75 °C	-10...50 °C	
Approval/Conformity	CE, EAC, WEEE	CE, EAC, WEEE	
IP rating	IP67	IP67	
Productview	Page 586	Page 586	

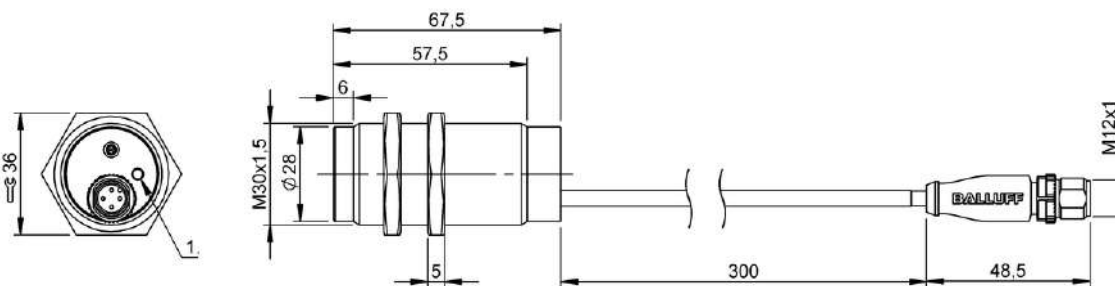


	BAE00KF BAE LX-VS-SR012	BAE00HO BAE LX-VS-SR018	BAE011L BAE LX-VS-SR030A	BAE011M BAE LX-VS-SW030A
	Cable with connector, M12x1-Male, 4-pin, 0.30 m	Cable with connector, M12x1-Male, 4-pin, 0.30 m	Cable with connector, M12x1-Male, 4-pin, 0.3 m	Cable with connector, M12x1-Male, 4-pin, 0.3 m
	Spotlight	Spotlight	Spotlight	Spotlight
	Ø 12 x 41.5 mm	Ø 18 x 75 mm	Ø 30 x 67.5 mm	Ø 30 x 67.5 mm
	24 V	24 V	24 V	24 V
	83 mA	83 mA	300 mA	300 mA
	Normal	Normal	Normal, Boost	Normal, Boost
	Trigger	Trigger	Trigger	Trigger
	Stainless steel (1.4301) PC	Stainless steel (1.4301) Brass Glass	Stainless steel (1.4301) Brass PC	Stainless steel (1.4301) Brass PC
	Ø 9 mm	Ø 15.4 mm	Ø 25 mm	Ø 25 mm
	LED, red light	LED, red light	LED, red light	LED white light
	617 nm	617 nm	625 nm	—
	600 Lux	10500 Lux	1100 Lux 190000 Lux (Boost mode)	1200 Lux 200000 Lux (Boost mode)
	20 °	15 °	10 °	10 °
	-10...50 °C	-10...50 °C	-10...50 °C	-10...50 °C
	CE, EAC, WEEE	CE, EAC, WEEE	CE, EAC, WEEE	CE, EAC, WEEE
	IP67	IP67	IP67	IP67
	Page 587	Page 586	Page 586	Page 586



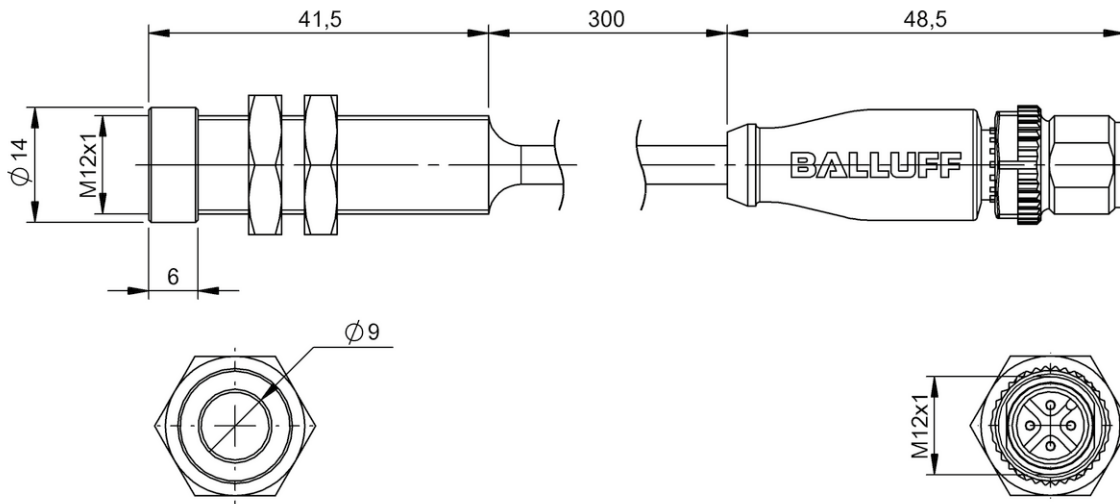
1) Power green

BAE00H1, BAE00H0



1) Power green

BAE011K, BAE011L, BAE011M



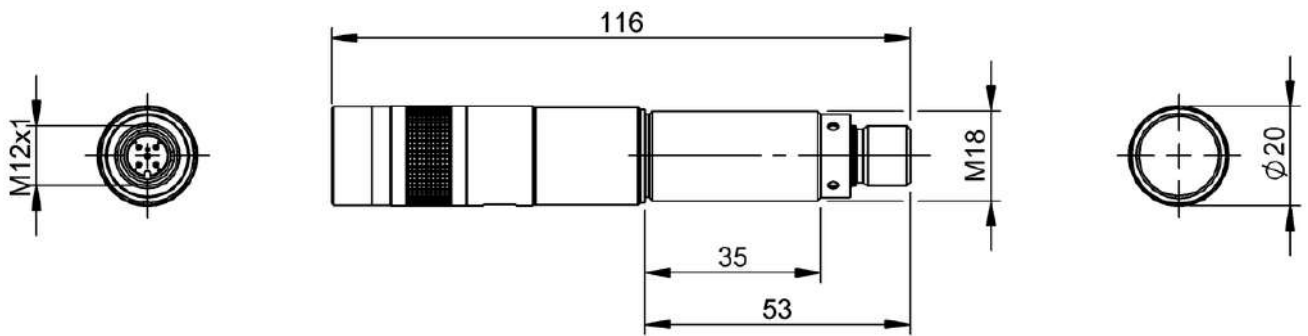
BAE00KF



	BAE010A BAE LX-X0-PL018-E-C1-S103	BAE0104 BAE LX-X0-PL018-E-L1-S103	
Connection	Connector, M12x1 connector, 5-pin	Connector, M12x1 connector, 5-pin	
Version	Laser modules	Laser modules	
Dimension	Ø 20 x 116 mm	Ø 20 x 116 mm	
Operating voltage U _b	5...30 VDC	5...30 VDC	
Digital inputs	Trigger	Trigger	
Material	Stainless steel Glass Nickel-plated brass nuts	Stainless steel Glass Nickel-plated brass nuts	
Projection type	Cross	Line, homogeneous	
Opening angle min.	30° x 30°	45°	
Light type	Laser red light	Laser red light	
Wave length	635 nm	640 nm	
Laser class per IEC 60825-1	1M	2M	
Ambient temperature	-10...50 °C	-10...50 °C	
Approval/Conformity	CE, EAC	CE, EAC	
Protection degree	IP67	IP67	
Productview	Page 590	Page 590	



	BAE0106 BAE LX-X0-PL018-E-L3-S103	BAE0107 BAE LX-X0-PL018-E-L7-S103	BAE0108 BAE LX-X0-PL018-E-L8-S103	BAE0109 BAE LX-X0-PL018-E-P1-S103
	Connector, M12x1 connector, 5-pin	Connector, M12x1 connector, 5-pin	Connector, M12x1 connector, 5-pin	Connector, M12x1 connector, 5-pin
	Laser modules	Laser modules	Laser modules	Laser modules
	Ø 20 x 116 mm	Ø 20 x 116 mm	Ø 20 x 116 mm	Ø 20 x 116 mm
	5...30 VDC	9...30 VDC	9...30 VDC	5...30 VDC
	Trigger	Trigger	Trigger	Trigger
	Stainless steel Glass Nickel-plated brass nuts	Stainless steel Glass Nickel-plated brass nuts	Stainless steel Glass Nickel-plated brass nuts	Stainless steel Glass Nickel-plated brass nuts
	Line, homogeneous	Line, homogeneous	Line, homogeneous	Point, elliptical
	20°	45°	45°	—
	Laser red light	Laser, blue light	Laser green light	Laser red light
	640 nm	450 nm	520 nm	635 nm
	2M	2M	2M	2
	-10...50 °C	-10...50 °C	-10...50 °C	-10...50 °C
	CE, EAC	CE, EAC	CE, EAC	CE, EAC
	IP67	IP67	IP67	IP67
	Page 590	Page 590	Page 590	Page 590



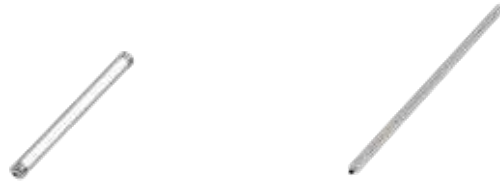
BAE010A, BAE0104, BAE0106, BAE0107, BAE0108, BAE0109



	BAE00W8 BAE LX-XA-BW0170-S4	BAE011E BAE LX-XA-BW0170A-S4	
Connection	Connector, M12x1-Male	Connector, M12x1-Male, 4-pin	
Version	Machine light	Machine light	
Dimension	Ø 20 x 250 mm	Ø 45 x 210 mm	
Rated operating voltage Ue DC	24 V	24 V	
Housing material primary	Aluminum	Aluminum	
Housing material secondary	PMMA	Borosilicate crown glass	
Illumination area	170 x 14 mm	170 x 42 mm	
Beam angle	120 °	120 °	
Light type	LED white light	LED white light diffuse	
Light intensity	410 lm	900 lm	
Color temperature	4000 K	5000 K	
Ambient temperature	-25...60 °C	-20...40 °C	
Approval/Conformity	CE, EAC, cULus, WEEE	CE, EAC, UL Listed, WEEE	
IP rating	IP69K	IP67	
Productview	Page 596	Page 596	



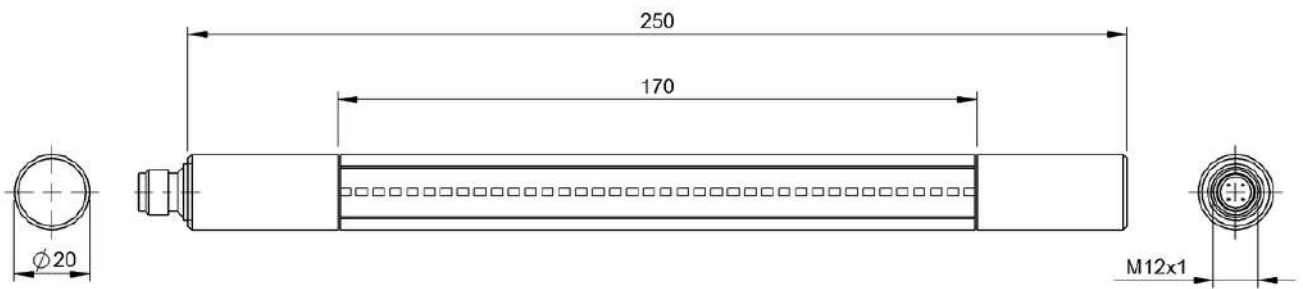
BAE00W9 BAE LX-XA-BW0278-S4	BAE00WA BAE LX-XA-BW0332-S4	BAE00ZM BAE LX-XA-BW0380A-S4	BAE00Y4 BAE LX-XA-BW0530-S4
Connector, M12x1-Male	Connector, M12x1-Male	Connector, M12x1-Male, 4-pin	Connector, M12x1-Male
Machine light	Machine light	Machine light	Machine light
Ø 20 x 358 mm	Ø 20 x 432 mm	Ø 45 x 420 mm	Ø 20 x 610 mm
24 V	24 V	24 V	24 V
Aluminum	Aluminum	Aluminum	Aluminum
PMMA	PMMA	Borosilicate crown glass	PMMA
278 x 14 mm	332 x 14 mm	380 x 42 mm	530 x 14 mm
120 °	120 °	120 °	120 °
LED white light	LED white light	LED white light diffuse	LED white light
654 lm	746 lm	1800 lm	1256 lm
4000 K	4000 K	5000 K	4000 K
-25...60 °C	-25...60 °C	-20...40 °C	-25...60 °C
CE, EAC, cULus, WEEE	CE, EAC, cULus, WEEE	CE, EAC, cULus, WEEE	CE, EAC, cULus, WEEE
IP69K	IP69K	IP67	IP69K
Page 597	Page 597	Page 598	Page 598



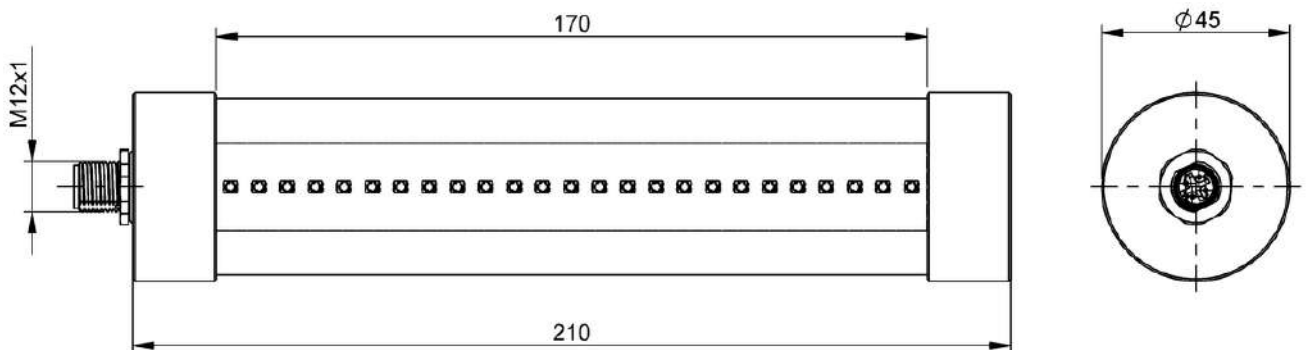
	BAE00ZN BAE LX-XA-BW0560A-S4	BAE00Y5 BAE LX-XA-BW0710-S4	
Connection	Connector, M12x1-Male, 4-pin	Connector, M12x1-Male	
Version	Machine light	Machine light	
Dimension	Ø 45 x 600 mm	Ø 20 x 790 mm	
Rated operating voltage Ue DC	24 V	24 V	
Housing material primary	Aluminum	Aluminum	
Housing material secondary	Borosilicate crown glass	PMMA	
Illumination area	560 x 42 mm	710 x 14 mm	
Beam angle	120 °	120 °	
Light type	LED white light diffuse	LED white light	
Light intensity	2700 lm	1661 lm	
Color temperature	5000 K	4000 K	
Ambient temperature	-20...40 °C	-25...60 °C	
Approval/Conformity	CE, EAC, cULus, WEEE	CE, EAC, cULus, WEEE	
IP rating	IP67	IP69K	
Productview	Page 599	Page 599	



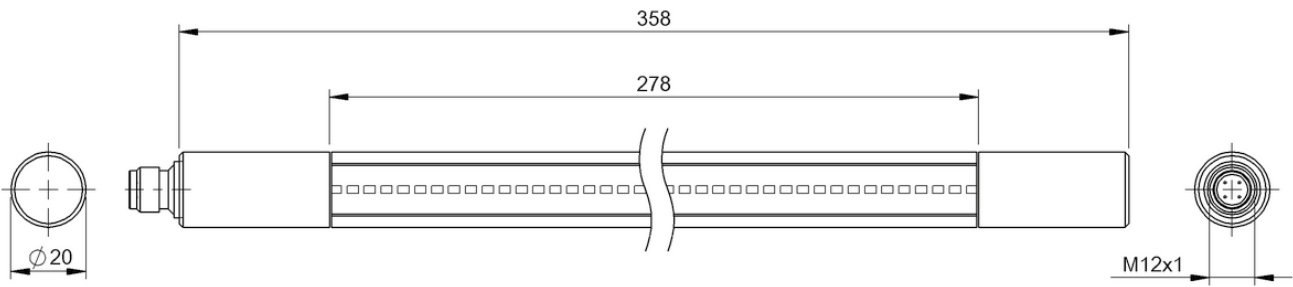
	BAE00ZP BAE LX-XA-BW0760A-S4	BAE00ZR BAE LX-XA-BW0960A-S4	BAE00Y6 BAE LX-XA-BW1016-S4	BAE00ZT BAE LX-XA-BW1160A-S4
	Connector, M12x1-Male, 4-pin	Connector, M12x1-Male, 4-pin	Connector, M12x1-Male	Connector, M12x1-Male, 4-pin
	Machine light	Machine light	Machine light	Machine light
	Ø 45 x 800 mm	Ø 45 x 1000 mm	Ø 20 x 1096 mm	Ø 45 x 1200 mm
	24 V	24 V	24 V	24 V
	Aluminum	Aluminum	Aluminum	Aluminum
	Borosilicate crown glass	Borosilicate crown glass	Borosilicate crown glass	Borosilicate crown glass
	760 x 42 mm	960 x 42 mm	1016 x 14 mm	1160 x 42 mm
	120 °	120 °	120 °	120 °
	LED white light diffuse	LED white light diffuse	LED white light	LED white light diffuse
	3600 lm	4500 lm	2268 lm	5400 lm
	5000 K	5000 K	4000 K	5000 K
	-20...40 °C	-20...40 °C	-25...60 °C	-20...40 °C
	CE, EAC, cULus, WEEE	CE, EAC, cULus, WEEE	CE, EAC, cULus, WEEE	CE, EAC, cULus, WEEE
	IP67	IP67	IP69K	IP67
	Page 600	Page 600	Page 601	Page 601



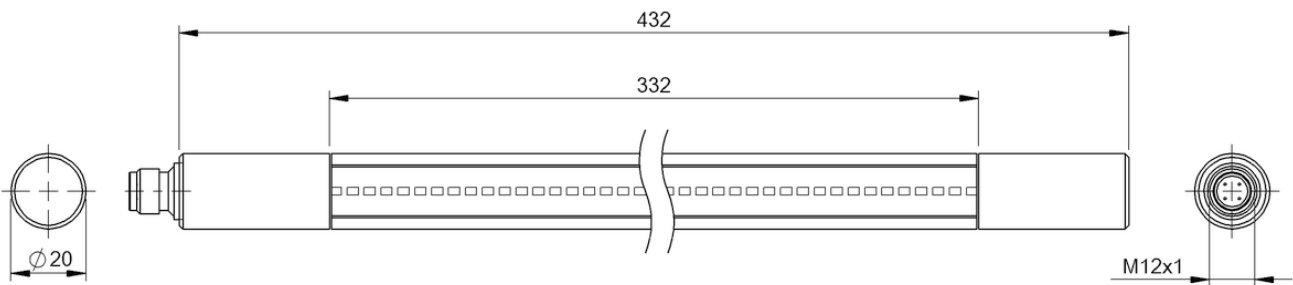
BAE00W8



BAE011E



BAE00W9



BAE00WA

Sensors

RFID

Machine Vision and
Optical Identification

Human Machine
Interfaces

Safety

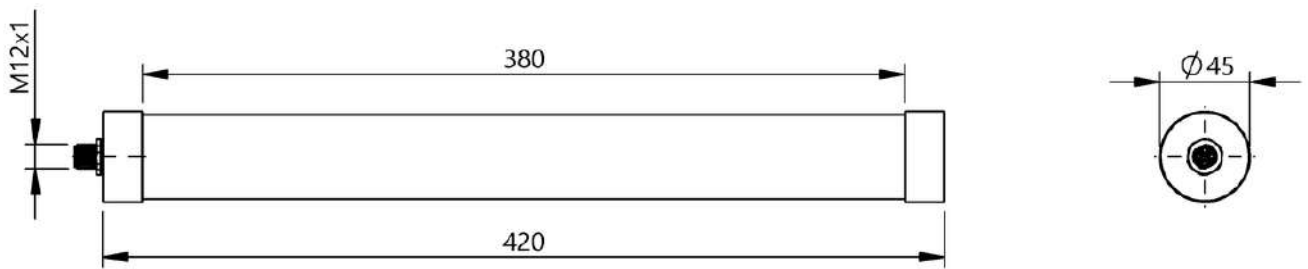
Industrial Networking

Software and
System Solutions

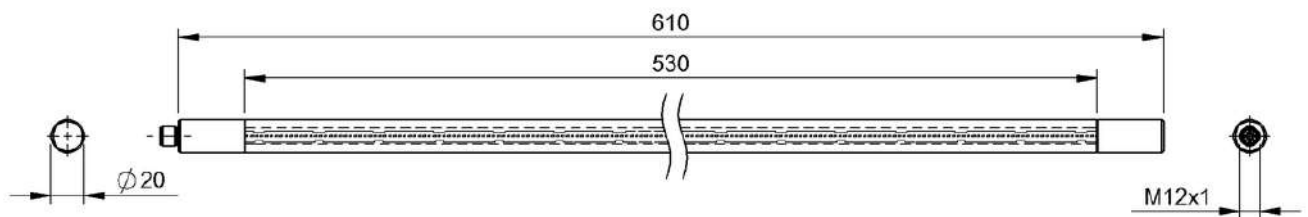
Power Supply

Connectivity

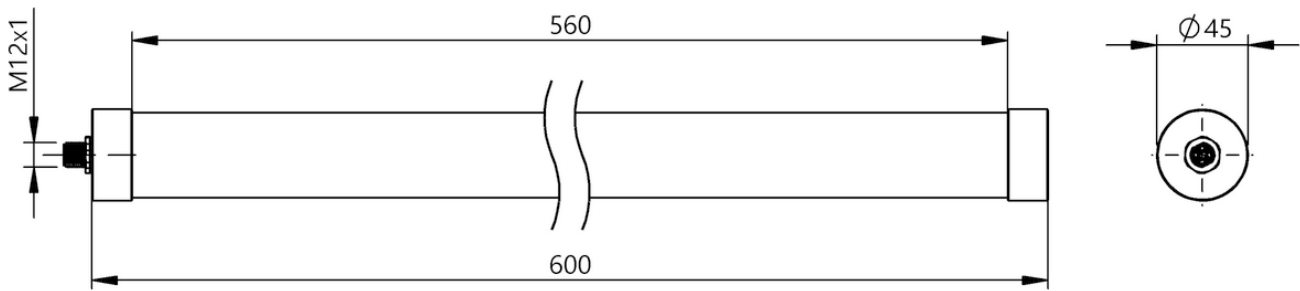
Accessories



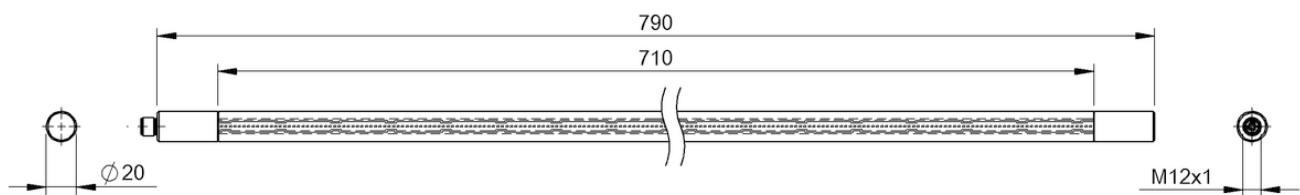
BAE00ZM



BAE00Y4



BAE00ZN



BAE00Y5

Sensors

RFID

Machine Vision and
Optical Identification

Human Machine
Interfaces

Safety

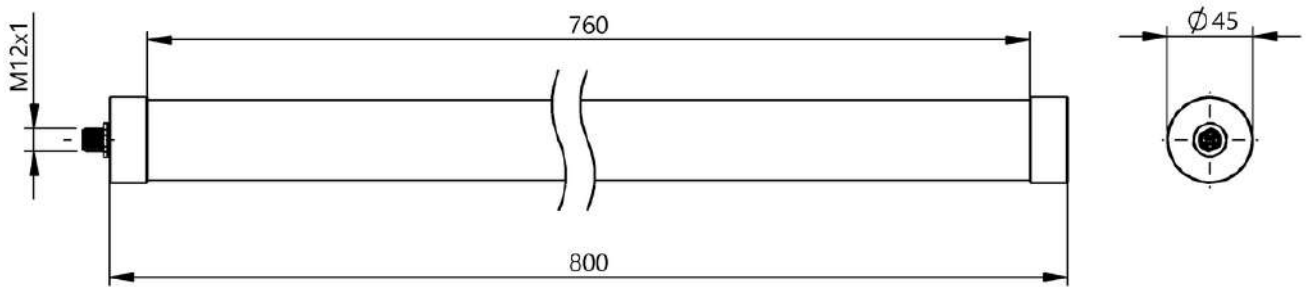
Industrial Networking

Software and
System Solutions

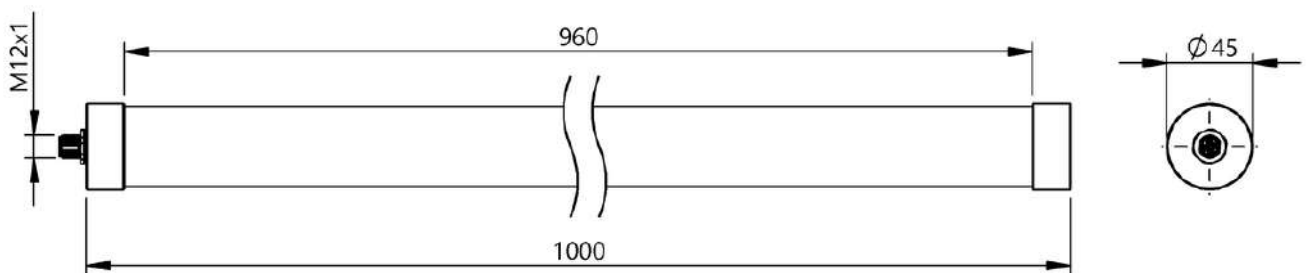
Power Supply

Connectivity

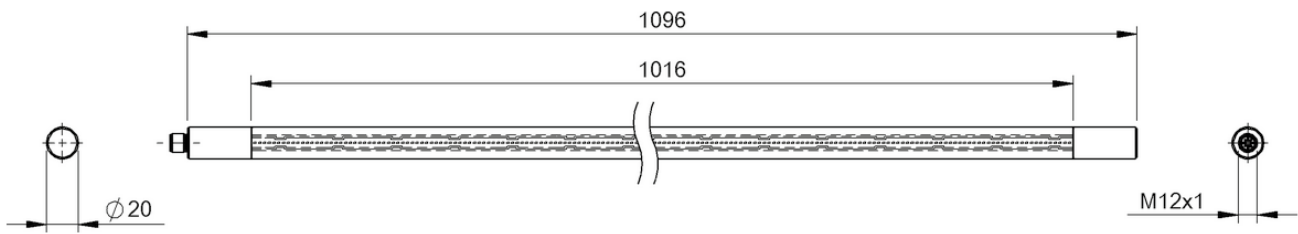
Accessories



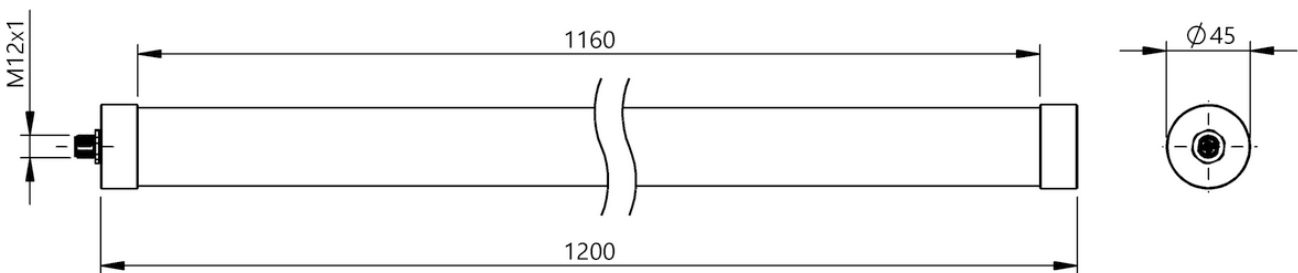
BAE00ZP



BAE00ZR



BAE00Y6



BAE00ZT

Sensors

RFID

Machine Vision and
Optical Identification

Human Machine
Interfaces

Safety

Industrial Networking

Software and
System Solutions

Power Supply

Connectivity

Accessories



Efficiently transport signals with signal converters

SIGNAL CONVERTERS AND COMMUNICATION ADAPTERS



Our signal converters store an incoming signal in a specific format and output it in a different format.

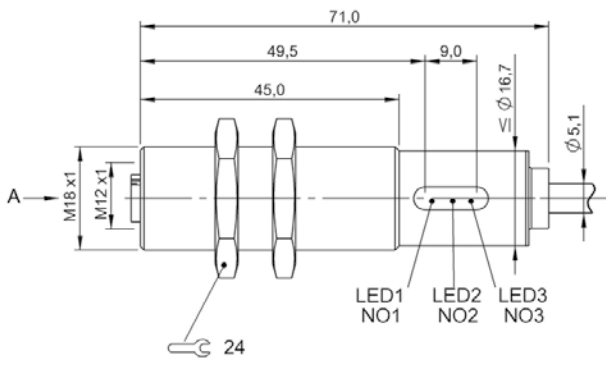
Frequently, such modules are used in the conversion of analog signals into digital signals or vice versa. Likewise, you can convert different communication protocols using signal converters.

The most important benefits

- Easy installation
- Installation in the control cabinet or directly on the sensor
- Adaptation of the output signal to the application
- Mixing of different signals on an assembly possible
- Cost reduction potential



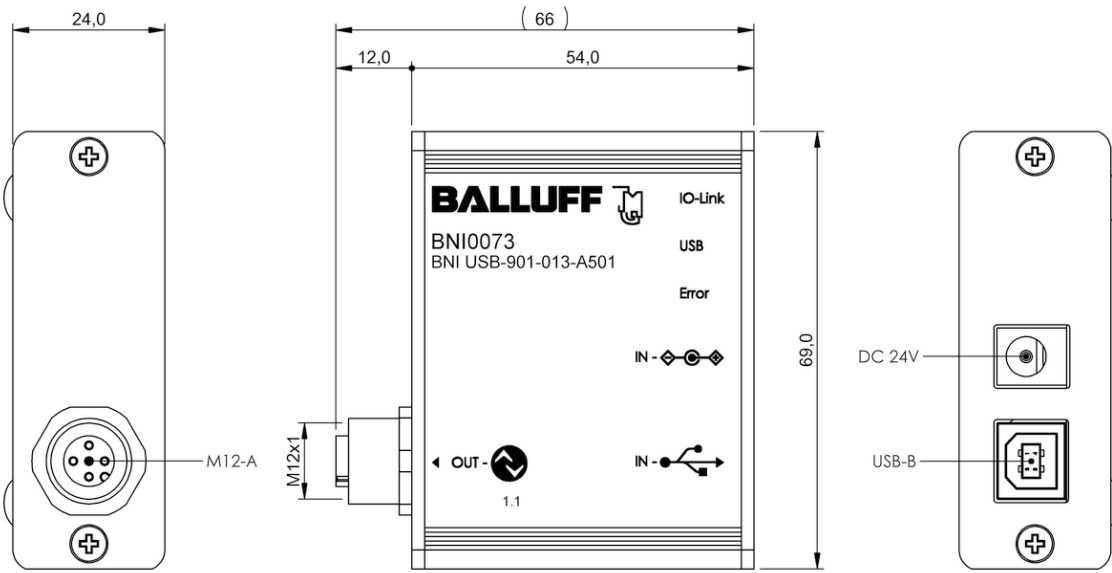
	BAE0070 BES 516-615-PS-1-PU-05
Principle of operation	Signal converter
Additional text	For direct installation
Connection	Cable
Connection for sensor	M12x1-Female, 5-pole, A-coded
Analog inputs	Analog, voltage (0...10 V)
Switching output	3x PNP normally open (NO)
Material	Brass nickel plated
Ambient temperature	-10...70 °C
Protection degree	IP67
Approval/Conformity	CE



BAE0070



	BNI0073 BNI USB-901-013-A501
Interface	IO-Link 1.1
Dimension	66 x 24 x 69 mm
Material	Aluminum
Ambient temperature	-5...55 °C
Protection degree	IP21
Approval/Conformity	CE



BNI0073



	BNI00C9 BNI IOL-717-002-E023	BNI00C8 BNI IOL-725-002-E023	
Version	Analog converter	Analog converter	
Interface	IO-Link 1.1	IO-Link 1.1	
Function	—	—	
Operating voltage U_b	18...30.2 VDC	18...30.2 VDC	
Digital inputs	—	—	
Analog inputs	Analog, voltage/Analog, current/ analog, temperature (0...10 V/ -10...10 V/0...5 V/-5...5 V/5...10 V/4...20 mA/0...20 mA/Pt100/ Pt1000)	—	
Analog outputs	—	Analog, voltage/Analog, current (0...10 V/-10...10 V/0...5 V/-5...5 V/5...10 V/4...20 mA/0...20 mA)	
Configurable inputs/outputs	yes	yes	
Resolution	≤ 16 bits	≤ 16 bits	
Connection	M12x1-Male, 4-pole, A-coded	M12x1-Male, 4-pole, A-coded	
Connection for sensor	M12x1-Female, 5-pole, A-coded	M12x1-Female, 5-pole, A-coded	
Housing material	Stainless steel (1.4305) PTFE	Stainless steel (1.4305) PTFE	
Dimension	Ø 18 x 135.5 mm	Ø 18 x 135.5 mm	
Ambient temperature	-5...70 °C	-5...70 °C	
Protection degree	IP67 when threaded in	IP67 when threaded in	
Approval/Conformity	CE	CE	
Transfer rate	COM2 (38.4 kBaud)	COM2 (38.4 kBaud)	
Process data cycle min.	10 ms	10 ms	
Process data in	3 bytes	—	
Process data out	—	2 bytes	
Productview	Page 614	Page 614	



	BNI00C6 BNI IOL-730-002-E023	BNI00C7 BNI IOL-740-002-E023	BNI00C1 BNI IOL-760-002-E066	BNI0041 BNI IOL-712-000-K023
	Analog converter	Analog converter	RS232 converter	Analog converter
	IO-Link 1.1	IO-Link 1.1	IO-Link 1.1, RS232	IO-Link 1.0
	—	—	—	—
	18...30.2 VDC	18...30.2 VDC	18...30.2 VDC	18...30.2 VDC
	—	—	4x PNP, Type 3	—
	Analog, voltage/Analog, current/ analog, temperature (0...10 V/- 10...10 V/0...5 V/-5...5 V/5...10 V/4...20 mA/0...20 mA/Pt100/ Pt1000/Thermocouple Type J/Thermocouple Type K)	Analog, temperature (Pt100/ Pt1000/Thermocouple Type J /Thermocouple Type K)	—	Analog, current (0...20 mA)
	Analog, voltage/Analog, current (0...10 V/-10...10 V/0...5 V/-5...5 V/5...10 V/4...20 mA/0...20 mA)	—	—	—
	yes	yes	no	no
	≤ 16 bits	≤ 16 bits	—	≤ 14 bits
	M12x1-Male, 4-pole, A-coded	M12x1-Male, 4-pole, A-coded	M12x1 connector, 4-pin	M12x1-Male, 4-pole, A-coded
	M12x1-Female, 5-pole, A-coded	M12x1-Female, 5-pole, A-coded	M12x1-Female, 8-pole, A-coded	M12x1-Female, 4-pole, A-coded
	Stainless steel (1.4305) PTFE	Stainless steel (1.4305) PTFE	Stainless steel (1.4305) PTFE	PA
	Ø 18 x 135.5 mm	Ø 18 x 135.5 mm	Ø 18 x 118 mm	14.2 x 50.4 x 40 mm
	-5...70 °C	-5...70 °C	-5...55 °C	-5...70 °C
	IP67 when threaded in	IP67 when threaded in	IP67 when threaded in	IP67 when threaded in
	CE	CE	CE	CE
	COM2 (38.4 kBaud)	COM2 (38.4 kBaud)	COM2 (38.4 kBaud)	COM2 (38.4 kBaud)
	10 ms	10 ms	35.2 ms	3 ms
	3 bytes	3 bytes	32 bytes	2 bytes
	2 bytes	—	32 bytes	—
	Page 614	Page 614	Page 614	Page 615



	BNI0042 BNI IOL-714-000-K023	BNI004T BNI IOL-716-000-K023	
Version	Analog converter	Analog converter	
Interface	IO-Link 1.0	IO-Link 1.0	
Function	—	—	
Operating voltage U_b	18...30.2 VDC	18...30.2 VDC	
Digital inputs	—	—	
Analog inputs	Analog, voltage (0...10 V)	Analog, Temperature (Pt100)	
Analog outputs	—	—	
Configurable inputs/outputs	no	no	
Resolution	≤ 14 bits	≤ 14 bits	
Connection	M12x1-Male, 4-pole, A-coded	M12x1-Male, 4-pole, A-coded	
Connection for sensor	M12x1-Female, 4-pole, A-coded	M12x1-Female, 4-pole, A-coded	
Housing material	PA	PA	
Dimension	14.2 x 50.4 x 40 mm	14.2 x 50.4 x 40 mm	
Ambient temperature	-5...70 °C	-5...70 °C	
Protection degree	IP67 when threaded in	IP67 when threaded in	
Approval/Conformity	CE	CE	
Transfer rate	COM2 (38.4 kBaud)	COM2 (38.4 kBaud)	
Process data cycle min.	3 ms	12 ms	
Process data in	2 bytes	2 bytes	
Process data out	—	—	
Productview	Page 615	Page 615	



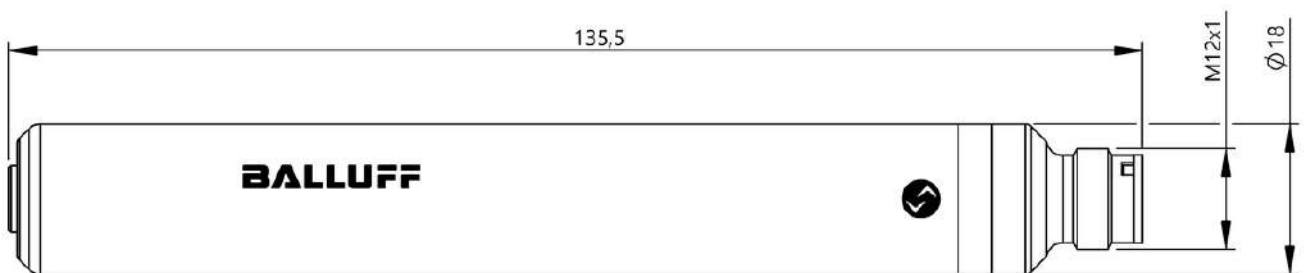
	BNI004C BNI IOL-722-000-K023	BNI004E BNI IOL-724-000-K023	BAE0073 BES 516-IV 2	BAE002E BOS S-C01
	Analog converter	Analog converter	—	—
	IO-Link 1.0	IO-Link 1.0	—	—
	—	—	Pulse lengthening	Part counter (1 pulse per part), Divider (1 pul. per x parts), Switching amplifier up to 400 mA, Flip flop (on/off switch), Switching inverter (NO/NC)
	18...30.2 VDC	18...30.2 VDC	10...30 VDC	10...30 VDC
	—	—	PNP/NPN	PNP
	—	—	—	—
	Analog, current (4...20 mA)	Analog, voltage (0...10 V)	—	—
	no	no	—	—
	≤ 14 bits	≤ 14 bits	—	—
	M12x1-Male, 4-pole, A-coded	M12x1-Male, 4-pole, A-coded	Screw terminal	Connector, M12x1
	M12x1-Female, 4-pole, A-coded	M12x1-Female, 4-pole, A-coded	4-pole	M12x1-Female, 4-pole
	PA	PA	Plastic	PBT PA
	14.2 x 50.4 x 40 mm	14.2 x 50.4 x 40 mm	58 x 90 x 17.5 mm	Ø 20 x 60 mm
	-5...70 °C	-5...70 °C	0...60 °C	0...60 °C
	IP67 when threaded in	IP67 when threaded in	IP20, IP40	IP67
	CE	CE	CE	CE
	COM2 (38.4 kBaud)	COM2 (38.4 kBaud)	—	—
	12 ms	12 ms	—	—
	2 bytes	2 bytes	—	—
	2 bytes	2 bytes	—	—
	Page 615	Page 615	Page 615	Page 616



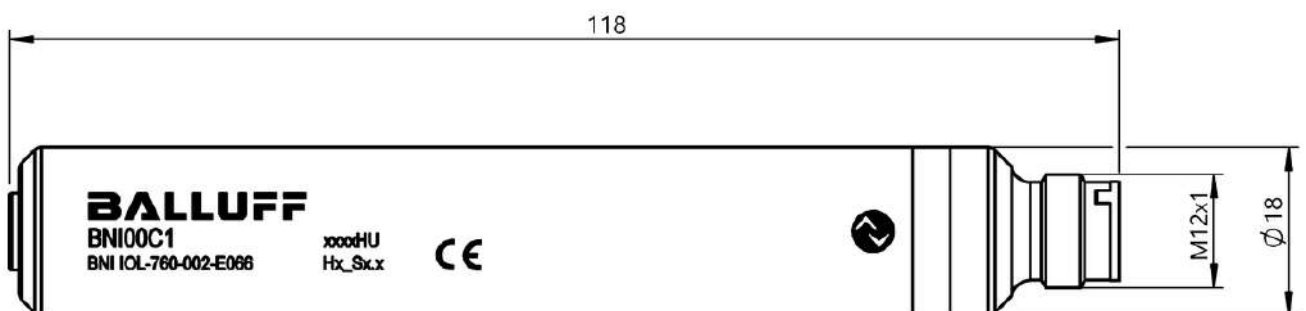
	BAE002H B0S S-F01	BAE002J B0S S-F02	
Function	Switching amplifier up to 400 mA, Output converter (PNP/NPN), Switching inverter (NO/NC)	Switching amplifier up to 400 mA, Output converter (PNP/NPN), Switching inverter (NO/NC)	
Operating voltage U_b	10...30 VDC	10...30 VDC	
Digital inputs	PNP	NPN	
Connection	Connector, M12x1	Connector, M12x1	
Connection for sensor	M12x1-Female, 4-pole	M12x1-Female, 4-pole	
Housing material	PBT PA	PBT PA	
Dimension	Ø 20 x 60 mm	Ø 20 x 60 mm	
Ambient temperature	0...60 °C	0...60 °C	
Protection degree	IP67	IP67	
Approval/Conformity	CE	CE	
Productview	Page 616	Page 616	



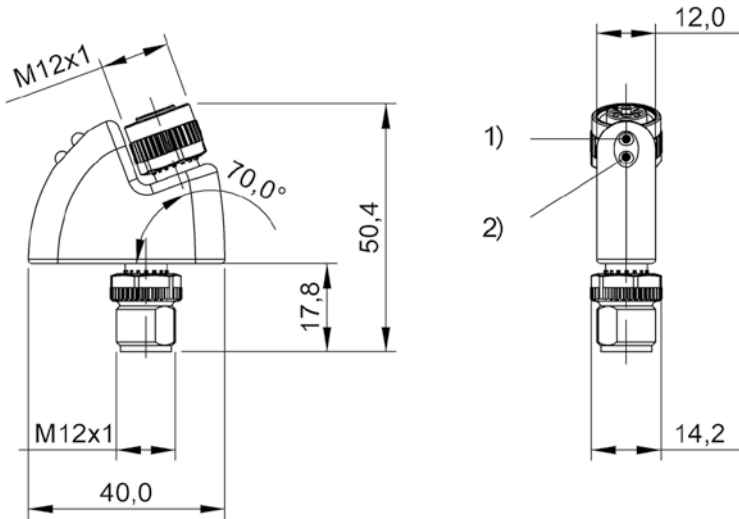
	BAE002K BOS S-M01	BAE002L BOS S-M02	BAE002M BOS S-T01	BAE002N BOS S-T02
	Frequency monitor up to 1 kHz, Switching amplifier up to 400 mA	Frequency monitor up to 1 kHz, Switching amplifier up to 400 mA	Switching amplifier up to 400 mA, Timer on/off delay	Switching amplifier up to 400 mA, Timer on/off delay
	10...30 VDC	10...30 VDC	10...30 VDC	10...30 VDC
	PNP	NPN	PNP	NPN
	Connector, M12x1	Connector, M12x1	Connector, M12x1	Connector, M12x1
	M12x1-Female, 4-pole	M12x1-Female, 4-pole	M12x1-Female, 4-pole	M12x1-Female, 4-pole
	PBT PA	PBT PA	PBT PA	PBT PA
	Ø 20 x 60 mm	Ø 20 x 60 mm	Ø 20 x 60 mm	Ø 20 x 60 mm
	0...60 °C	0...60 °C	0...60 °C	0...60 °C
	IP67	IP67	IP67	IP67
	CE	CE	CE	CE
	Page 616	Page 616	Page 616	Page 616



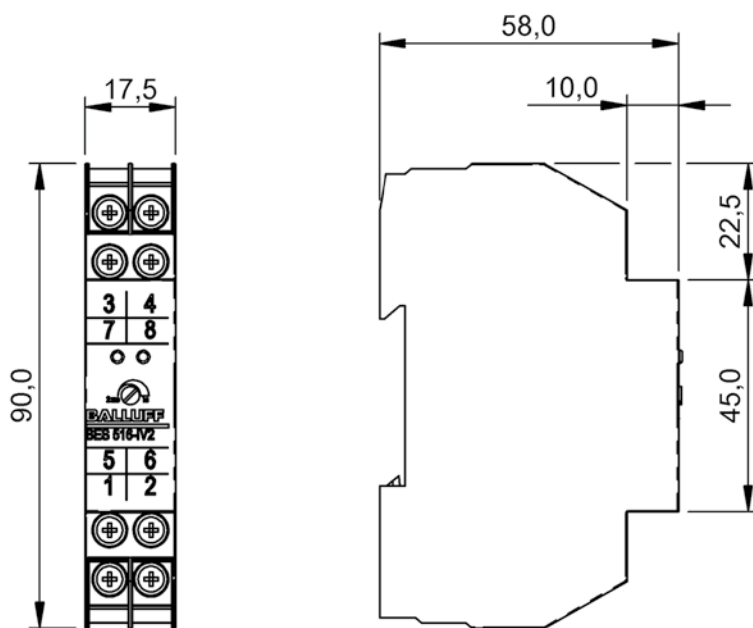
BNI00C9, BNI00C8, BNI00C6, BNI00C7



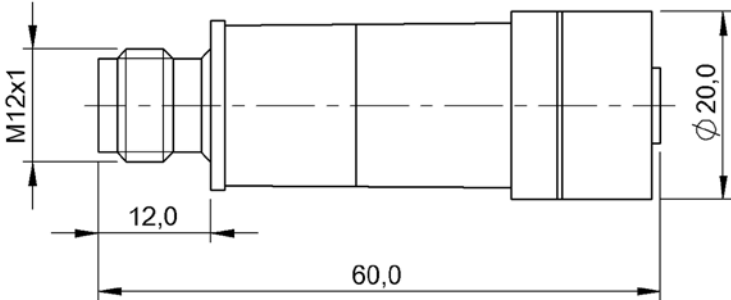
BNI00C1



BNI0041, BNI0042, BNI004T, BNI004C, BNI004E



BAE0073



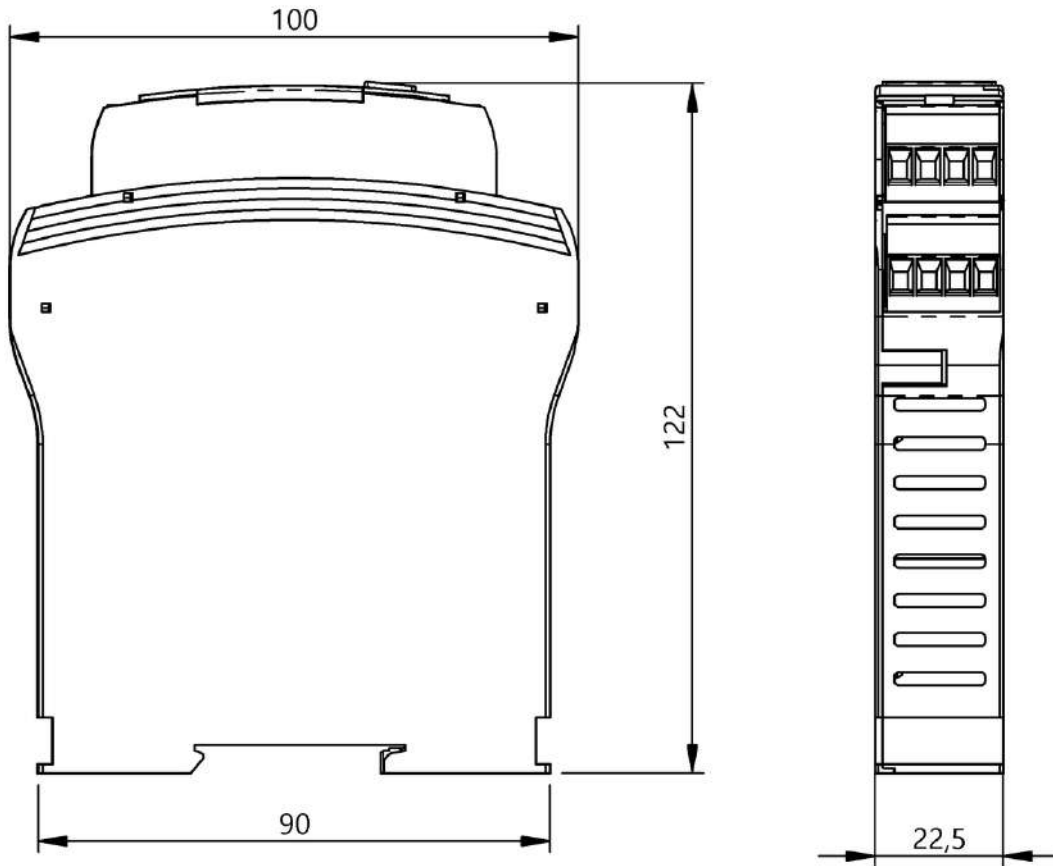
BAE002E, BAE002H, BAE002J, BAE002K, BAE002L, BAE002M, BAE002N



	BAE00ZU BAE SA-XE-051-XR	
Use	—	
Operating voltage U_b	21.6...26.4 VDC	
Ambient temperature	-20...60 °C	
Protection degree	IP20	
Approval/Conformity	CE, EAC	
Productview	Page 620	



	BAE00ZY BAE SA-XE-052-XR	BAE00ZW BAE SA-XE-053-XR
	—	—
	103.5...126.5 VAC	207...253 VAC
	-20...60 °C	-20...60 °C
	IP20	IP20
	CE, EAC	CE, EAC
	Page 620	Page 620



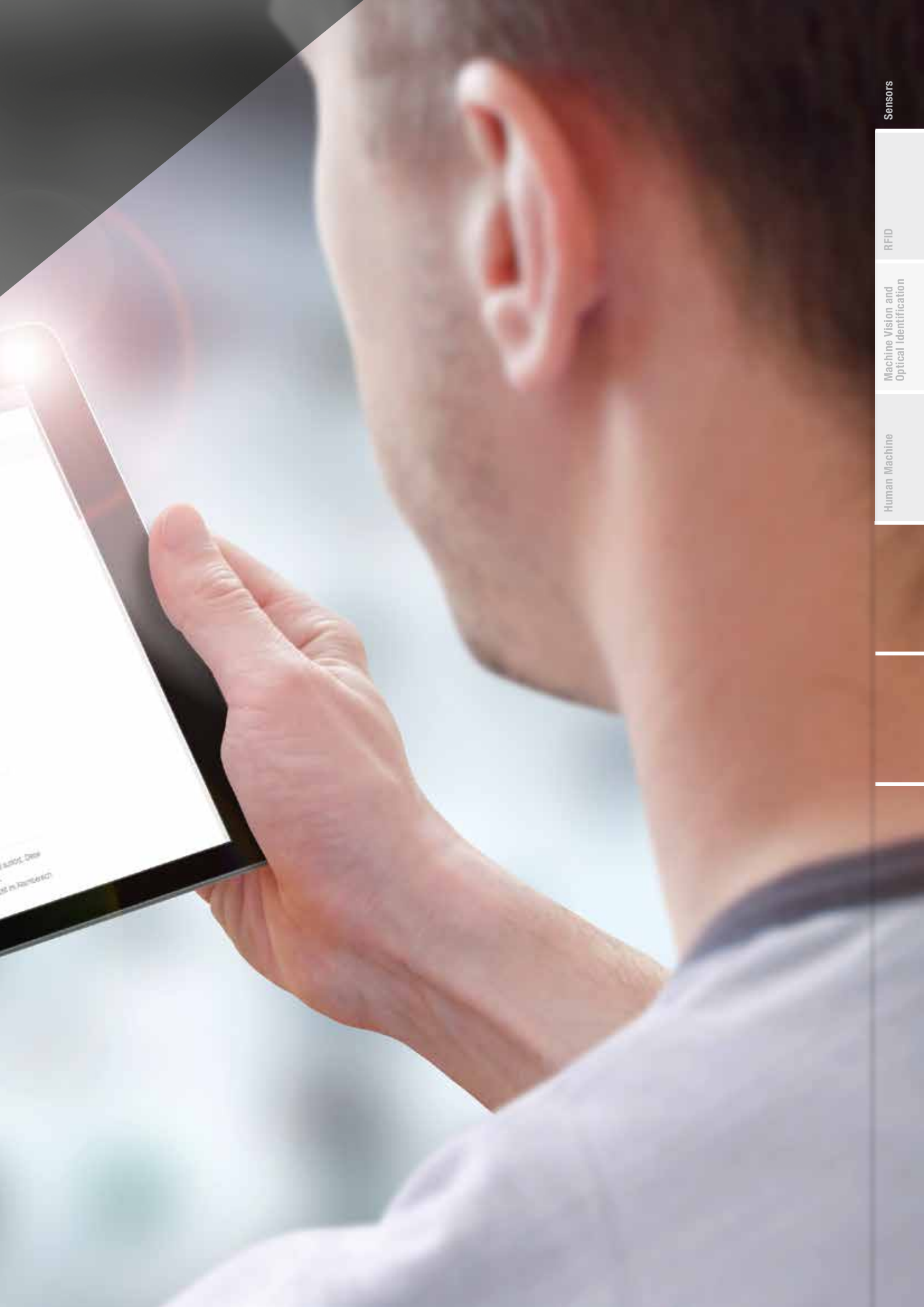
1) Sensing surface

BAE00ZU, BAE00ZY, BAE00ZW

Accessories

BASICS AND GLOSSARY





...sidos, Desu
...at in f...erich

Sensors

RFID

Machine Vision and
Optical Identification

Human Machine

FASTENERS

Mounting of mounting clamps

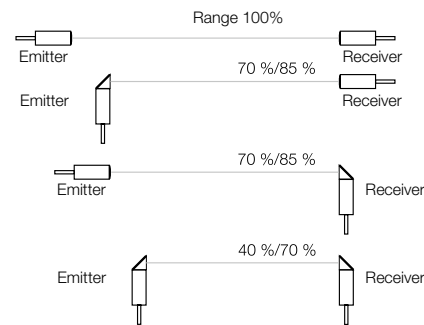
Small sensors or fiber optics are used in compact systems. In some situations, they are the only option. Tight spaces under demanding conditions often make positioning of the miniature sensors difficult. The mounting clamps demonstrate their diversity by holding a range of different sensors and fiber optics. They are extremely stable, variable and flexible. With just a few work steps, sensors and fiber optics can be mounted on housings or base plates.

- Mounting clamps for smooth sensors and fiber optics:
Ø 3 mm, Ø 4 mm, Ø 6.5 mm, Ø 8 mm
- Simple and economical mounting
- Minimal wall thickness for internal threaded bore: 2 mm

ACCESSORIES FOR PHOTOELECTRIC SENSORS

Deflection heads, suitable combinations

All BOS 18 photoelectric sensors can be equipped with a 90° deflection head. The table shows the appropriate deflection head for each switch type and indicates the corresponding reduction factor (RF) to apply to the range. With a through-beam sensor, the emitter and the receiver can be equipped with a 90° deflection head. Each deflection head reduces the range by approx. 15...50 %.

**Diagonal mirrors**

When using the diagonal mirror, the sensing range is reduced by 30% for the M12 diffuse and M12 through-beam sensors. Not suitable for retroreflective sensors.

LIGHTS

What should the distance between the light and the component be?

The intensity of illumination on an object decreases quadratically with the working distance. Therefore objects that are farther away appear darker than closer objects. A bright object should be inspected, for example, once at a distance of 10 cm and once at 100 cm. The brightness of the object at 10 cm is 100 times greater than at a distance of 100 cm. Select the optimum distance between the light source, sensor and target object. In order to prevent saturation, make sure that the brightness of the light source is correct.

How should reflective components be illuminated?

When inspecting highly reflective surfaces, the sensor must be mounted with extreme care. If necessary, attach an external light to a suitable bracket in order to maximize the contrast between the object to be detected and the background.

How can the illumination of the part to be inspected be kept constant?

Avoid fluctuations in brightness due to ambient light, sunlight or other external light sources. These fluctuations are the most frequent cause of errors in image processing and are often difficult to identify. Errors can be limited by decreasing the exposure time of the sensor. External lighting may be required in addition to the light inside the sensor. Alternative solutions include covers or any kind of physical screen that specifically controls the light within the inspection area.

How should the field of view be illuminated?

The entire image area should be illuminated as evenly as possible. Avoid extremely bright points or dark areas. The component features you wish to inspect should, however, contrast as much as possible and show up clearly on the background. If you want to check for the presence of a certain feature, you can illuminate the component so that a clear shadow is cast upon the function to be identified. The Vision Sensor can then detect the feature.

MATERIALS

Material	Use and characteristics
PLASTICS	
ABS Acrylonitrile-Butadiene-Styrene	Impact-resistant, stiff, limited chemical resistance. Some types flame-retardant. Housing material.
AES/CP Acrylonitrile-Ethylene-Propylene-Styrene	Impact-resistant, stiff, limited chemical resistance. Housing material.
EP Epoxy resin	Duromer, molded plastic material, highest mechanical strength and temperature resistance. Very good dimensional stability. Cannot be melted.
Epoxy resin - hollow glass spheres	Hollow glass spheres can be treated with epoxy resins. They are used for manufacturing converters with low density and high pressure rating.
FEP Tetrafluoroethylene-perfluorpropylene	High temperature resistance up to 180 °C, insulation material for cable.
LCP Liquid Crystalline Polymer	High mechanical strength and temperature resistance. Very good chemical resistance. Inherently non-flammable.
PA Polyamide	High impact resistance, good chemical resistance.
PA 6, PA 66, PA mod., PA 12 Polyamide	Good mechanical strength. Temperature resistance. PA 12 approved for food industry applications.
PA transp. Transparent polyamide	Transparent, hard, inflexible. Good chemical resistance.
PBT Polybutylene terephthalate	High mechanical strength and temperature resistance. Some types flame-retardant. Good chemical resistance. Good oil resistance.
PC Polycarbonate	Clear, hard, elastic and impact resistant. Good temperature resistance. Limited chemical resistance.
PEEK Polyetheretherketone	Thermoplastic. Very high strength and temperature resistance. Good chemical resistance. Can be sterilized, good resistance to ionizing radiation.
PEI Polyetherimide	High mechanical strength and good temperature resistance. Good chemical resistance even with many solvents. Transparent with amber-yellow inherent color (not pigmented).
PET Polyethylene terephthalate	High resistance to breakage, good dimensional stability. Frequently used in the food industry.
PMMA Polymethylmethacrylate	Clear, transparent, hard, scratch-resistant, UV-resistant, mainly for optical applications.
POM Polyoxymethylene	High impact resistance, good mechanical strength. Good chemical resistance.
PP Polypropylene	Very good electrical properties. Impact resistant, tough, mechanically resilient. Very low water uptake. Good to very good chemical resistance.
PPE Polyphenylene ether	Tough, inflexible, high mechanical strength over a wide temperature range. Good chemical resistance. Good hot water resistance.
PSU Polysulfone	High temperature resistance, high impact resistance, good chemical resistance, FDA approved (food grade).
PTFE Polytetrafluoroethylene	Best temperature and chemical resistance, FDA approved (food grade).
PUR Polyurethane	Elastic, abrasion-resistant, impact-resistant. Good resistance to oils, greases, solvents (used for gaskets and cable jackets).
PVC Polyvinyl chloride	Good mechanical strength and chemical resistance (cable).
PVDF Polyvinylidene fluoride	Thermoplastic. High mechanical strength and temperature resistance. Good chemical resistance (similar to PTFE).

Material	Use and characteristics
METAL	
Al Wrought aluminum alloy	Standard-aluminum for machined cutting. Can be anodized. Material for housings and mounting components.
CuZn Brass	Standard-housing material with surface protection.
Stainless steel	Excellent corrosion resistance and strength. Quality 1.4034, 1.4104: Standard-material; quality 1.4305, 1.4301: Standard-material for the food industry; quality 1.4401, 1.4404, 1.4571: With increased requirements on chemical resistance at elevated temperatures for the food industry.
GD-Al die-cast-aluminum	Low specific gravity. Good strength and resistance. Some types can be anodized.
GD-Zn die-cast-zinc	Good resistance and strength. Usually with protective surface coating.
OTHER	
Glass	Good chemical resistance and strength. Used primarily in optical applications (lenses, cover lenses).
Ceramic	Very good strength and chemical resistance. Electrically insulating. Excellent temperature resistance.

Архангельск (8182)63-90-72
 Астана (7172)727-132
 Астрахань (8512)99-46-04
 Барнаул (3852)73-04-60
 Белгород (4722)40-23-64
 Брянск (4832)59-03-52
 Владивосток (423)249-28-31
 Волгоград (844)278-03-48
 Вологда (8172)26-41-59
 Воронеж (473)204-51-73
 Екатеринбург (343)384-55-89
 Иваново (4932)77-34-06

Ижевск (3412)26-03-58
 Иркутск (395)279-98-46
 Казань (843)206-01-48
 Калининград (4012)72-03-81
 Калуга (4842)92-23-67
 Кемерово (3842)65-04-62
 Киров (8332)68-02-04
 Краснодар (861)203-40-90
 Красноярск (391)204-63-61
 Курск (4712)77-13-04
 Липецк (4742)52-20-81
 Киргизия (996)312-96-26-47

Магнитогорск (3519)55-03-13
 Москва (495)268-04-70
 Мурманск (8152)59-64-93
 Набережные Челны (8552)20-53-41
 Нижний Новгород (831)429-08-12
 Новокузнецк (3843)20-46-81
 Новосибирск (383)227-86-73
 Омск (3812)21-46-40
 Орел (4862)44-53-42
 Оренбург (3532)37-68-04
 Пенза (8412)22-31-16
 Россия (495)268-04-70

Пермь (342)205-81-47
 Ростов-на-Дону (863)308-18-15
 Рязань (4912)46-61-64
 Самара (846)206-03-16
 Санкт-Петербург (812)309-46-40
 Саратов (845)249-38-78
 Севастополь (8692)22-31-93
 Симферополь (3652)67-13-56
 Смоленск (4812)29-41-54
 Сочи (862)225-72-31
 Ставрополь (8652)20-65-13
 Казахстан (772)734-952-31

Сургут (3462)77-98-35
 Тверь (4822)63-31-35
 Томск (3822)98-41-53
 Тула (4872)74-02-29
 Тюмень (3452)66-21-18
 Ульяновск (8422)24-23-59
 Уфа (347)229-48-12
 Хабаровск (4212)92-98-04
 Челябинск (351)202-03-61
 Череповец (8202)49-02-64
 Ярославль (4852)69-52-93